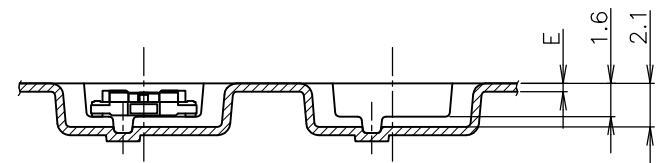
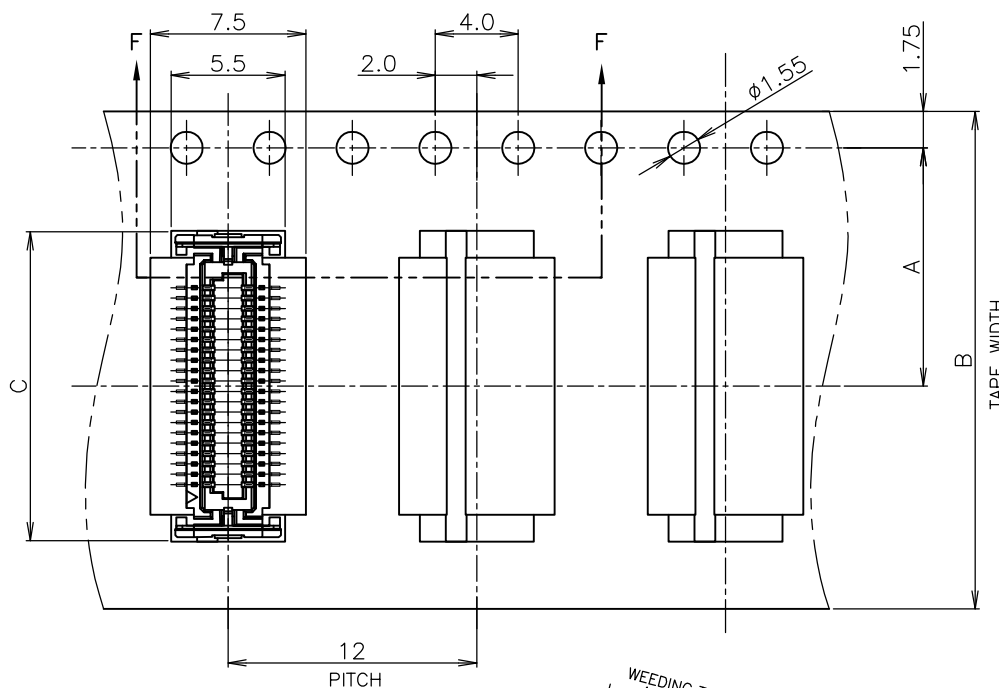
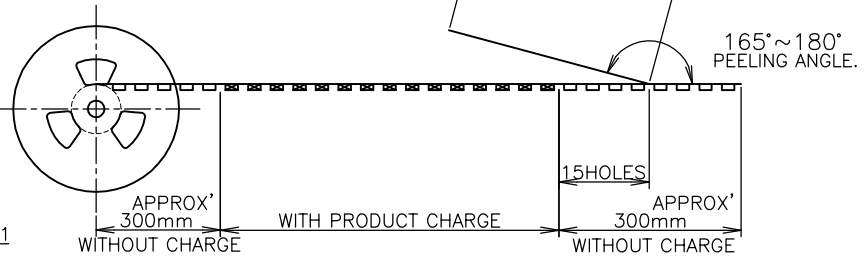
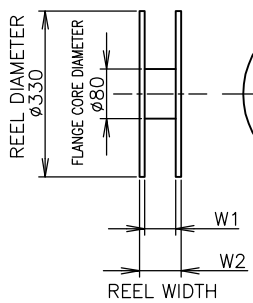


LOC	DIST	REVISIONS					
J		P	LTR	DESCRIPTION	DATE	DWN	APVD
		O	RELEASED	FJB0-1356-04	08NOV04	J.Z	I.E



TOP OF REEL
➔



LEAD FREE

28.4	24.4	0.4	15.0	24	11.5	1500	40	4-5353687-0
28.4	24.4	0.4	12.5	24	11.5	1500	30	3-5353687-0
28.4	24.4	0.4	10.0	24	11.5	1500	20	2-5353687-0
W ₂	W ₁	E	C	B	A	QTY/REEL	POS	TAPING P/N

INSTRUCTION SHEET
411-5781

THIS DRAWING IS A CONTROLLED DOCUMENT.

DWN	08NOV04		Tyco Electronics AMP K.K. Kawasaki, Japan
CHK	08NOV04		
APVD	08NOV04		
NAME	Juiyee Zhu Steven Yao Ikuo Enomoto		
PRODUCT SPEC	108-60048		
APPLICATION SPEC	ON TAPING (EMBOSS) 0.5mm PITCH FS CONN. RECEPTACLE ASSEMBLY WITH KEY & WITHOUT BOSS & POLYIMIDE FILM		
WEIGHT	SIZE	CAGE CODE	DRAWING NO
	A3	00779	C-5353687
CUSTOMER DRAWING	SCALE	SHEET	REV
	4:1	1 OF 2	0

DIMENSIONS:	TOLERANCES UNLESS OTHERWISE SPECIFIED:
MM	
0 PLC	± 0.2
1 PLC	± 0.2
2 PLC	± 0.2
3 PLC	± 0.2
4 PLC	± 0.2
ANGLES	± 3°

4

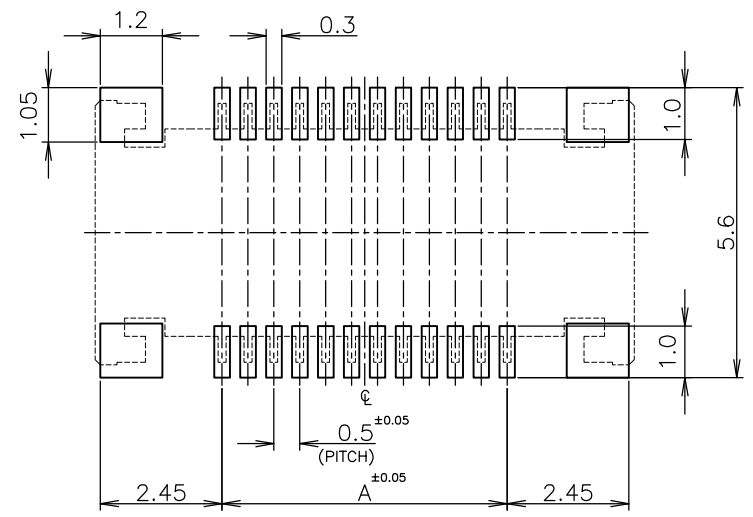
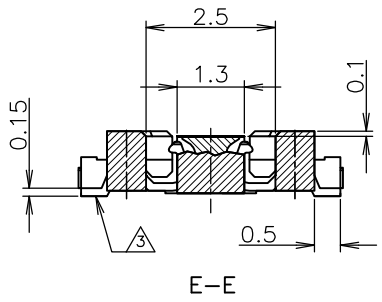
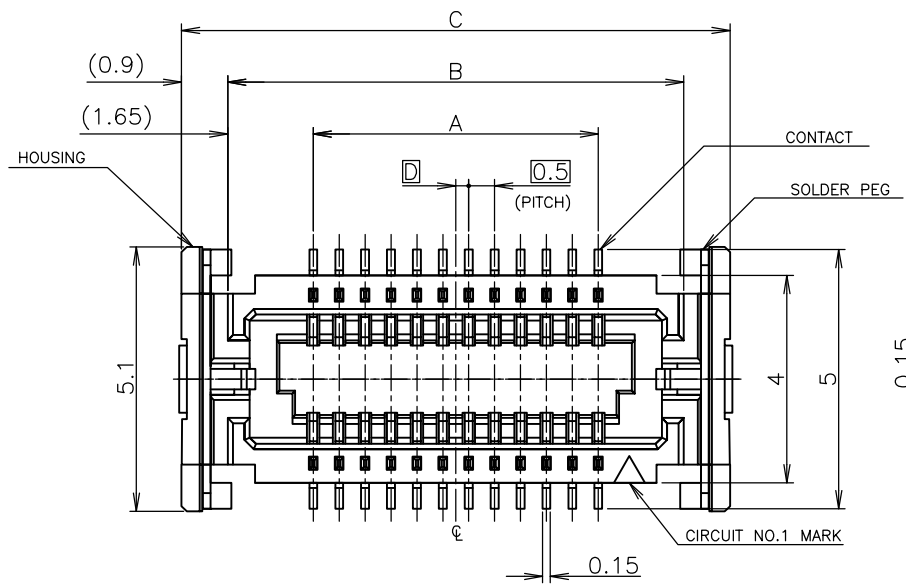
3

2

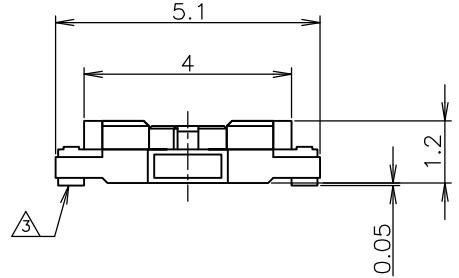
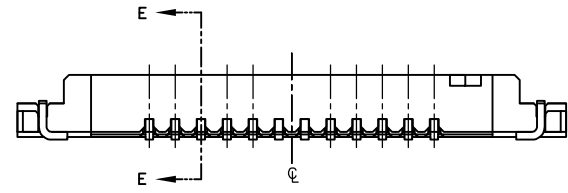
1

THIS DRAWING IS UNPUBLISHED. RELEASED FOR PUBLICATION DEC. 1996.
 © COPYRIGHT 1996 BY TYCO ELECTRONICS CORPORATION. ALL RIGHTS RESERVED.

LOC	DIST	REVISIONS					
J		P	LTR	DESCRIPTION	DATE	DWN	APVD
		-		SEE SHEET 1	-	-	-



(T=0.6 MIN.)
P.C. BOARD LAYOUT (REF.)



LEAD FREE

- 1 MATING COUNTER PART NUMBER : 5353688
- △ MATERIAL
- HOUSING : HIGH HEAT-RESISTED
- CONTACT : COPPER ALLOY (t=0.15), Au-PLT
- SOLDER PEG : COPPER ALLOY (t=0.15), TIN-PLT
- △ MISALIGNMENT BETWEEN TINE & SOLDER PEG : 0.1mm MAX.

0.25	14.6	12.8	9.5	40	4-5353687-0
---	12.1	10.3	7	30	3-5353687-0
0.25	9.6	7.8	4.5	20	2-5353687-0
D	C	B	A	Pos.	PART NO.

THIS DRAWING IS A CONTROLLED DOCUMENT.

DIMENSIONS:		TOLERANCES UNLESS OTHERWISE SPECIFIED:	
MM		0 PLC	± 0.2
		1 PLC	± 0.2
		2 PLC	± 0.2
		3 PLC	± 0.2
		4 PLC	± 0.2
		ANGLES	± 3°
MATERIAL		FINISH	

INSTRUCTION SHEET	WIRE RANGE	INSULATION DIA
411-5781	-	-
DWN	08NOV04	tyco Tyco Electronics AMP K.K.
CHK	08NOV04	
APVD	08NOV04	Electronics Kawasaki, Japan
NAME	Ikuro Enomoto	
PRODUCT SPEC	108-60048	ON TAPING (EMBOSS)
APPLICATION SPEC		0.5mm PITCH FS CONN. RECEPTACLE ASSEMBLY WITH KEY & WITHOUT BOSS & POLYIMIDE FILM
WEIGHT	SIZE	CAGE CODE
	A3	00779
CUSTOMER DRAWING	DRAWING NO	RESTRICTED TO
	C=5353687	-
SCALE	SHEET	REV
10:1	2 OF 2	0