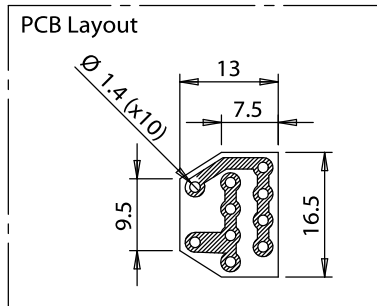
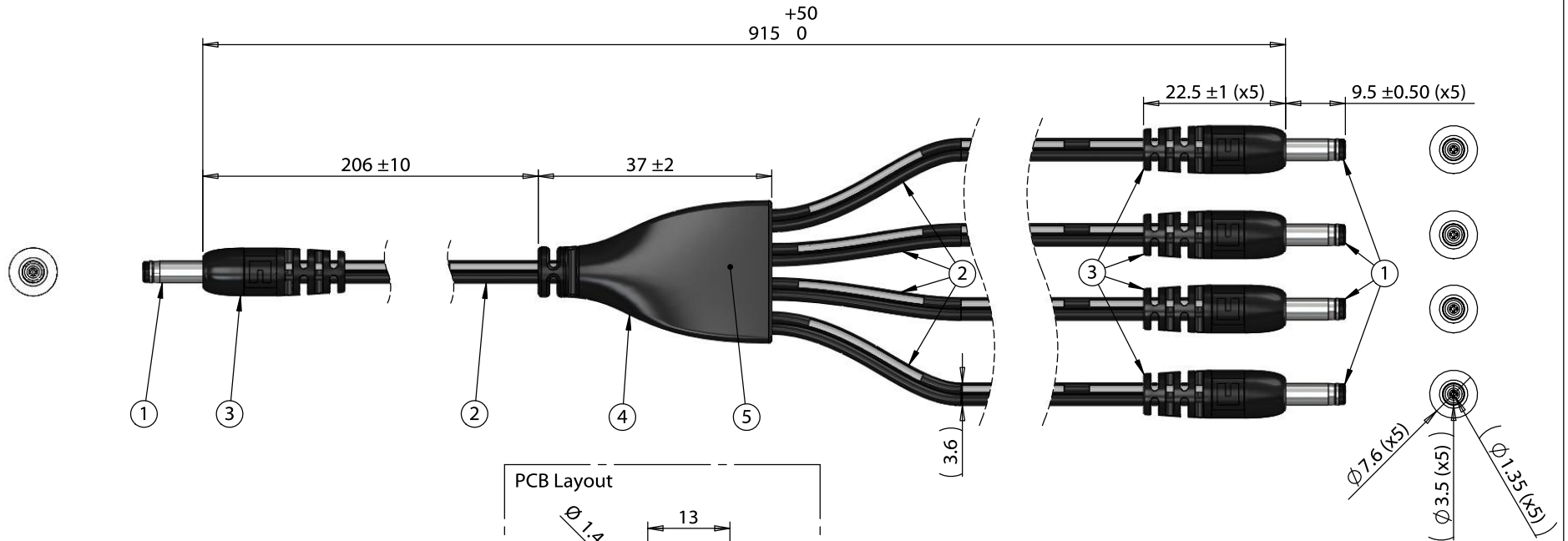


ITEM NO.	PART NUMBER	DESCRIPTION	QTY.	COMPONENT NOTES
1	50-00056	Connector, dc plug, 3.5x1.35xL20mm, molding style, spring contacts	5	
2	30-00003	Wire, 2C BC, 24 AWG, UL2468, 300V, 80C, 3.6 mm, VW-1, PVC, 76A	5	
3	24-00002	Overmold, PVC	5	black
4	24-00219	Overmold, splitter, Ø 8.0 mm by 10.0x22.6 mm	1	black
5	PCB	Splitter PCB, FR4, two-layer, tin, 13.0x16.5x1.6 mm	1	



Wiring Diagram		
50-00056	wire color	50-00056
center	black with stripe	center
sleeve	black	sleeve

Notes:
Functionally equivalent components may be substituted

Revision:	Date:	Description:	Prepared:	Notes:	<h1>TENSILITY</h1>	
A	4/13/2018	Initial release	JP <small>Digitally signed by JP Date: 2018.04.13 16:38:29 -07'00'</small>			RoHS compliant
			Verified:	Function test: no open, no short circuit, no intermittent	tel 1.541.323.3228 800 877.670.7118	
			AW <small>Digitally signed by AW Date: 2018.04.16 16:06:41 -07'00'</small>		fax 1.541.323.4202 web tensility.com	
			Dimensions are in millimeters.	Description:	Size:	
			Tolerances: X: ± 0.5 mm X.X: ± 0.3 mm X.XX: ± 0.05 mm		Cable, 915 mm, 3.5x1.35x9.5 mm 50-00056 dc plug to y-split to 4x 3.5x1.35x9.5 mm dc plug, 24 AWG	Part number:
					A	10-02793
					Scale: 1:1	Sheet 1 of 1

5

4

3

2

1