

4

3

2

1

THIS DRAWING AND THE SUBJECT MATTER SHOWN THEREON ARE CONFIDENTIAL AND THE PROPERTY OF BEL/STEWART/TRP CONNECTOR AND SHALL NOT BE REPRODUCED, COPIED, OR USED IN ANY MANNER WITHOUT THE WRITTEN CONSENT OF TRP CONNECTOR.

PRODUCT MAY BE PROTECTED BY ONE OR MORE OF THE FOLLOWING US PATENTS:  
5736910 5939955 6425781 6428361 6554638 6840817 7123117  
7429195 7717749 7808751 6217391 6149050 7924130

REVISIONS

P	LTR	DESCRIPTION	DATE	DWN	APVD
1		INITIA LRELEASE	25OCT2017	TRY	TY
2		EC-2003015	19MAR2020	TRY	TY

WITH EMI FINGER

URGI54GET GIGABIT CIRCUIT 2 3

C1: 1000pF, 2kV, CAPACITOR;  
C2-C5: 100nF, 50V, CAPACITORS;  
R1-R4: 750hms, 1/16W, RESISTORS

1. MATERIALS  
 USB MATERIALS:  
 HOUSING: THERMOPLASTIC, BLUE, FLAMMABILITY RATING UL 94V-0  
 USB 3.0 CONTACT TYPE 1: PHOSPHOR BRONZE, WITH 1.27um MIN OVERALL NICKEL UNDERPLATE AND SELECTIVE 0.762um MIN GOLD PLATING AT MATING INTERFACE  
 USB 3.0 CONTACT TYPE 2: COPPER BASE ALLOY, WITH 1.27um MIN OVERALL NICKEL UNDERPLATE AND SELECTIVE 0.762um MIN GOLD PLATING AT MATING INTERFACE  
 RJ45 MATERIALS:  
 HOUSING: THERMOPLASTIC, BLACK, FLAMMABILITY RATING UL 94V-0  
 SHIELD: XCX  
 CONTACT: PHOSPHOR BRONZE, WITH 1.27um MIN OVERALL NICKEL UNDERPLATE AND SELECTIVE 1.27um MIN GOLD PLATING AT MATING INTERFACE  
 LED MATERIALS:  
 DIFFUSED EPOXY LENS, CARBON STEEL LEAD FRAME LEADS, PREPLATED WITH 2.03um MIN SILVER OVER 1.02 MIN NICKEL OVER 1.02um MIN COPPER UNDERPLATE, POST PLATED WITH 2.54um MIN MATTE TIN AND/OR 2.54um MIN SAC SOLDER DIP OR PURE TIN SOLDER DIP.

2. MAGNETICS  
 -APPLICATION : 10/100/1000 BASE-T EXTEND TEMPERATURE  
 -IMPEDANCE: 100 OHMS  
 -TURNS RATIO(CHIP:CABLE): 1:1 ALL FOUR PAIRS  
 -OPEN CIRCUIT INDUCTANCE(OCL): 350uH MIN @100kHz, 0.1 VRMS, 8mADC BIAS FROM -40°C TO 85°C, ALL FOUR PAIRS  
 -ALL FOUR PAIRS BI-DIRECTIONAL  
 -PERFORMANCE @ 25°C:  
 INSERTION LOSS (IL): 1.1 dB MAX FROM 0.5MHz TO 100MHz  
 RETURN LOSS (RL): 18dB MIN FROM 0.5MHz TO 40MHz  
 12-20LOG(f/80)dB MIN FROM 40.1 MHz TO 100MHz  
 CROSSTALK ATTENUATION: 35 dB MIN FROM 0.5 MHz TO 40 MHz  
 33-20LOG(f/50) dB MIN FROM 40.1 MHz TO 100 MHz  
 COMMON MODE REJECTION RATIO (CMRR): 30dB MIN FROM 0.5MHz TO 100MHz  
 -ISOLATION VOLTAGE: 2250VDC (MAX) FOR 60 SECONDS WITH A RISE TIME OF 500V/SEC.

3. THE MAGNETIC CIRCUIT ON ALL FOUR CHANNELS IS SYMMETRICAL AND SUPPORTS AUTO-MDIX OPERATION.

4. OPERATING TEMPERATURE: -40°C TO 85°C

5. DATUM Y AND BASIC DIMENSION ESTABLISHED BY CUSTOMER.

6. RJ45 CAVITY CONFORMS TO FCC RULES AND REGULATION PART 68 SUBPART F.

7. TRP CONNECTOR LOGO, PART NUMBER, DATE CODE, COUNTRY OF ORIGIN, AGENCY APPROVAL MARKING IN APPROPRIATE LOCATION SHOWN.  
 DATE CODE: YYWW WHERE "YY" IS YEAR, "WW" IS WORK WEEK, "D" IS DAY OF WEEK, WITH SUNDAY= 1

8. LED IS DRIVEN WITH CONSTANT CURRENT AT APPROX 20mA  
 LED COLOR: DONINANT WAVELENGTH (λD), GREEN = 568±5nm TYP. at IF=20mA  
 FORWARD VOLTAGE(VF), GREEN 2.2V TYP. at IF=20mA.  
 DONINANT WAVELENGTH (λD), ORANGE = 605±5nm TYP. at IF=20mA.  
 FORWARD VOLTAGE(VF), ORANGE 2.1V TYP. at IF=20mA.

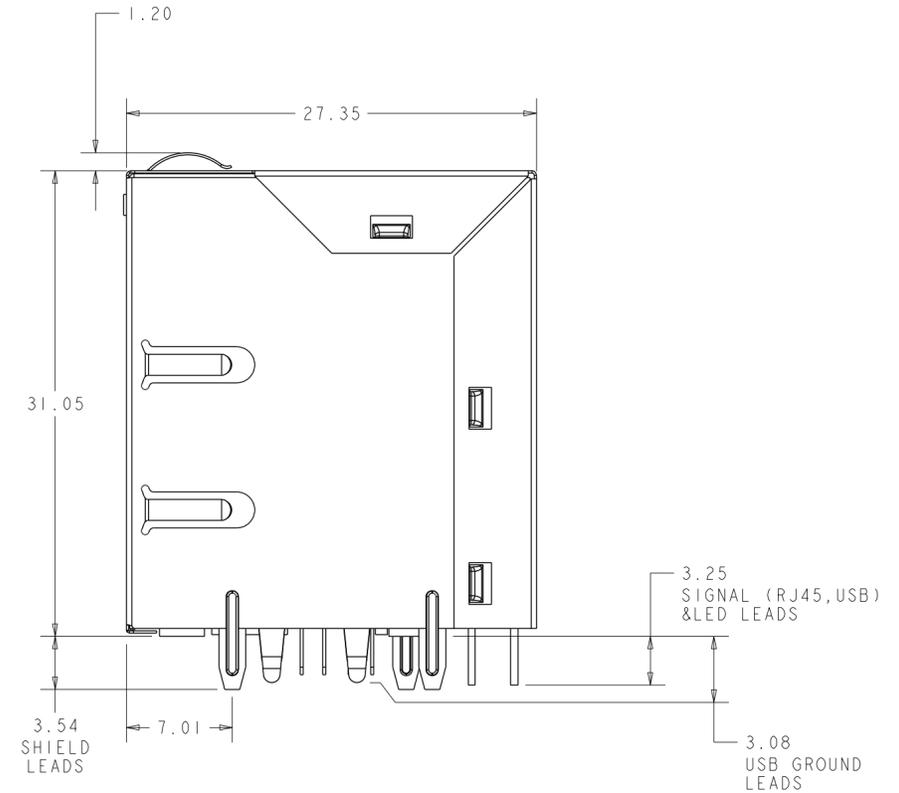
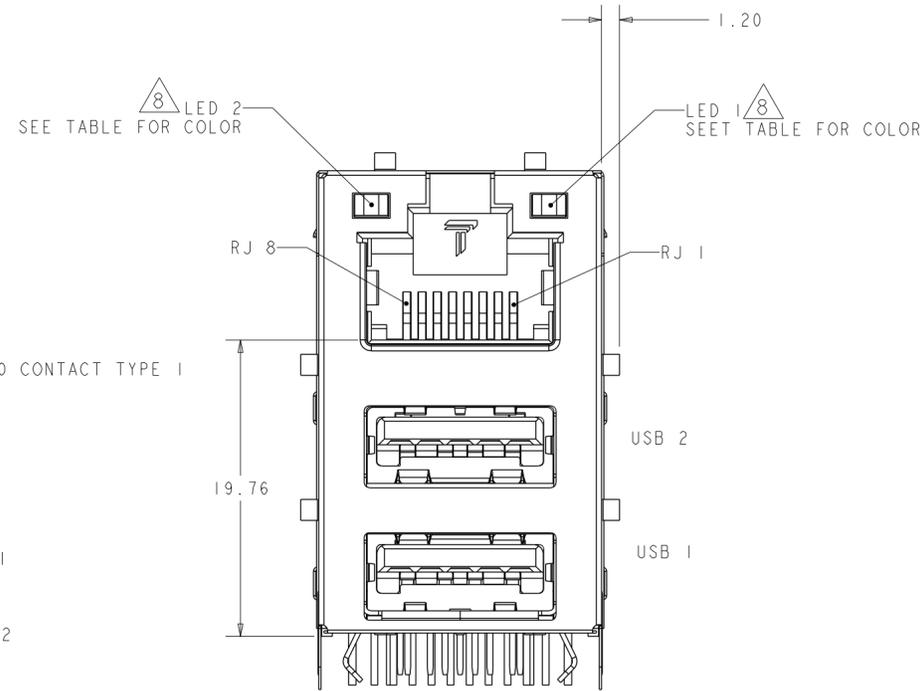
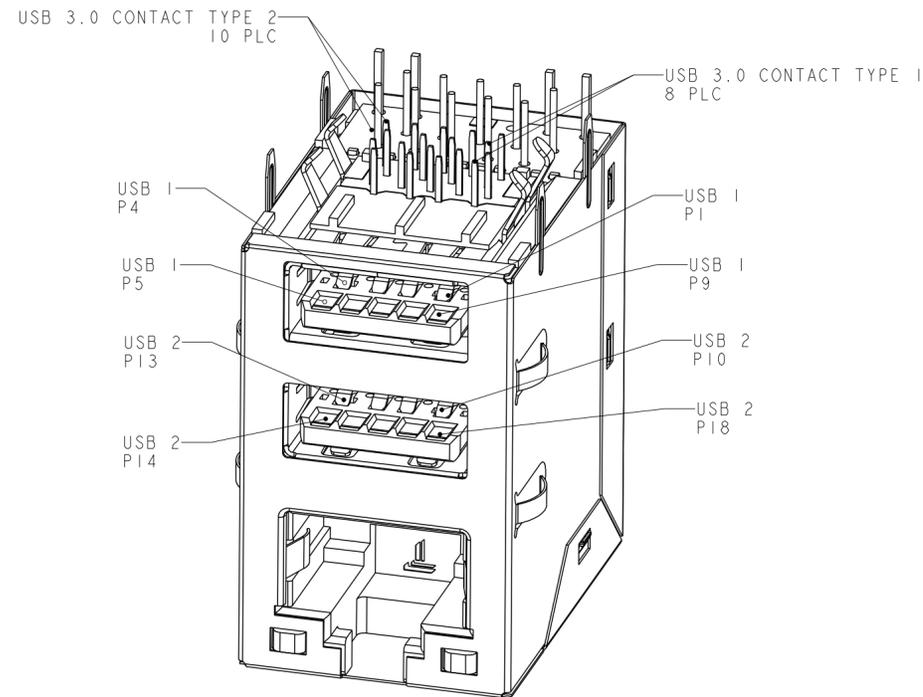
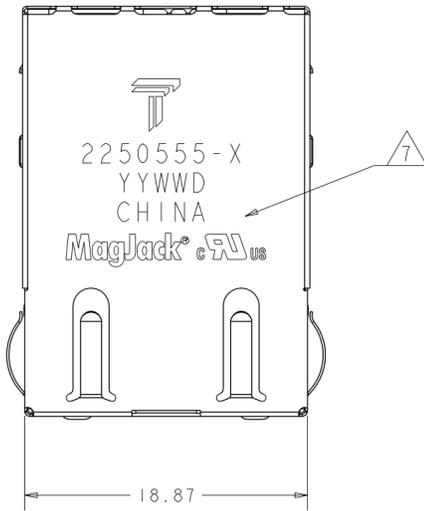
9. PART SHOULD BE COMPLIANT TO WAVE SOLDERING PROCESS, PREHEAT TEMPERATURE IS 120°C TO 160°C, 120 SECONDS TO 180 SECONDS, PEAK SOLDERING TEMPERATURE IS 260°C MAX, 10 SECONDS MAX

10. PART SHOULD BE COMPLIANT TO IR REFLOW SOLDERING PROCESS, PEAK SOLDERING TEMPERATURE 260°C MAX DURATION TIME 10 SECONDS MAX, OVER 230°C WITHIN 40-60 SECONDS.

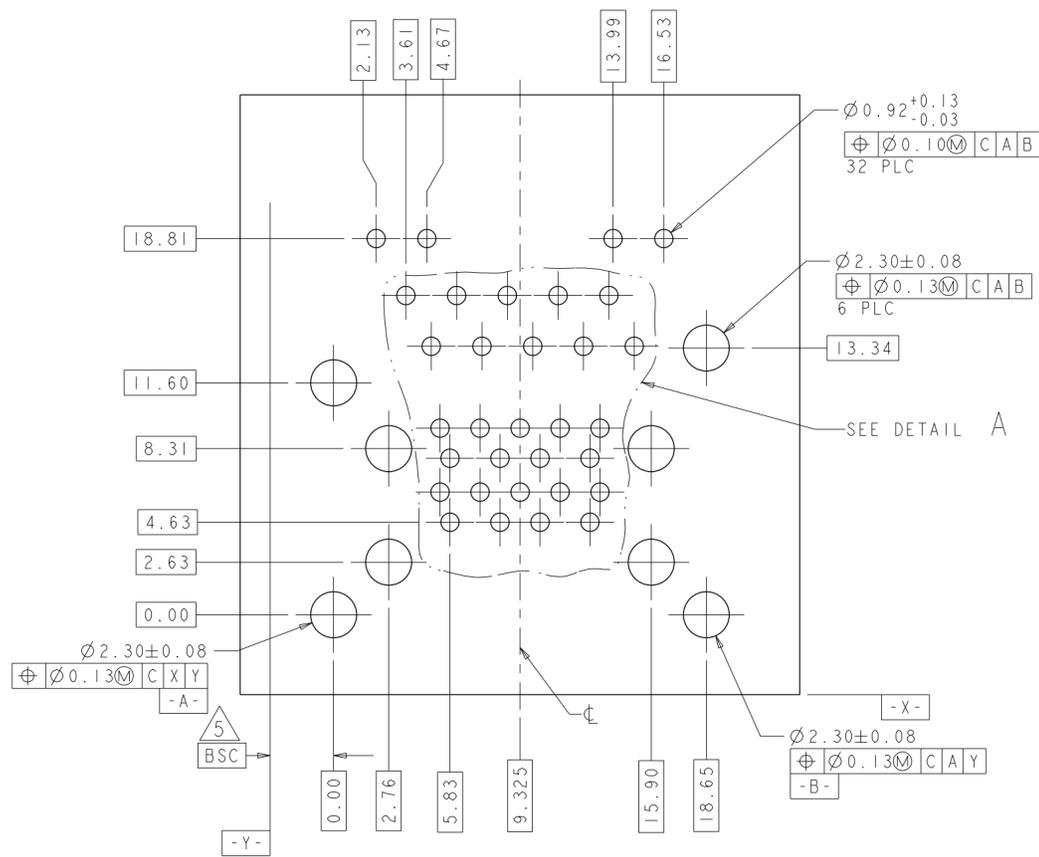
WAVE	GREEN	ORANGE	GREEN	ORANGE	2250555-3
REFLOW	GREEN	ORANGE	GREEN	-	2250555-2
WAVE	GREEN	ORANGE	GREEN	-	2250555-1
SOLDERING PROCESS	LED2		LED1		PART NUMBER

THIS DRAWING IS A CONTROLLED DOCUMENT. AND COMPLIANT TO ASME Y14.5M		DWN TOWER YU / YI LIU 25OCT2017	<b>trp</b> CONNECTOR a bel group DONGGUAN CHINA
DIMENSIONS: mm		CHK BILL LIU 25OCT2017	
TOLERANCES UNLESS OTHERWISE SPECIFIED:		APVD TONY YUAN 25OCT2017	DESC MAGJACK OVER DUAL USB3.0 URGI54GET CIRCUIT, GIGABIT, W/ LEDS
0 PLC ± 1 PLC ± 2 PLC ±0.25 3 PLC ± 4 PLC ± ANGLES ± APPLICATION SPEC		MODEL NAME MAGJACK OVER USB NON-POE	SIZE A2
PRODUCT SPEC 108-104004		DRAWING NO C-2250555	
		CUSTOMER DRAWING	
		SCALE 3:1	SHEET 1 OF 4
		REV 2	

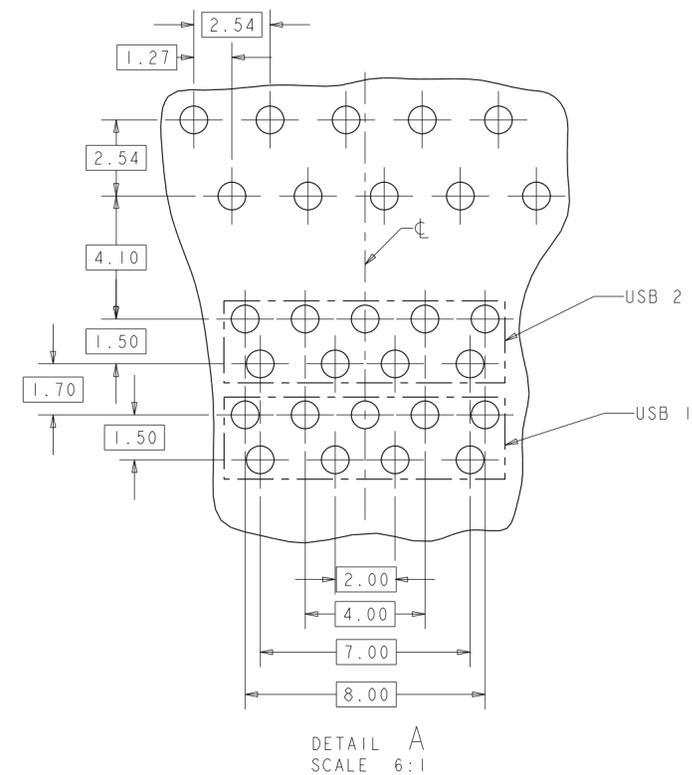
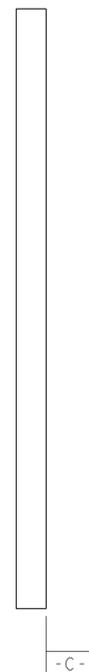
XXXX



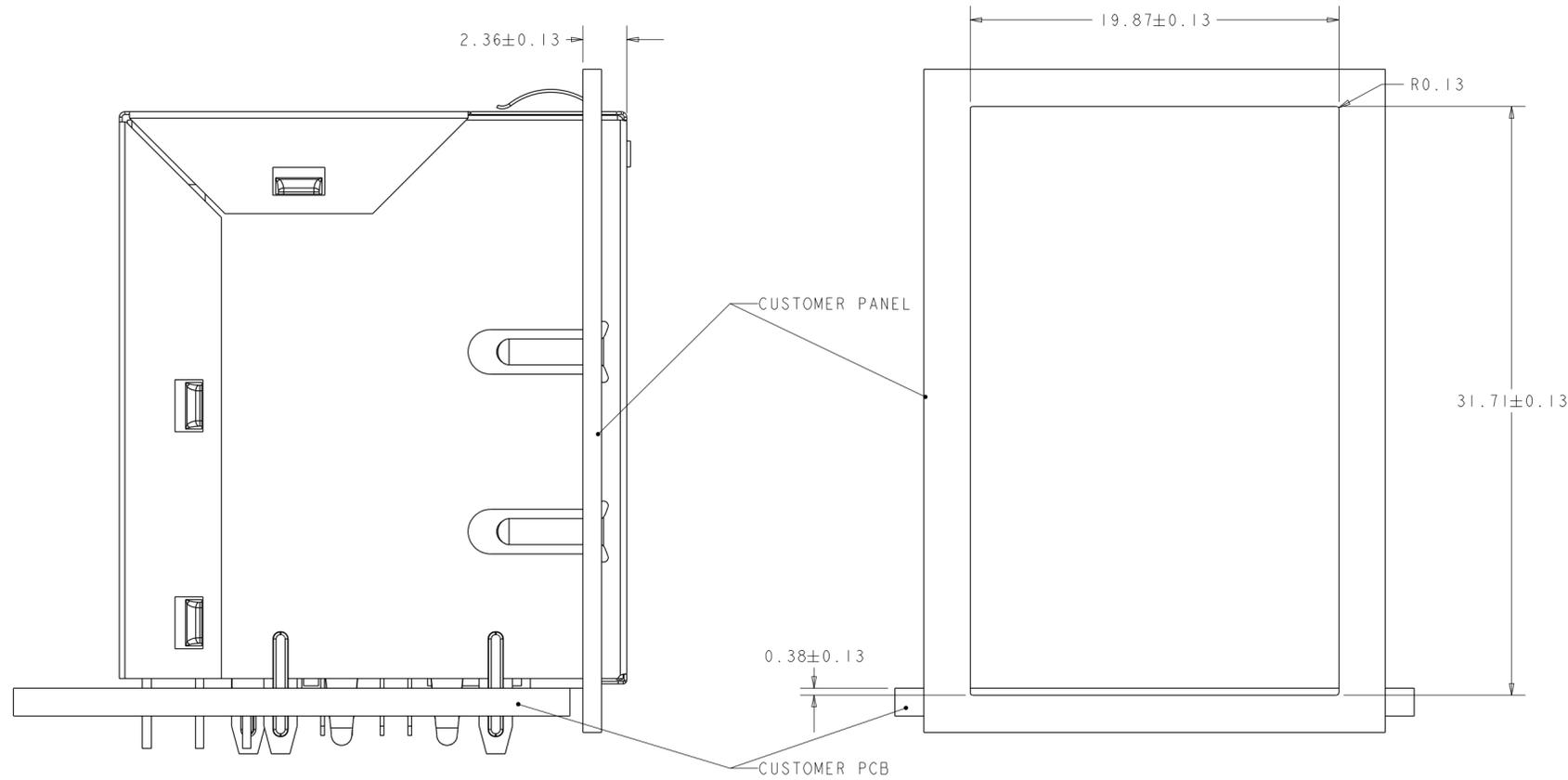
THIS DRAWING IS A CONTROLLED DOCUMENT, AND COMPLIANT TO ASME Y14.5M		DWN TOWER YU / YI LIU	 <b>trp</b> CONNECTOR a bel group DONGGUAN CHINA			
DIMENSIONS: mm		CHK BILL LIU				
TOLERANCES UNLESS OTHERWISE SPECIFIED:		APVD TONY YUAN	DESC MAGJACK OVER DUAL USB3.0 URG154GET CIRCUIT, GIGABIT, W/ LEDS			
0 PLC ± 1 PLC ± 2 PLC ±0.25 3 PLC ± 4 PLC ± ANGLES ± APPLICATION SPEC		MODEL NAME MAGJACK OVER USB NON-POE	SIZE A2	DRAWING NO C-2250555	RESTRICTED TO -	
PRODUCT SPEC 108-104004	-	CUSTOMER DRAWING		SCALE 3:1	SHEET 2 OF 4	REV 2



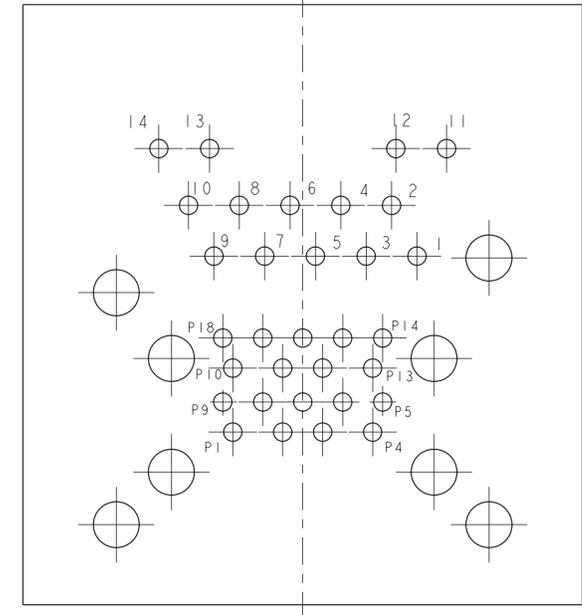
RECOMMENDED PC BOARD LAYOUT (VIEW FROM COMPONENT SIDE)



THIS DRAWING IS A CONTROLLED DOCUMENT. AND COMPLIANT TO ASME Y14.5M		DWN TOWER YU / YI LIU 25OCT2017	 <b>trp</b> CONNECTOR a bel group DONGGUAN CHINA
DIMENSIONS: mm		CHK BILL LIU 25OCT2017	
TOLERANCES UNLESS OTHERWISE SPECIFIED: 0 PLC ± 1 PLC ± 2 PLC ±0.25 3 PLC ± 4 PLC ± ANGLES ± APPLICATION SPEC		APVD TONY YUAN 25OCT2017	DESC MAGJACK OVER DUAL USB3.0 URGI54GET CIRCUIT, GIGABIT, W/ LEDS
PRODUCT SPEC 108-104004		MODEL NAME MAGJACK OVER USB NON-POE	SIZE A2
		CAGE CODE C-2250555	DRAWING NO C-2250555
		SCALE 3:1	SHEET 3 OF 4
		CUSTOMER DRAWING	REV 2

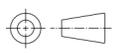


SUGGEST CUSTOMER CUTOUT DIMENSIONS



USB 3.0 STANDARD-A CONNECTOR PIN ASSIGNMENTS

PIN NUMBER	SIGNAL NAME	DESCRIPTION
P1 & P10	VBUS	POWER
P2 & P11	D-	USB 2.0 DIFFERENTIAL PAIR
P3 & P12	D+	
P4 & P13	GND	GROUND FOR POWER RETURN
P5 & P14	STDA_SSRX-	SUPERSPEED RECEIVER DIFFERENTIAL PAIR
P6 & P15	STDA_SSRX+	
P7 & P16	GND_DRAIN	GROUND FOR SIGNAL RETURN
P8 & P17	STDA_SSTX-	SUPERSPEED TRANSMITTER DIFFERENTIAL PAIR
P9 & P18	STDA_SSTX+	

THIS DRAWING IS A CONTROLLED DOCUMENT. AND COMPLIANT TO ASME Y14.5M		DWN TOWER YU / YI LIU 25OCT2017	 <b>trp</b> CONNECTOR a bel group DONGGUAN CHINA
DIMENSIONS: mm		CHK BILL LIU 25OCT2017	
		APVD TONY YUAN 25OCT2017	DESC MAGJACK OVER DUAL USB3.0 URGI54GET CIRCUIT, GIGABIT, W/ LEDS
TOLERANCES UNLESS OTHERWISE SPECIFIED: 0 PLC ± 1 PLC ± 2 PLC ±0.25 3 PLC ± 4 PLC ± ANGLES ± APPLICATION SPEC		MODEL NAME MAGJACK OVER USB NON-POE	SIZE A2
PRODUCT SPEC 108-104004		DRAWING NO C-2250555	
		RESTRICTED TO -	
		CUSTOMER DRAWING	
		SCALE 3:1 SHEET 4 OF 4 REV 2	