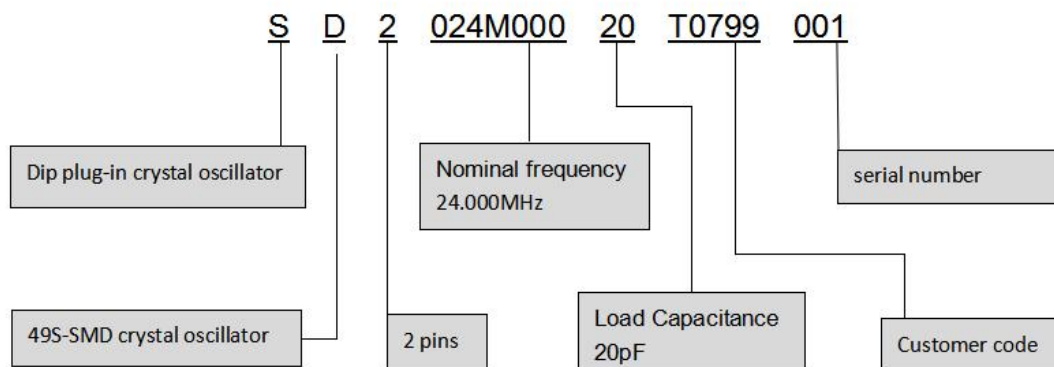


Features
Frequency range :
External dimensions (mm)
L : 9.85 x W : 4.7 x H : 3.8

Electrical Characteristics

NO.	Parameters		Specifications	Notes
1	Nominal frequency	F0	4.000~40.000MHz	Or customizable
2	Mode of Oscillation	-	Fundamental	AT-CUT
3	Load Capacitance	CL	4~30pF	Or customizable
4	Frequency Tolerance	FL	± 30ppm	Or customizable
5	Frequency Stability	TC	± 30ppm	Or customizable
6	Operating Temperature	-	-20℃~+70℃	Or customizable
7	Drive Level	DL	100uW	Or customizable
8	Effective Resistance	RR	40Ω	Or customizable
9	Shunt Capacitance	C0	≤7.0pF	Or customizable
10	Insulation Resistance	IR	≥500M Ω	at DC 100V
11	Spurious Ratio	SPDB	≤-3dB	F0±500KHz
12	Aging	-	± 5ppm	Or customizable
13	Storage Temperature Range	-	-40~+105℃	

★Note: If you need customization, please communicate with us.

Ordering Information


地址：安徽省合肥市经开区云谷路 2569 号

ADD: No. 2569 YunGu Road, HeFei Economy & Technology Development District

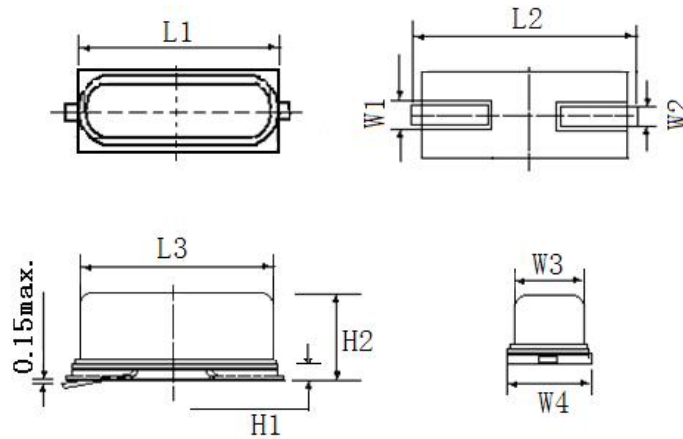
chhangyuan@hfjwt.cn
<http://www.hfjwt.cn>



SPECIFICATION FOR APPROVAL

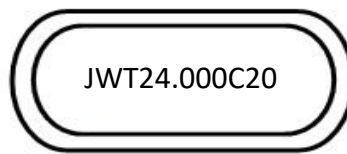
CRYSTAL UNIT

Dimensions



CODE	L1	L2	L3	H1	H2
DIMENSIONS	11.4±0.3	12.6±0.3	9.85±0.2	0.55±0.05	3.8±0.3
CODE	W1	W2	W3	W4	
DIMENSIONS	0.95±0.2	0.75±0.2	3.5±0.2	4.7±0.2	

Marking



JWT ----- Logo
 24.000 ----- Frequency
 C20 ----- Load Capacitance

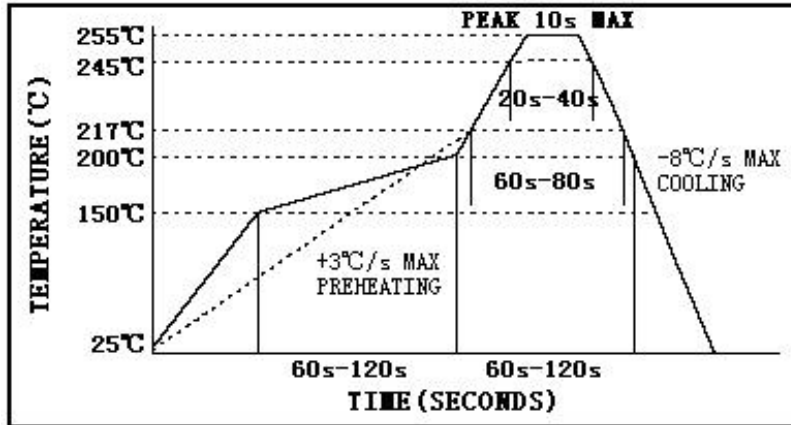
地址：安徽省合肥市经开区云谷路 2569 号

ADD: No. 2569 YunGu Road, HeFei Economy & Technology Development District

chhangyuan@hfjwt.cn

<http://www.hfjwt.cn>

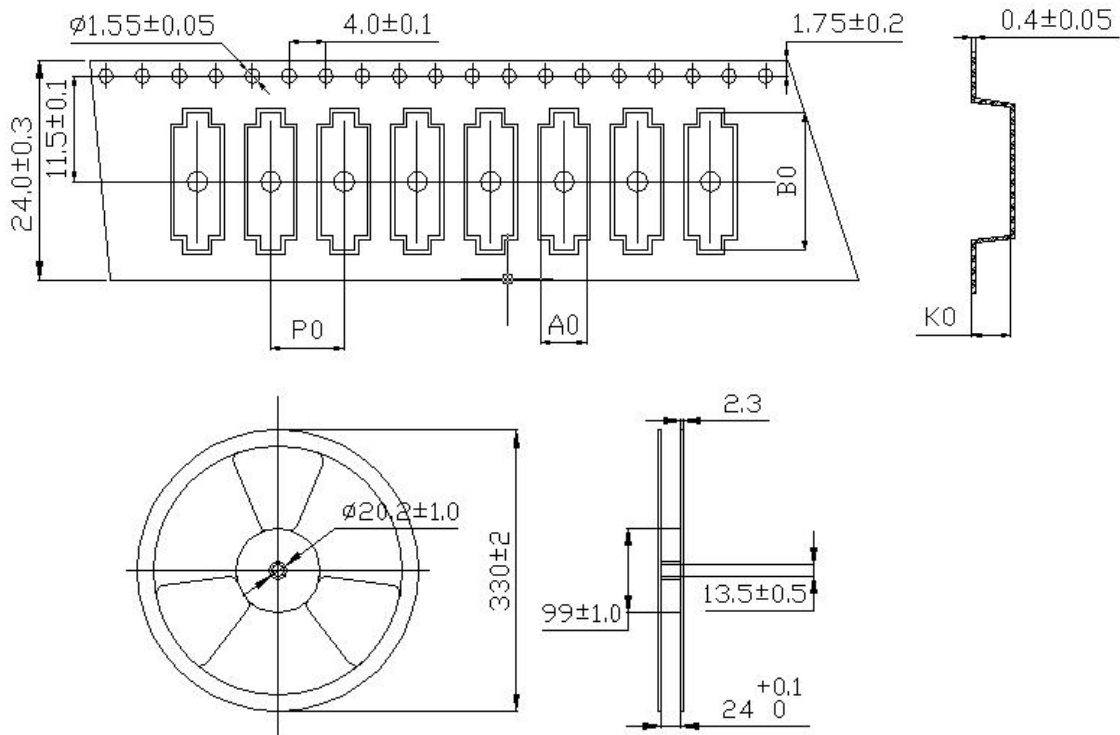
Reflow Profile



Solder melting point : 217 °C, 60 sec. Min.

Peak Temperature: 250± 5 °C, 10 sec. Max.(lead free)

Dimension of taping and reel



Type	A ₀	B ₀	P ₀	K ₀
■ SD	5.0±0.1	15.0±0.1	8.0±0.1	4.25±0.2
□ XD	5.0±0.1	15.0±0.1	8.0±0.1	3.5±0.2

地址：安徽省合肥市经开区云谷路 2569 号

ADD: No. 2569 YunGu Road, HeFei Economy & Technology Development District

chhangyuan@hfjwt.cn

<http://www.hfjwt.cn>