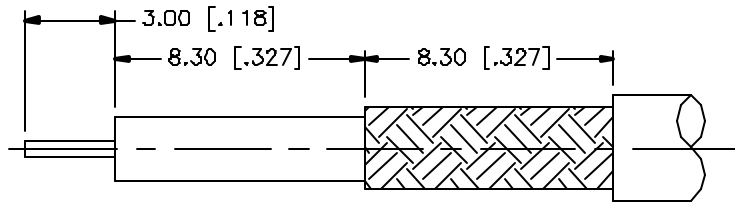
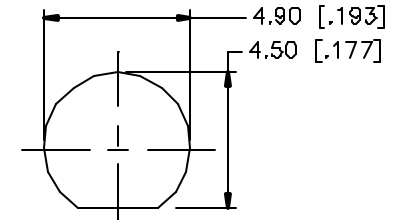


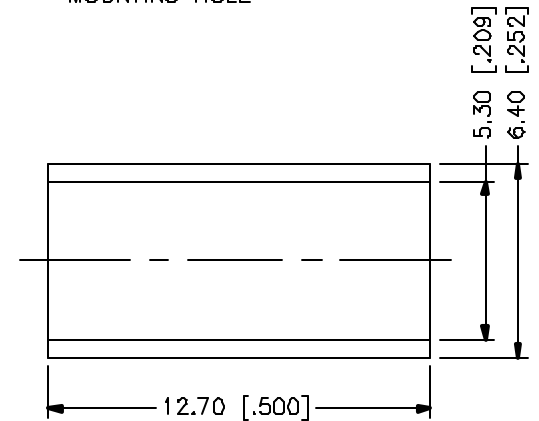
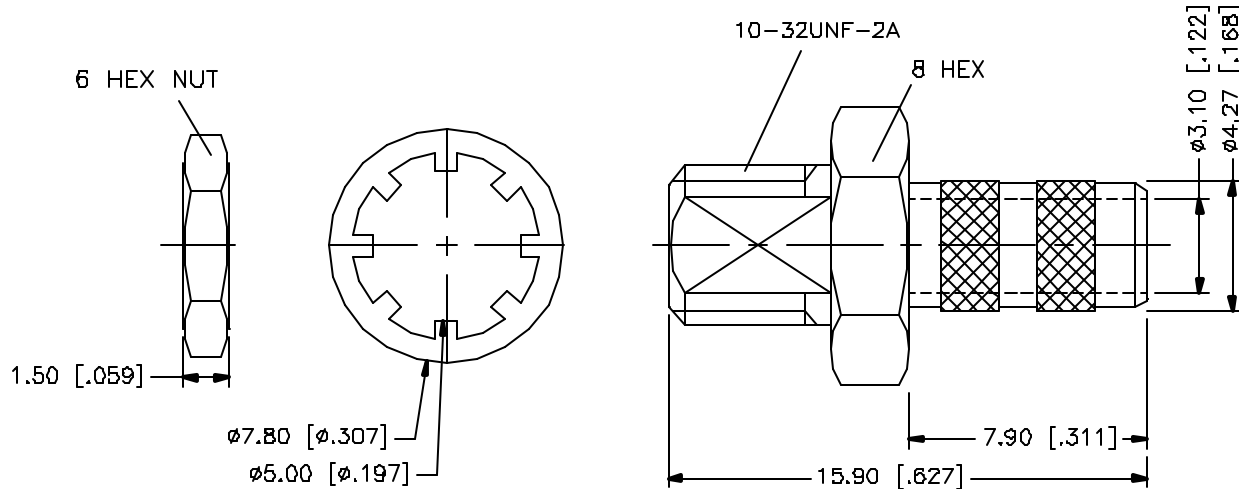
REV.	DATE	DESCRIPTION
A	04/03/05	UPDATE DRAWING FORMAT



RECOMMENDED
CABLE STRIPPING DIM'S



RECOMMENDED
MOUNTING HOLE



CRIMP NOTES:

1. CRIMPED FERRULE
HEX CRIMP SIZE .213*

REV.	DATE	DESCRIPTION
A	04/03/05	UPDATE DRAWING FORMAT
8		
7		
6		
5		
4	FERRULE	COPPER
3	HEX NUT	BRASS
2	LOCK WASHER	BRASS
1	BODY	BRASS
	DESCRIPTION	MATERIAL
		FINISH
		QTY
<small>UNLESS OTHERWISE SPECIFIED DIMENSIONS ARE IN MILLIMETERS. DIMENSIONS IN [] ARE IN INCHES AND FOR CUSTOMER REFERENCE ONLY.</small> <small>UNLESS OTHERWISE SPECIFIED TOLERANCES FOR MILLIMETERS ARE: 0.5 - 8mm ± 0.20mm 8 - 30mm ± 0.40mm 30 - 120mm ± 0.50mm</small> <small>UNLESS OTHERWISE SPECIFIED TOLERANCES FOR INCHES ARE: .020 - .315 = ± 0.007" .315 - 1.180 = ± 0.015" 1.180 - 4.724 = ± 0.020"</small>		
APPROVALS		DATE
DRAWN G.R.S.		04/03/05
CHECKED		
ISSUED		
SHEET 1 OF 1		
CAD FILE C:/142/214-2271.DWG		
Amphenol Connex PART DESCRIPTION BULKHEAD CABLE TERMINATION (FOR RG-58C/U, 58/U CABLE)		
PART NO. 142271		
DWG. NO. 142271	REV. A	SIZE A
		SCALE NA