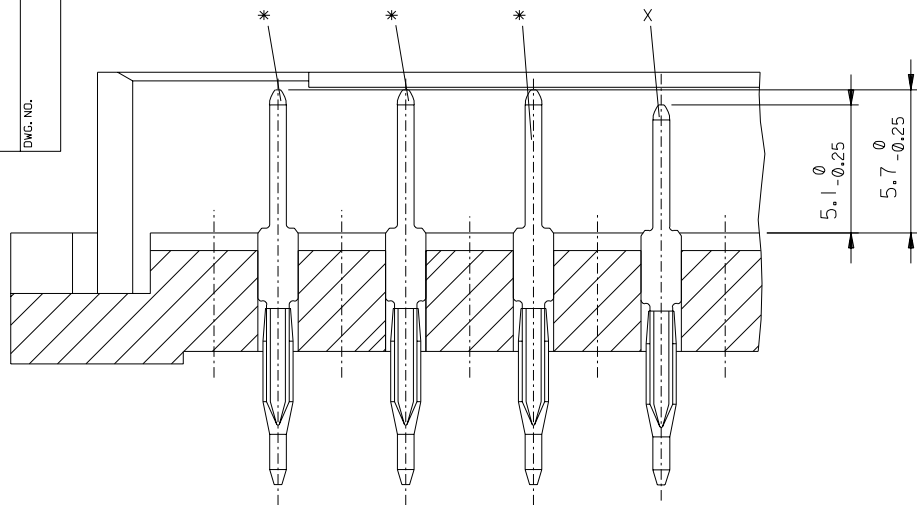


MATING SEQUENCE AS DELIVERED
(Bestueckmasse)



View on mating side

C	D	A
	*****XX*****	

1 2 3 4 5 6 7 8 9 10 11 12 13 14 15 16 17 18 19 20 21 22 23 24 25 26 27 28 29 30 31 32

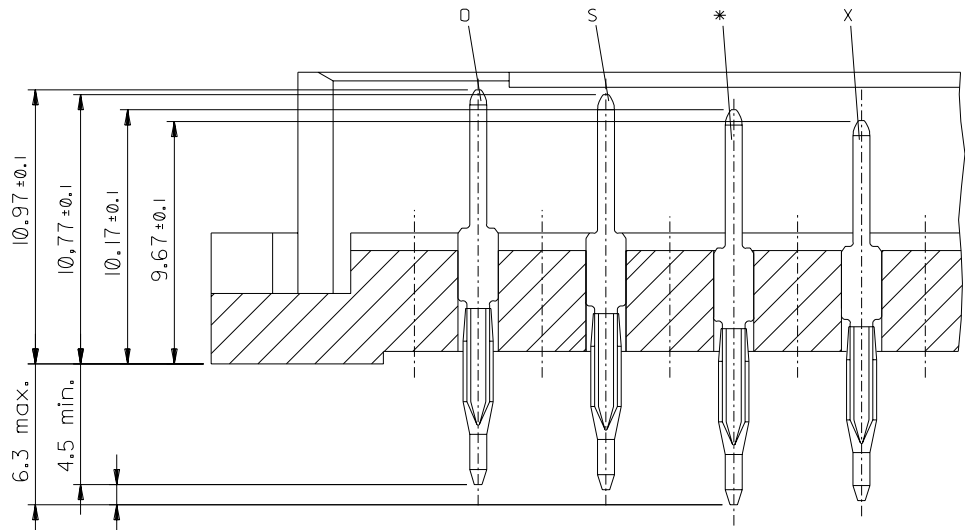
* = 28 standard contacts
X = 4 LMFB contacts

S = 32 total number of contacts

Contact symbol	Perform. level	Contact position number
*	G2/0	c1+2+3+6-27+30+31+32
X	G2/0	c4+5+28+29

Marking	Standard
Performance level	G2/0 = Contact area level 2 / Termination tin
Flux proof	no
Fixing clip	no
Dimensions	610-6043-201
Technical Data

MATING SEQUENCE AFTER INSTALLATION IN TO PC BOARD
(Kontaktlaengen nach dem Einpressen in die Leiterplatte)



View on mating side

c	b	a
	O	S S X X * X X S S D

1 2 3 4 5 6 7 8 9 10 11 12 13 14 15 16 17 18 19 20 21 22 23 24 25 26 27 28 29 30 31 32

THE MATING SEQUENCE CAN ONLY
BE ACCOMPLISHED WITH THE USE OF
A SPECIAL PRESS-IN TOOL 85089-1110

D = 2 FMLBcontacts (5.7)
S = 4 FMLB contacts (5.5)
* = 22 standard contacts (4.9)
X = 4 LMFB contacts (4.4)
S = 32 total number of contacts

0	G2/0	c1+32
S	G2/0	c2+3+30+31
*	G2/0	c6-27
X	G2/0	c4+5+28+29

REVISE ONLY ON CAD SYSTEM				SH.	REV.
CAD/CAM PROJECT NAME			THIS DRAWING CONTAINS INFORMATION THAT IS PROPRIETARY TO MOLEX INC. & SHOULD NOT BE USED WITHOUT WRITTEN PERMISSION		
TITLE				96 pos. Male connector acc. DIN 41612 style R contacts arrangement	
MOLEX EUROPE			SHEET NO. DATE		1 OF 1 96/10/08
PART NO.		DWG NO.		SIZE	
85013-3043		SDA-85013-3043		B	