

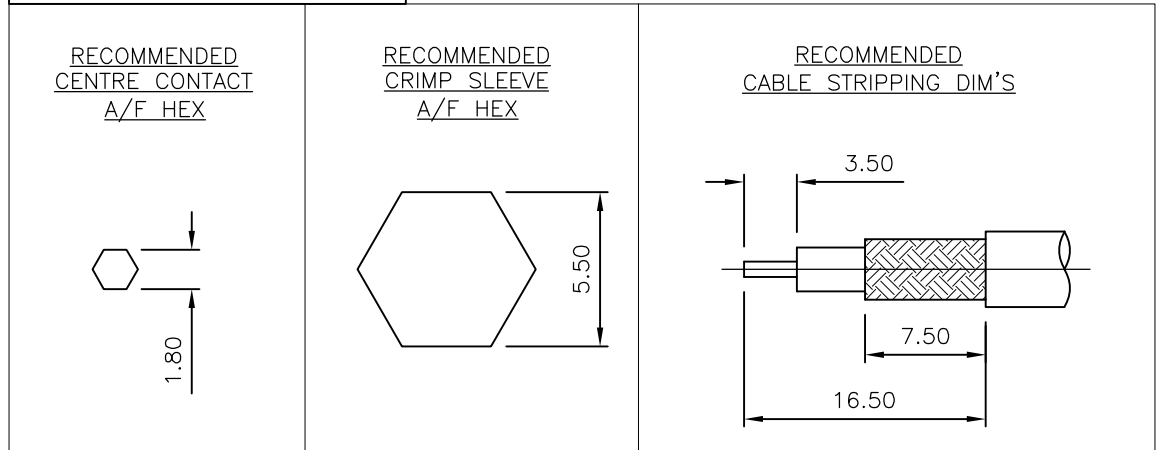
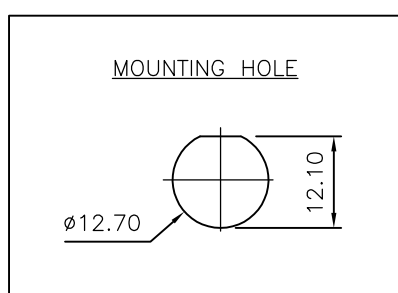
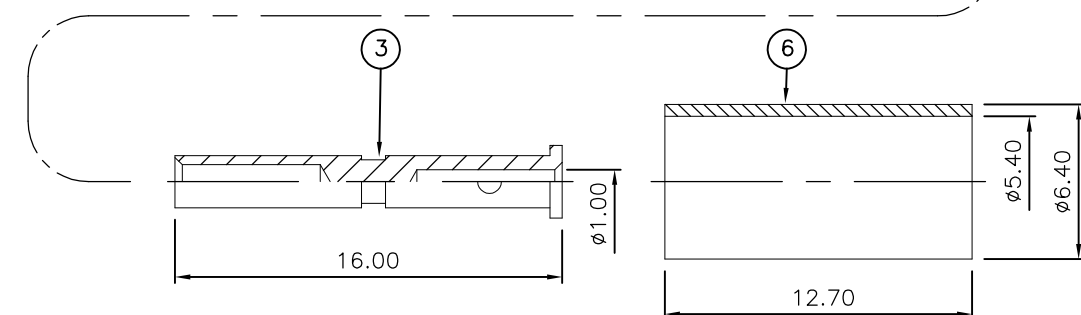
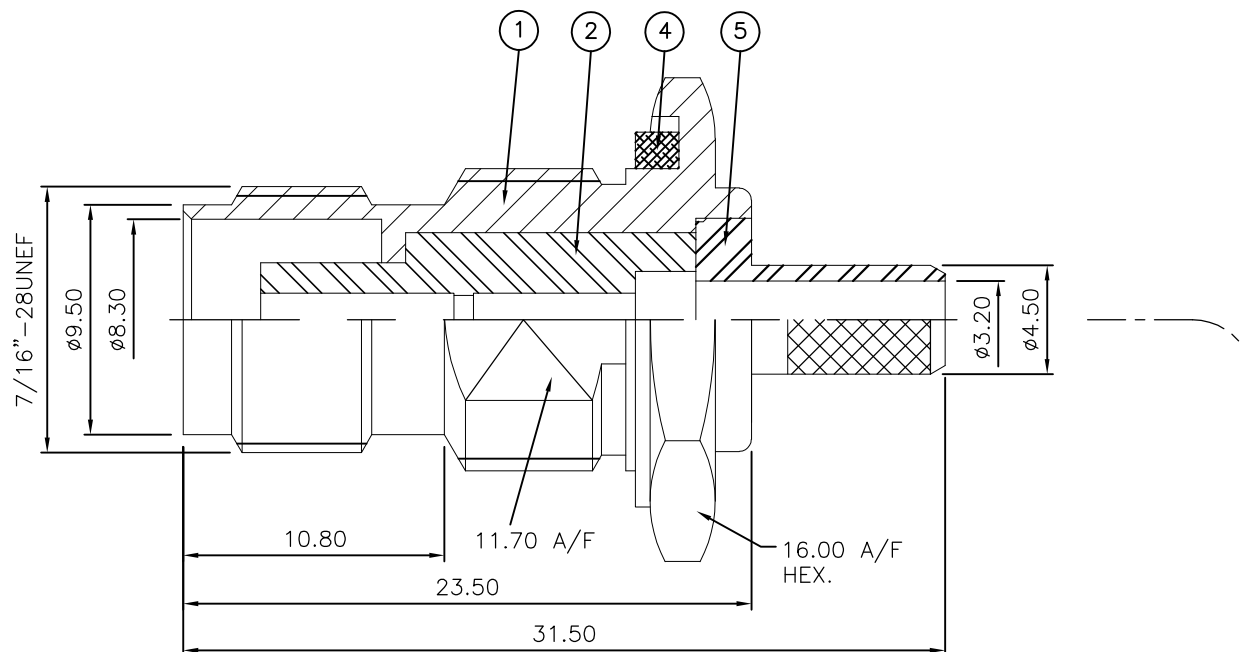
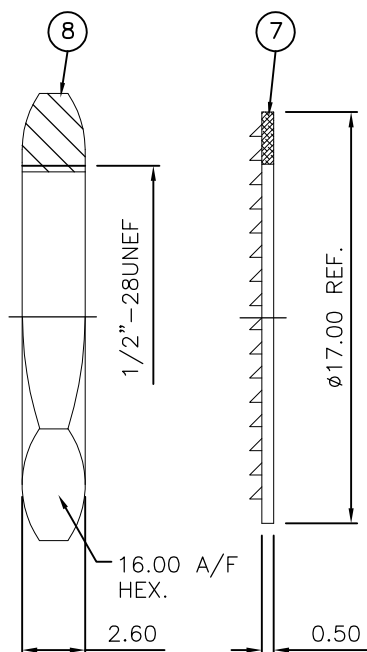
THIS DRAWING IS UNPUBLISHED. RELEASED FOR PUBLICATION MAY ,2006.

© COPYRIGHT 2006 BY TYCO ELECTRONICS CORPORATION. ALL RIGHTS RESERVED.

LOC	DIST	REVISIONS					
E	B	P	LTR	DESCRIPTION	DATE	DWN	APVD
		D		ECO-09-016840	11AUG2009	AM	BOB

NOTES:

- 1 PACK IN ACCORDANCE WITH AMP SPEC 107-3275
- 2 100 TRAY PACK IN ACCORDANCE WITH AMP SPEC 107-3275
- 3 Au PLATING
- 4 Ni PLATING
- 5 THIS ITEM MUST BE WHITE
- 7 HAND TOOL : 9-1478240-0
- 8 DIE SET : 9-1478242-0
- 9 ELECTRICAL CHARACTERISTICS
 FREQUENCY RANGE: DC - 11 GHz
 NOMINAL IMPEDANCE: 50 Ohm
 INSULATION RESISTANCE: 5000 MOhm
 WORKING VOLTAGE: 500 Volts RMS at Sea Level
 DIELECTRIC WITHSTAND VOLTAGE: 1500 Volts RMS Max
 CONTACT RESISTANCE:
 CENTRE CONTACT: 1.50 mOhm Max
 OUTER CONTACT: 1.00 mOhm Max
 VSWR @ 4GHz: 1.30:1 Max
 INSERTION LOSS dB @ x 3 GHz: 0.20 Max
- 10 MECHANICAL CHARACTERISTICS
 COUPLING NUT RETENTION FORCE: N/A
 CABLE RETENTION FORCE: 170N Min
 MOUNT NUT RECOMMENDED TORQUE: 4N
 DURABILITY: 500 Cycles Min
- 11 ENVIRONMENTAL CHARACTERISTICS
 OPERATING TEMPERATURE: -65 to +165 DegC
- 12 FOR TECHNICAL DATA REFER TO YOUR LOCAL TYCO ELECTRONICS SALES OFFICE
- 13 ALL DIMENSIONS ARE NOMINAL FOR REFERENCE ONLY UNLESS OTHERWISE STATED



OBSOLETE

			1	BRASS	4	HEXAGONAL NUT	8
			1	STEEL	4	LOCKWASHER	7
			1	BRASS	4	FERRULE	6
			1	BRASS	4	CHASSIS	5
			1	SILICONE RUBBER	5	GASKET	4
			1	BRASS	3	CONTACT	3
			1	PTFE		INSULATION	2
			1	BRASS	4	BODY	1
	6--0	1--0		MATERIAL		DESCRIPTION	ITEM

QUANTITY PER ASSY PARTS LIST

THIS DRAWING IS A CONTROLLED DOCUMENT.

DWN J.SANDWELL 16MAY06
 CHK S.PARLOW 16MAY06
 APVD F.WHEELER-KING 16MAY06
 PRODUCT SPEC
 APPLICATION SPEC
 411-3247
 WEIGHT -

Tyco Electronics Tyco Electronics Corporation
 Kunshan, Jiangsu ,RPC 215321

NAME
 TNC BULKHEAD JACK REAR MOUNT CRIMP 50 OHM
 RG58C/U, 141A/U, URM43, 76, KX15

SIZE A3 CAGE CODE 00779 DRAWING NO G-1337615 RESTRICTED TO -

CUSTOMER DRAWING SCALE NTS SHEET 1 OF 1 REV D