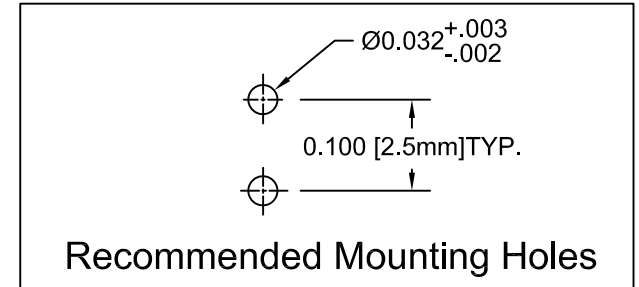
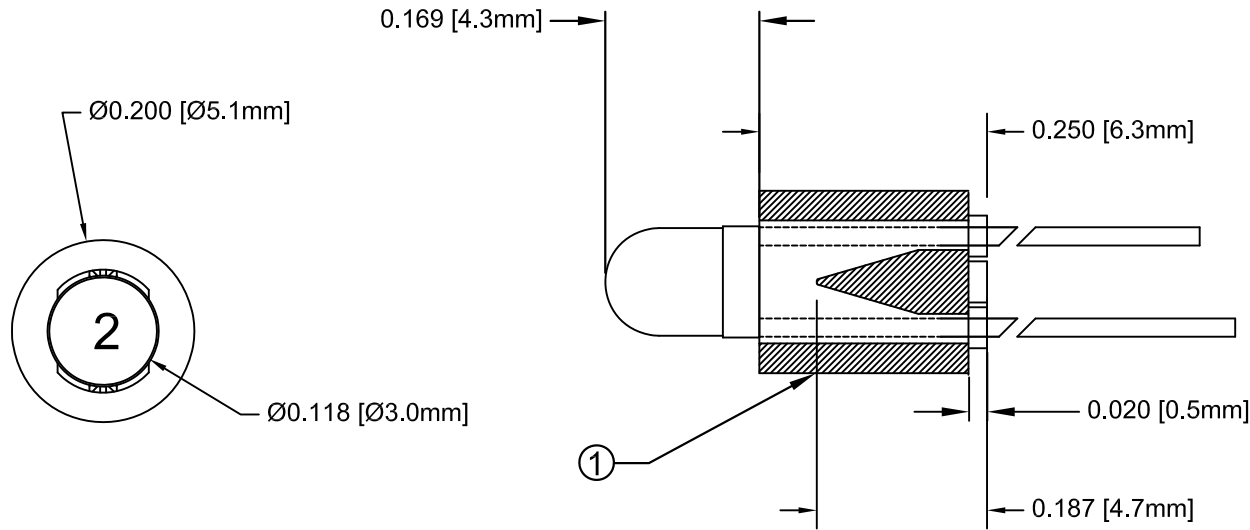


ITEM	Q'TY	PART NUMBER	PART DESCRIPTION
1	1	LTM-250	Molded, Self-Retaining LED Mount
2	1	3GTL-S	T-1 (3mm) N-Flange LED, Low Current

REV.	DESCRIPTION	DATE	APPROVED
A	Engineering Release.	11/10/06	M. C.
B	Added -S to 3GTL to BOM and Table	12/19/12	T. Y.



LED Part No.	Chip			Lens Appearance	Absolute Maximum Ratings				Electro-Optical Data @ 2mA			Viewing Angle (Deg)
	Material	Peak Wave Length $\lambda_p$ (nm)	Emitted Color		$\Delta\lambda$ (nm)	Pd (mW)	If (mA)	Peak If (mA)	Vf (V)		Iv (mcd)	
									Typ.	Max.	Typ.	
3GTL-S	GaP/GaP	568	Green	TINTED	30	14	7	-	1.8	2.2	7.5	30

## ABSOLUTE MAXIMUM RATINGS (Ta = 25°C)

REVERSE VOLTAGE \_\_\_\_\_ 5V  
 REVERSE CURRENT ( VR=5V) \_\_\_\_\_ 100 $\mu$ A  
 OPERATING TEMPERATURE RANGE \_\_\_\_\_ -25°C ~ 85°C  
 STORAGE TEMPERATURE \_\_\_\_\_ -30°C ~ 100°C  
 LEAD SOLDERING TEMPERATURE (1/16" FROM BODY) \_\_\_\_\_ 260°C for 5 Seconds

STANDARD TOLERANCE ( UNLESS OTHERWISE SPECIFIED )		 <b>BIVAR</b> <sup>®</sup> 4 THOMAS, IRVINE, CA. 92618 TEL: (949) 951-8808 FAX: (949) 951-3974	
DECIMALS	ANGULAR		
.X $\pm$ .1	X° $\pm$ 1°		
.XX $\pm$ .02		<b>TITLE:</b> Molded Self-Retaining LED Mount Assy	
.XXX $\pm$ .010			
DESIGNED: <b>Dan Beckman</b>	DATE: <b>11/10/06</b>	<b>PART NO:</b> LTM2503GTL	REVISION: <b>B</b>
CHECKED: <b>T. Yin</b>	DATE: <b>11/10/06</b>	<b>CAGE CODE : 32559</b>	<b>SHEET # 1 OF 1</b>
CAD GENERATED DOCUMENT, DO NOT MEASURE DRAWING.			