

NO OF SIGNAL	MATERIAL NUMBER	DIM A	DIM P	PCB THK
12	45985-0111	12.5	4.50	3.18
16	45985-0121	15.0		
20	45985-0131	17.6		
24	45985-0141	20.1		
28	45985-0151	22.6		
32	45985-0161	25.2	3.60	2.36
36	45985-0171	27.7		
40	45985-0181	30.3		
12	45985-0112	12.5		
16	45985-0122	15.0		
20	45985-0132	17.6	2.90	1.57
24	45985-0142	20.1		
28	45985-0152	22.6		
32	45985-0162	25.2		
36	45985-0172	27.7		
40	45985-0182	30.3	2.90	1.57
12	45985-0113	12.5		
16	45985-0123	15.0		
20	45985-0133	17.6		
24	45985-0143	20.1	2.90	1.57
28	45985-0153	22.6		
32	45985-0163	25.2		
36	45985-0173	27.7		
40	45985-0183	30.3		

NOTES:

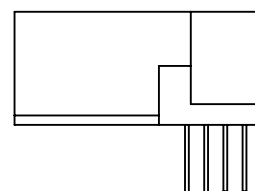
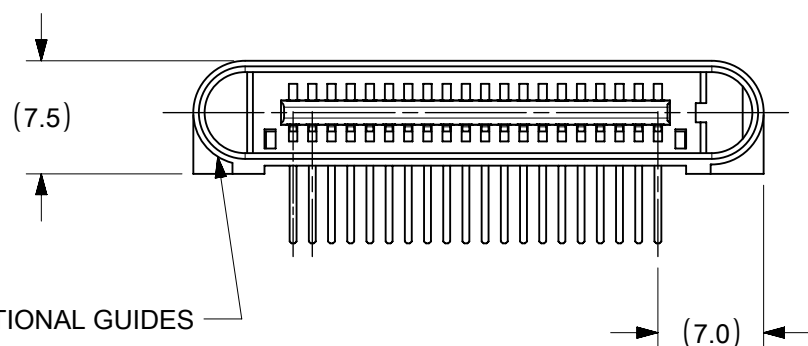
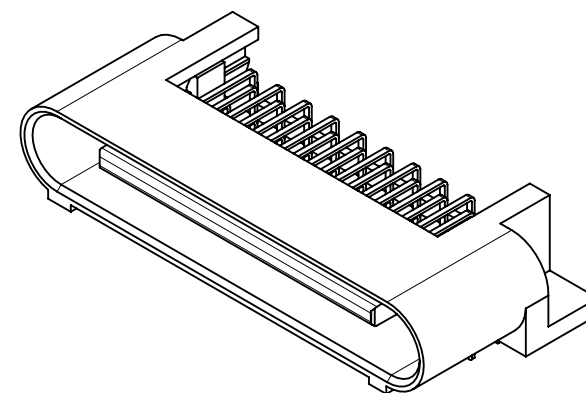
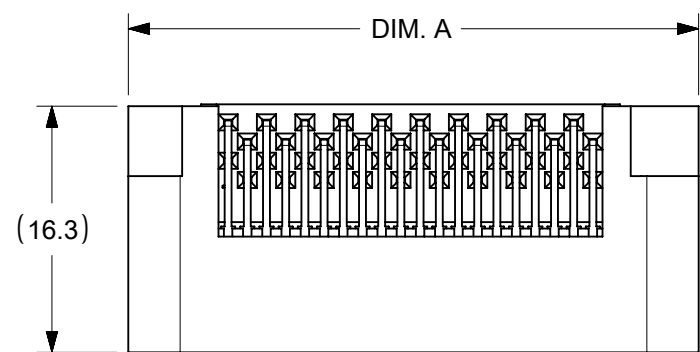
- MATERIAL:  
HOUSING: GLASS FILLED LCP (LIQUID CRYSTAL POLYMER); UL94V-0; COLOR: BLACK  
TERMINALS: COPPER ALLOY
- PLATING: 0.76 MICROMETER / (30 MICROINCH) MINIMUM SELECT GOLD  
3.81 MICROMETER / (150 MICROINCH) MINIMUM SELECT TIN, BOTH OVER  
1.27 MICROMETER / (50 MICROINCH) MINIMUM NICKEL OVERALL.
- PRODUCT SPECIFICATION: PS-45984-001.
- PACKAGING SPECIFICATION: PK-45984-001.
- SEE SHEET 5 FOR CIRCUIT IDENTIFICATION.
- PARTS ARE RoHS COMPLIANT.
- MATES WITH 45984, 46113 SERIES RECEPTACLE.

SYMBOLS	THIS DRAWING CONTAINS INFORMATION THAT IS PROPRIETARY TO MOLEX ELECTRONIC TECHNOLOGIES, LLC AND SHOULD NOT BE USED WITHOUT WRITTEN PERMISSION		
	DIMENSION UNITS	SCALE	CURRENT REV DESC: CIRCUIT NO. 1 AND 2 ON PCB ARE CORRECTED
▽ = 0	mm	2:1	EC NO: 676774 DRWN: CHETAB 2021/09/02 CHK'D: MBELLE 2021/09/07 APPR: HTHYAGARAJ 2021/09/09
▽ = 0	GENERAL TOLERANCES (UNLESS SPECIFIED)		
▽ = 0		MM	INCH
▽ = 0	4 PLACES ±		
▽ = 0	3 PLACES ±		
▽ = 0	2 PLACES ±	0.25	
▽ = 0	1 PLACE ±		
▽ = 0	0 PLACES ±		
▽ = 0	ANGULAR TOL ±	0.5°	
▽ = 0	DRAFT WHERE APPLICABLE MUST REMAIN WITHIN DIMENSIONS	THIRD ANGLE PROJECTION	DRAWING SERIES
▽ = 0		B-SIZE	45985
DOCUMENT NUMBER		DOCUMENT TYPE	DOCUMENT PART
SD-45985-483		PSD	001
REVISION		SHEET NUMBER	
D1		1 OF 5	
MATERIAL NUMBER		CUSTOMER	
SEE CHART		GENERAL MARKET	

10 9 8 7 6 5 4 3 2 1

F  
E  
D  
C  
B  
A

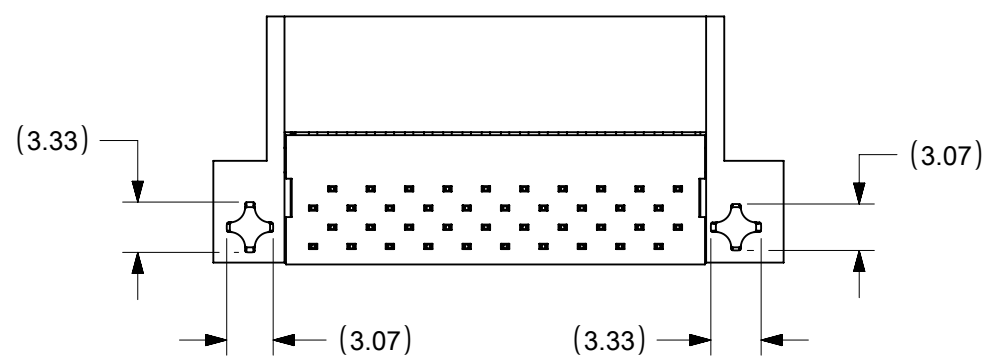
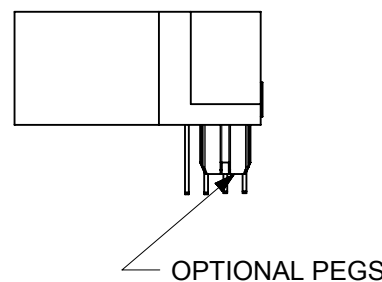
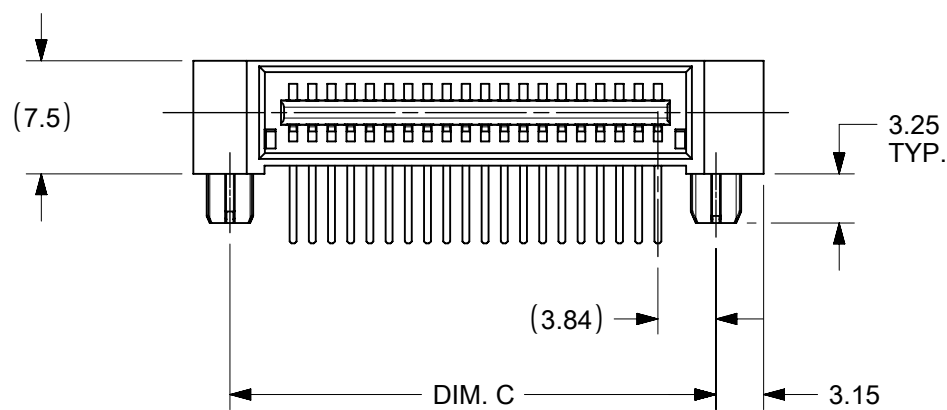
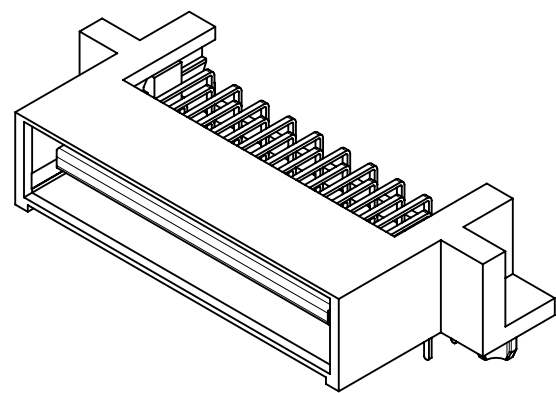
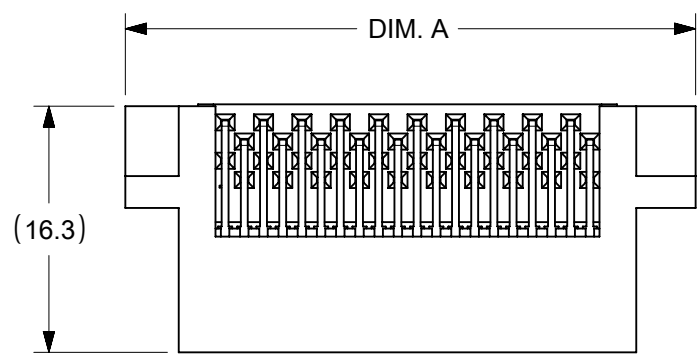
F  
E  
D  
C  
B  
A



NO OF SIGNAL	MATERIAL NUMBER	DIM A	DIM P	PCB THK
12	45985-0211	19.9	4.50	3.18
16	45985-0221	22.5		
20	45985-0231	25.0		
24	45985-0241	27.6		
28	45985-0251	30.1		
32	45985-0261	32.6	3.60	2.36
36	45985-0271	35.2		
40	45985-0281	37.7		
12	45985-0212	19.9		
16	45985-0222	22.5		
20	45985-0232	25.0	2.90	1.57
24	45985-0242	27.6		
28	45985-0252	30.1		
32	45985-0262	32.6		
36	45985-0272	35.2		
40	45985-0282	37.7	2.90	1.57
12	45985-0213	19.9		
16	45985-0223	22.5		
20	45985-0233	25.0		
24	45985-0243	27.6		
28	45985-0253	30.1		
32	45985-0263	32.6		
36	45985-0273	35.2		
40	45985-0283	37.7		

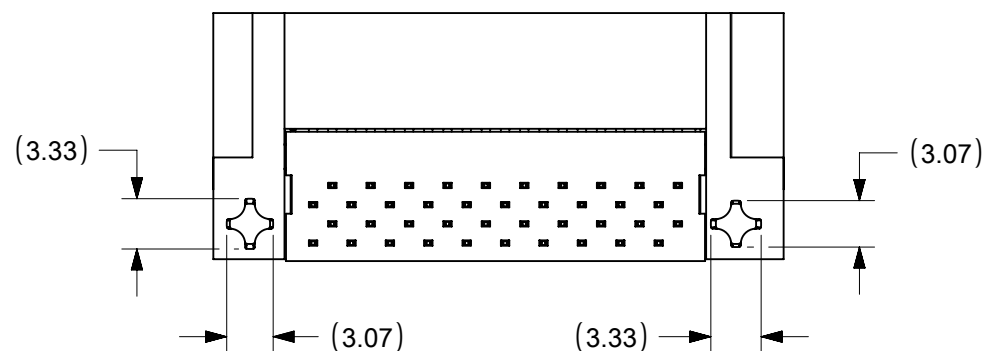
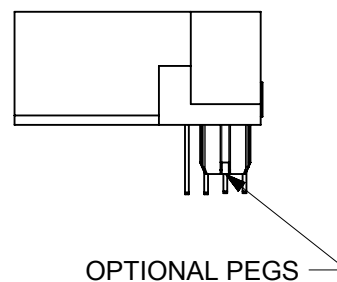
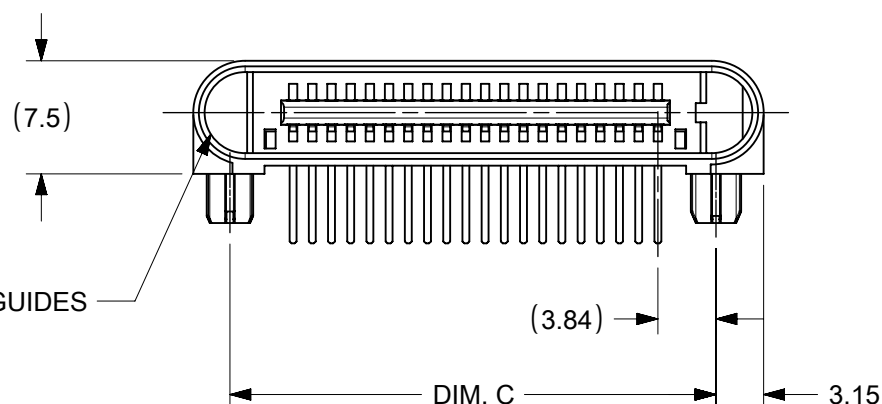
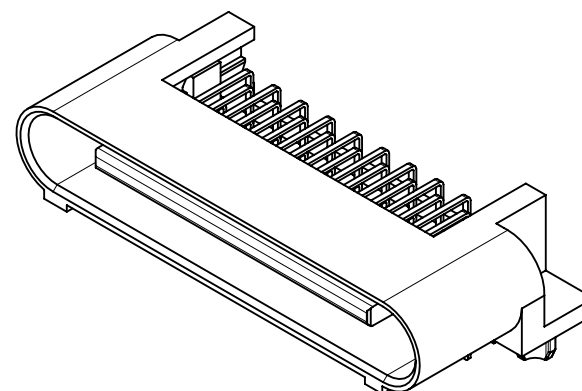
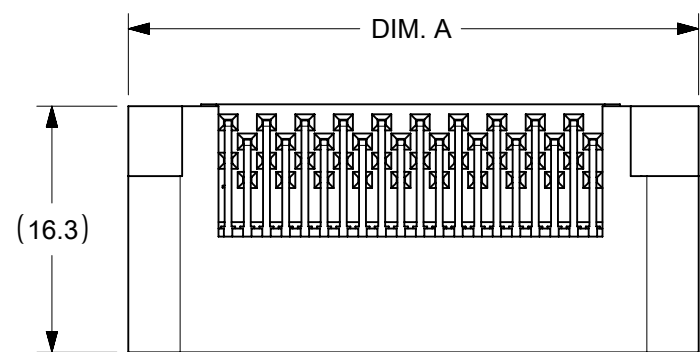
<b>SYMBOLS</b> DIMENSION UNITS: mm SCALE: 2:1 GENERAL TOLERANCES (UNLESS SPECIFIED): 4 PLACES ± 3 PLACES ± 2 PLACES ± 0.25 1 PLACE ± 0 PLACES ± ANGULAR TOL ± 0.5° DRAFT WHERE APPLICABLE MUST REMAIN WITHIN DIMENSIONS THIRD ANGLE PROJECTION DRAWING: B-SIZE SERIES: 45985	THIS DRAWING CONTAINS INFORMATION THAT IS PROPRIETARY TO MOLEX ELECTRONIC TECHNOLOGIES, LLC AND SHOULD NOT BE USED WITHOUT WRITTEN PERMISSION CURRENT REV DESC: CIRCUIT NO. 1 AND 2 ON PCB ARE CORRECTED EC NO: 676774 DRWN: CHETAB 2021/09/02 CHK'D: MBELLE 2021/09/07 APPR: HTHYAGARAJ 2021/09/09 INITIAL REVISION: DRWN: BANDURA 5/1/2006 APPR: PATEL 5/5/2006			 LPH PLUG ASSEMBLY SIGNAL CONNECTOR PRODUCT CUSTOMER DRAWING		
	DOCUMENT NUMBER: SD-45985-483 DOC TYPE: PSD DOC PART: 001 REVISION: D1					
	MATERIAL NUMBER: SEE CHART CUSTOMER: GENERAL MARKET SHEET NUMBER: 2 OF 5					

10 9 8 7 6 5 4 3 2 1



NO OF SIGNAL	MATERIAL NUMBER	DIM A	DIM C	DIM P	PCB THK
12	45985-0311	19.9	14.37	4.50	3.18
16	45985-0321	22.5	16.91		
20	45985-0331	25.0	19.45		
24	45985-0341	27.6	21.99		
28	45985-0351	30.1	24.53		
32	45985-0361	32.6	27.07	3.60	2.36
36	45985-0371	35.2	29.61		
40	45985-0381	37.7	32.15		
12	45985-0312	19.9	14.37		
16	45985-0322	22.5	16.91		
20	45985-0332	25.0	19.45	2.90	1.57
24	45985-0342	27.6	21.99		
28	45985-0352	30.1	24.53		
32	45985-0362	32.6	27.07		
36	45985-0372	35.2	29.61		
40	45985-0382	37.7	32.15	2.90	1.57
12	45985-0313	19.9	14.37		
16	45985-0323	22.5	16.91		
20	45985-0333	25.0	19.45		
24	45985-0343	27.6	21.99		
28	45985-0353	30.1	24.53	2.90	1.57
32	45985-0363	32.6	27.07		
36	45985-0373	35.2	29.61		
40	45985-0383	37.7	32.15		

<b>SYMBOLS</b> DIMENSION UNITS: mm SCALE: 2:1 GENERAL TOLERANCES (UNLESS SPECIFIED): 4 PLACES ± 3 PLACES ± 2 PLACES ± 0.25 1 PLACE ± 0 PLACES ± ANGULAR TOL ± 0.5° DRAFT WHERE APPLICABLE MUST REMAIN WITHIN DIMENSIONS THIRD ANGLE PROJECTION DRAWING SERIES: B-SIZE 45985	THIS DRAWING CONTAINS INFORMATION THAT IS PROPRIETARY TO MOLEX ELECTRONIC TECHNOLOGIES, LLC AND SHOULD NOT BE USED WITHOUT WRITTEN PERMISSION CURRENT REV DESC: CIRCUIT NO. 1 AND 2 ON PCB ARE CORRECTED EC NO: 676774 DRWN: CHETAB 2021/09/02 CHK'D: MBELLE 2021/09/07 APPR: HTHYAGARAJ 2021/09/09 INITIAL REVISION: DRWN: BANDURA 5/1/2006 APPR: PATEL 5/5/2006			<p>LPH PLUG ASSEMBLY SIGNAL CONNECTOR</p> <p>PRODUCT CUSTOMER DRAWING</p>		
	DOCUMENT NUMBER: SD-45985-483 DOC TYPE: PSD DOC PART: 001 REVISION: D1					
	MATERIAL NUMBER: SEE CHART CUSTOMER: GENERAL MARKET SHEET NUMBER: 3 OF 5					



NO OF SIGNAL	MATERIAL NUMBER	DIM A	DIM C	DIM P	PCB THK
12	45985-0411	19.9	14.37	4.50	3.18
16	45985-0421	22.5	16.91		
20	45985-0431	25.0	19.45		
24	45985-0441	27.6	21.99		
28	45985-0451	30.1	24.53		
32	45985-0461	32.6	27.07		
36	45985-0471	35.2	29.61		
40	45985-0481	37.7	32.15		
12	45985-0412	19.9	14.37	3.60	2.36
16	45985-0422	22.5	16.91		
20	45985-0432	25.0	19.45		
24	45985-0442	27.6	21.99		
28	45985-0452	30.1	24.53		
32	45985-0462	32.6	27.07		
36	45985-0472	35.2	29.61		
40	45985-0482	37.7	32.15		
12	45985-0413	19.9	14.37	2.90	1.57
16	45985-0423	22.5	16.91		
20	45985-0433	25.0	19.45		
24	45985-0443	27.6	21.99		
28	45985-0453	30.1	24.53		
32	45985-0463	32.6	27.07		
36	45985-0473	35.2	29.61		
40	45985-0483	37.7	32.15		

<b>SYMBOLS</b> DIMENSION UNITS: mm SCALE: 2:1 GENERAL TOLERANCES (UNLESS SPECIFIED): 4 PLACES ± 3 PLACES ± 2 PLACES ± 0.25 1 PLACE ± 0 PLACES ± ANGULAR TOL ± 0.5° DRAFT WHERE APPLICABLE MUST REMAIN WITHIN DIMENSIONS THIRD ANGLE PROJECTION DRAWING SERIES: B-SIZE 45985	THIS DRAWING CONTAINS INFORMATION THAT IS PROPRIETARY TO MOLEX ELECTRONIC TECHNOLOGIES, LLC AND SHOULD NOT BE USED WITHOUT WRITTEN PERMISSION CURRENT REV DESC: CIRCUIT NO. 1 AND 2 ON PCB ARE CORRECTED EC NO: 676774 DRWN: CHETAB 2021/09/02 CHK'D: MBELLE 2021/09/07 APPR: HTHYAGARAJ 2021/09/09 INITIAL REVISION: DRWN: BANDURA 5/1/2006 APPR: PATEL 5/5/2006			 LPH PLUG ASSEMBLY SIGNAL CONNECTOR PRODUCT CUSTOMER DRAWING		
	DOCUMENT NUMBER: SD-45985-483 DOC TYPE: PSD DOC PART: 001 REVISION: D1					
	MATERIAL NUMBER: SEE CHART CUSTOMER: GENERAL MARKET SHEET NUMBER: 4 OF 5					

