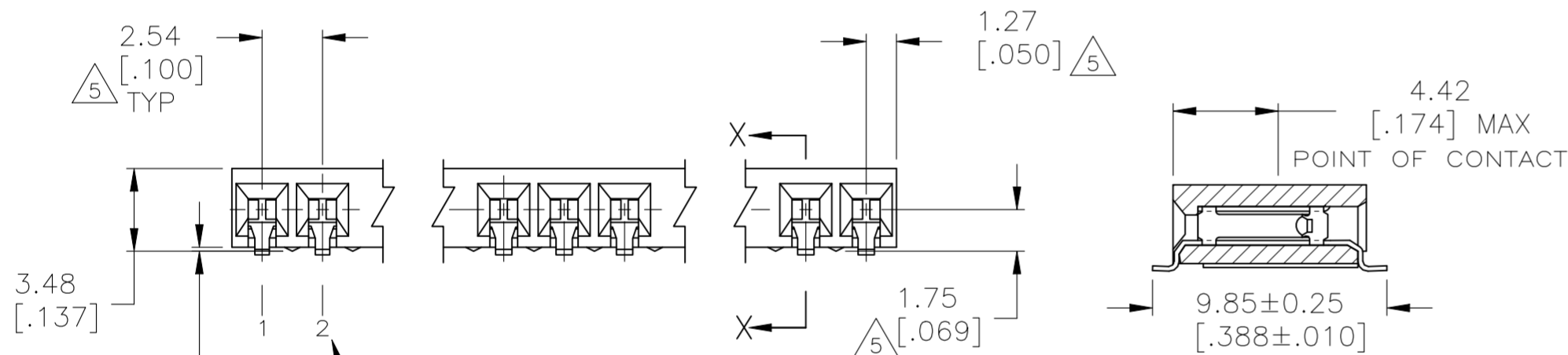
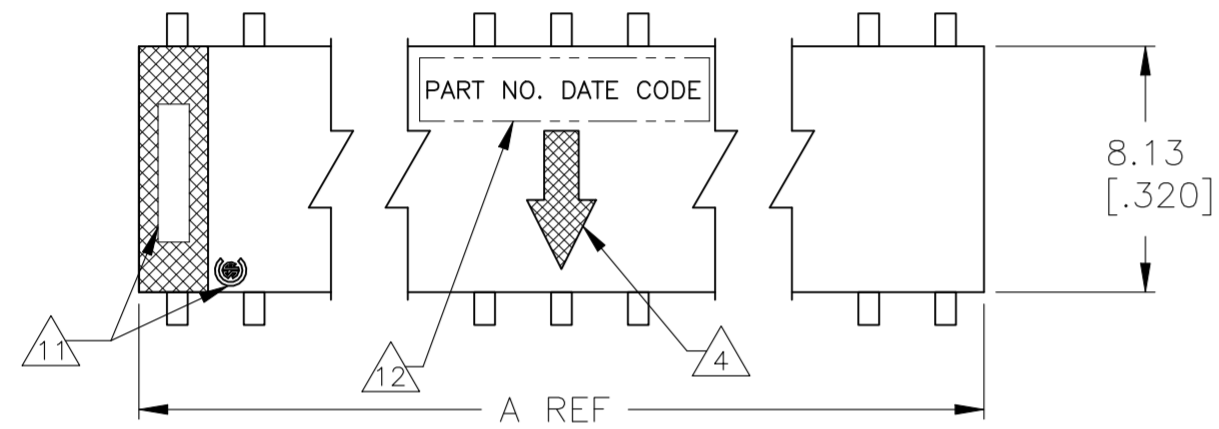


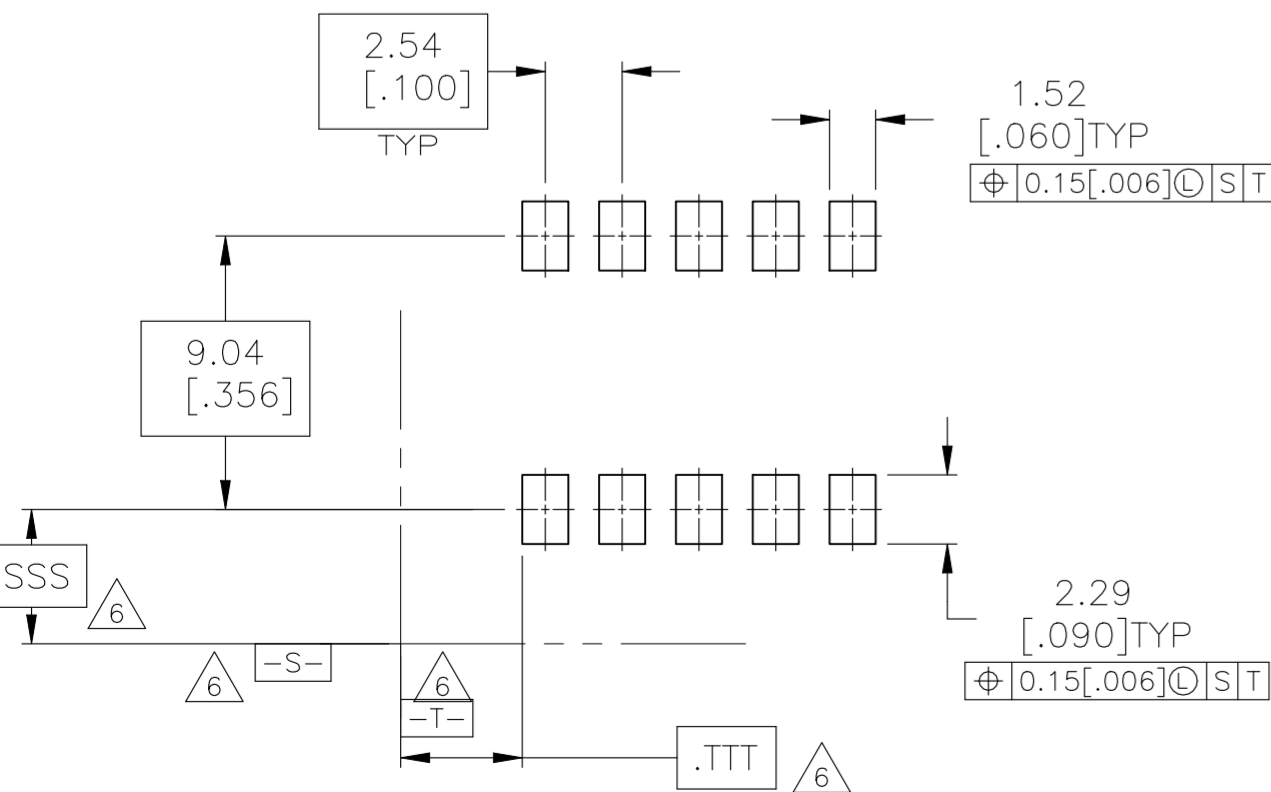
REVISIONS					
P	LTR	DESCRIPTION	DATE	DWN	APVD
B		RESIN SUPPLIER CHANGE FOR THE HOUSING	03DEC2021	SCB	KJK

- 1 HOUSING: GLASS FILLED POLYESTER, PCT, COLOR: BLACK
- 2 CONTACT: PHOSPHOR BRONZE
- 3 CONTACT FINISH: 3.81-7.62 (.000150-.000300) MATTE TIN ALL OVER
0.00127(.000050) MIN NICKEL ENTIRE CONTACT
- 4 MOLDED IN ARROW DESIGNATES MATING FACE OF CONNECTOR
- 5 DIMENSIONS PERTAINS TO CAVITY CENTERLINES
- 6 DATUMS AND BASIC DIMENSIONS ARE ESTABLISHED BY THE CUSTOMER
- 7 PRE-PRODUCTION-PRELIMINARY PARTS
- 8 NO PART NUMBER MARKING REQUIRED FOR THIS PART
- 9 ROHS 2002/95/EC COMPLIANT

- 11 TE LOGO AND CSA LOGO ARE MOLDED INTO HOUSING, THIS LOCATION.
- 12 MARK PART NUMBER AND DATE CODE IN APPROXIMATE LOCATION SHOWN, EITHER END



SECTION X-X



RECOMMENDED PC BOARD LAYOUT

165.10 [6.500]	65	6-5147733-4
162.56 [6.400]	64	6-5147733-3
160.02 [6.300]	63	6-5147733-2
157.48 [6.200]	62	6-5147733-1
152.94 [6.100]	61	6-5147733-0
152.40 [6.000]	60	5-5147733-9
149.86 [5.900]	59	5-5147733-8
147.32 [5.800]	58	5-5147733-7
144.78 [5.700]	57	5-5147733-6
147.32 [5.600]	56	5-5147733-5
139.70 [5.500]	55	5-5147733-4
137.16 [5.400]	54	5-5147733-3
134.62 [5.300]	53	5-5147733-2
132.08 [5.200]	52	5-5147733-1
129.54 [5.100]	51	5-5147733-0
127.00 [5.000]	50	4-5147733-9
124.46 [4.900]	49	4-5147733-8
121.92 [4.800]	48	4-5147733-7
119.38 [4.700]	47	4-5147733-6
116.84 [4.600]	46	4-5147733-5
114.30 [4.500]	45	4-5147733-4
111.76 [4.400]	44	4-5147733-3
109.22 [4.300]	43	4-5147733-2
106.68 [4.200]	42	4-5147733-1
104.14 [4.100]	41	4-5147733-0

101.60 [4.000]	40	3-5147733-9
99.06 [3.900]	39	3-5147733-8
96.52 [3.800]	38	3-5147733-7
93.98 [3.700]	37	3-5147733-6
91.44 [3.600]	36	3-5147733-5
88.90 [3.500]	35	3-5147733-4
86.36 [3.400]	34	3-5147733-3
83.82 [3.300]	33	3-5147733-2
81.28 [3.200]	32	3-5147733-1
78.74 [3.100]	31	3-5147733-0
76.20 [3.000]	30	2-5147733-9
73.66 [2.900]	29	2-5147733-8
71.12 [2.800]	28	2-5147733-7
68.58 [2.700]	27	2-5147733-6
66.04 [2.600]	26	2-5147733-5
63.50 [2.500]	25	2-5147733-4
60.96 [2.400]	24	2-5147733-3
58.42 [2.300]	23	2-5147733-2
55.88 [2.200]	22	2-5147733-1
53.34 [2.100]	21	2-5147733-0
50.80 [2.000]	20	1-5147733-9
48.26 [1.900]	19	1-5147733-8
45.72 [1.800]	18	1-5147733-7
43.18 [1.700]	17	1-5147733-6
40.64 [1.600]	16	1-5147733-5
38.10 [1.500]	15	1-5147733-4
35.56 [1.400]	14	1-5147733-3
33.02 [1.300]	13	1-5147733-2
30.48 [1.200]	12	1-5147733-1
27.94 [1.100]	11	1-5147733-0
25.40 [1.000]	10	5147733-9
22.86 [.900]	9	5147733-8
20.32 [.800]	8	5147733-7
17.78 [.700]	7	5147733-6
15.24 [.600]	6	5147733-5
10.16 [.500]	5	5147733-4
10.16 [.400]	4	5147733-3
7.62 [.300]	3	5147733-2
5.08 [.200]	2	5147733-1

A	NO OF POSN	PART NUMBER	A	NO OF POSN	PART NUMBER

THIS DRAWING IS A CONTROLLED DOCUMENT.		DWN	10NOV04	TE Connectivity	
DIMENSIONS: mm [INCHES]		CHK	-		
TOLERANCES UNLESS OTHERWISE SPECIFIED:		APVD	-	NAME	
0 PLC	± -	PRODUCT SPEC	-	AMP MODU MODII RECPT. ASSY., HORZ., SURFACE MOUNT, .100CL, 1 ROW CLOSED ENTRY, END STACK	
1 PLC	± -	APPLICATION SPEC	-	SIZE	A2
2 PLC	± -			CAGE CODE	00779
3 PLC	± .005			DRAWING NO	C=5147733
4 PLC	± -			RESTRICTED TO	-
ANGLES	± -			SCALE	5:1
MATERIAL	1 2	WEIGHT	-	SHEET	1 of 1
FINISH	3	CUSTOMER DRAWING		REV	B