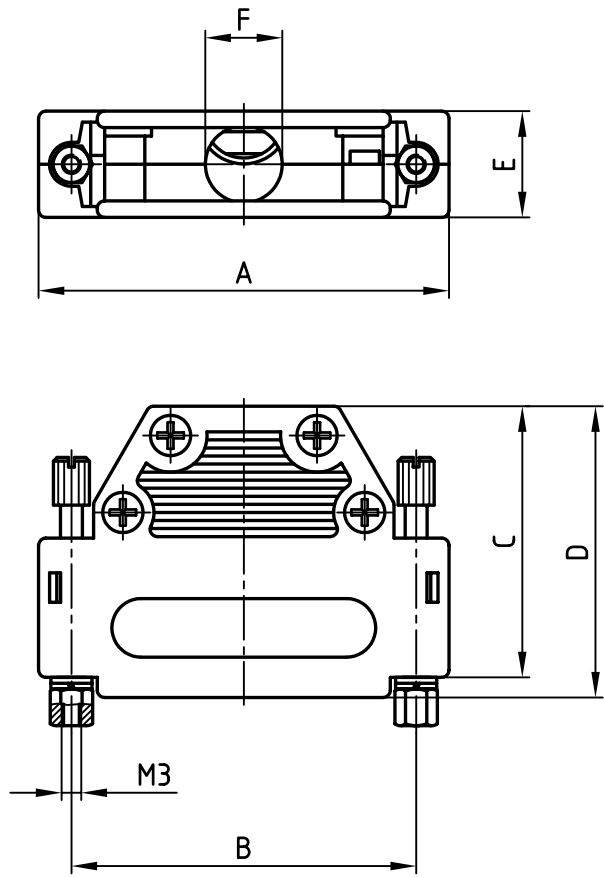


used for: D-SUB



No. of pos.	A	B	C	D	E	F	Part NO.
9	34.0	25.0	25.0	27.75	14.5	8.5	165X11059X
15	42.3	33.3	37.0	39.75	14.5	10.0	165X11069X
25	56.0	47.0	37.0	39.75	14.5	10.5	165X11079X
37	72.5	63.5	37.0	39.75	14.5	10.5	165X11089X

Directive 2002/95/EC  
"RoHS"  
Compliant

THIS DRAWING MAY NOT BE COPIED OR REPRODUCED IN ANY WAY, AND MAY NOT BE PASSED ON TO A THIRD PARTY WITHOUT WRITTEN PERMISSION.  
OWNERSHIP AND COPYRIGHT OF CONEC GmbH  
DO NOT ALTER CAD DRAWING BY HAND

rev.	description	date	name

tolerance

2001 date name  
drawn 06.11. Parei  
appd. 06.11. Schrader  
norm  
d-old

**CONEC**<sup>®</sup>

scale: 1:1  
material: ABS UL 94 V-0 metallized  
title: **PLASTIC HOOD**  
9-37pos.  
with straight cable exit and screw lock  
dwg no: AutoCAD 2000  
16K1A358A  
part no: SEE TABLE

DIN-A  
4  
sh: 1/1

4 3 2 1

F

F

E

E

D

D

C

C

B

B

A

A

4 3 2 1