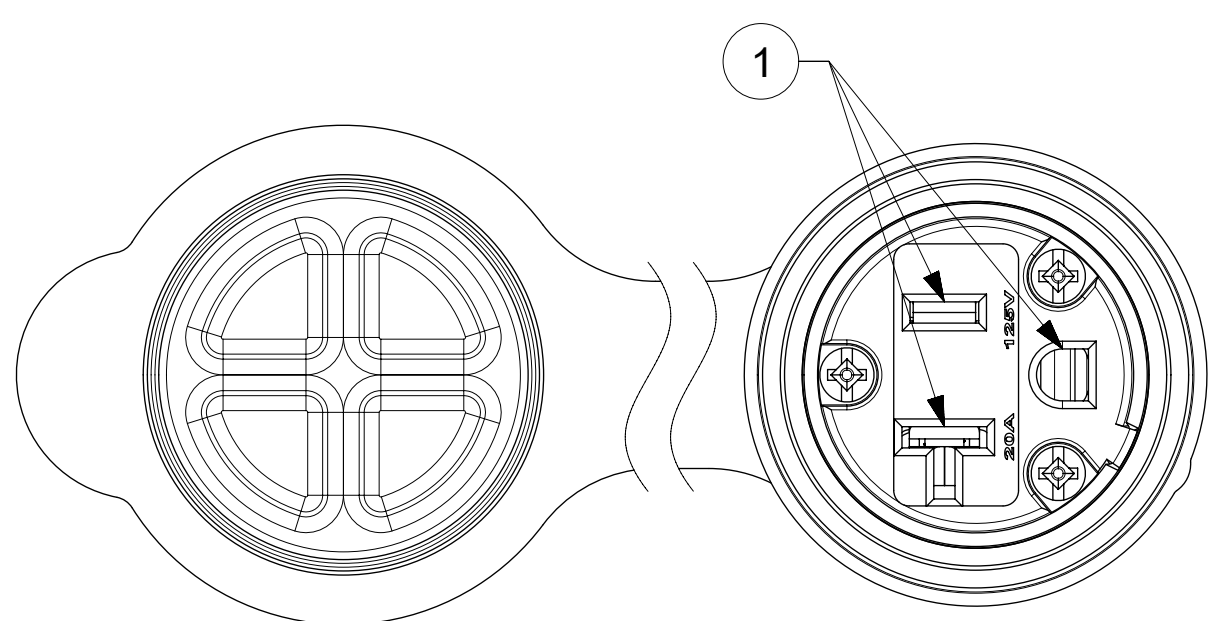
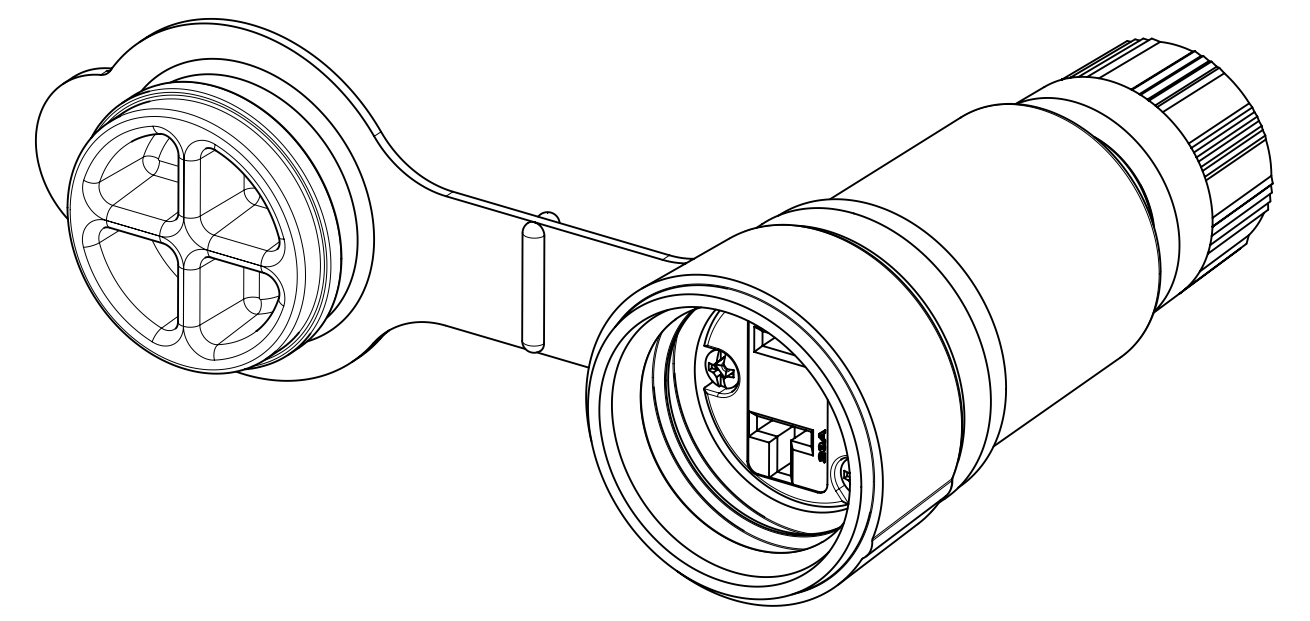
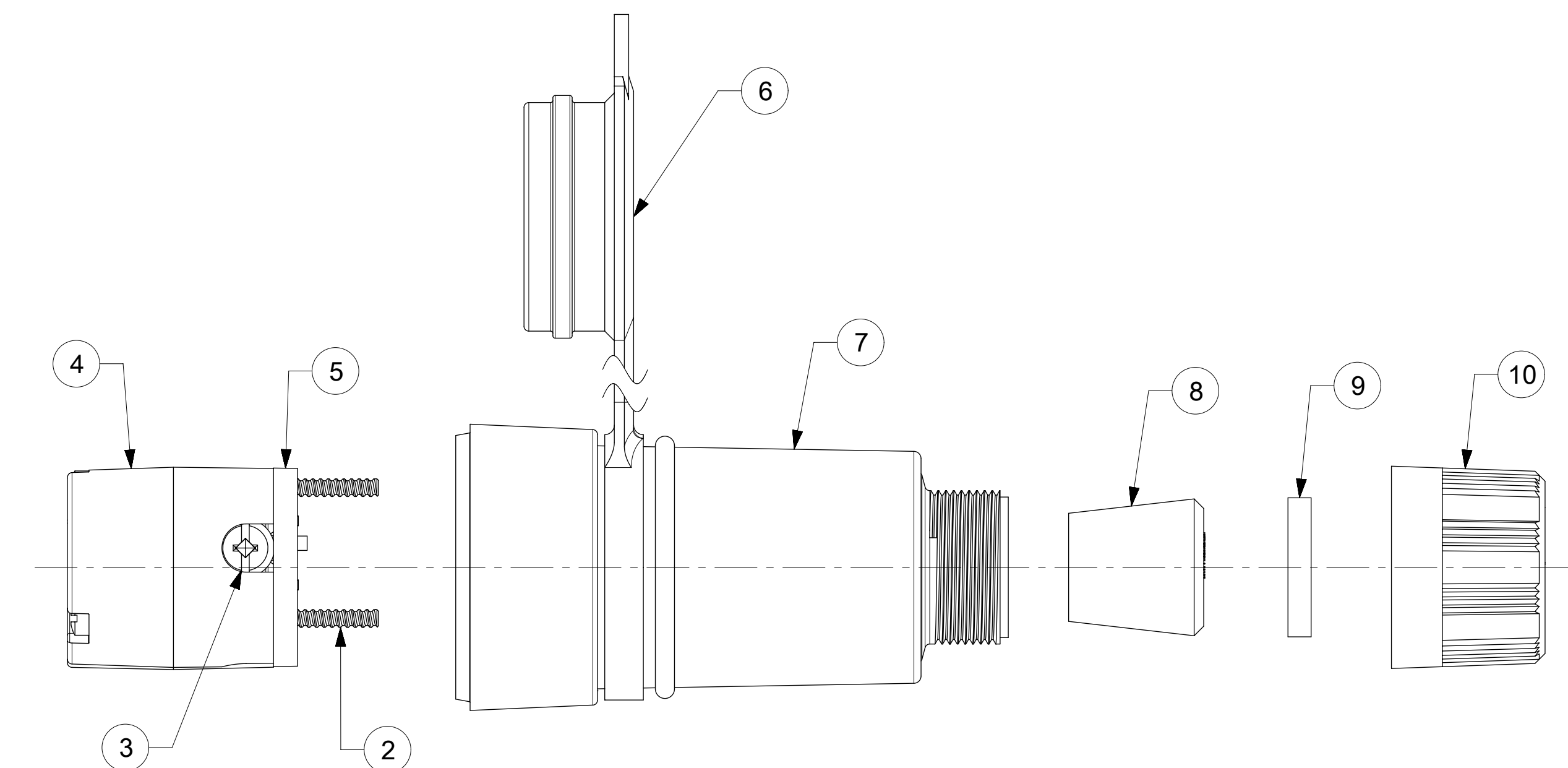
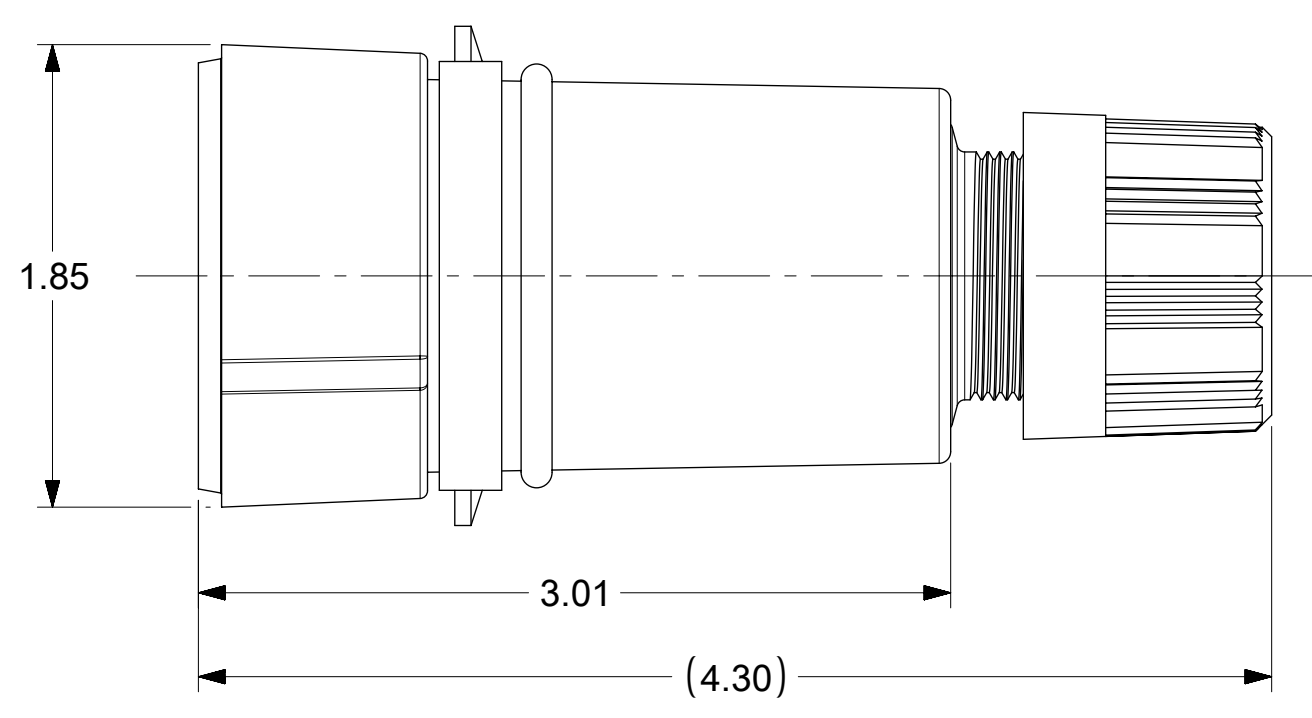


ORDER NO.	WOODHEAD NO.	COLOR
130146-0193	15W33-P	YELLOW
130146-0194	15W33BLK-P	BLACK

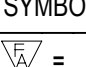
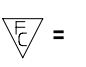
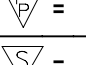
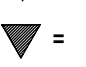
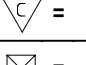
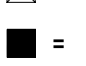
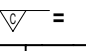





FACE VIEW



ITEM NO.	DESCRIPTIONS	MATERIAL	QTY.
1	BLADES	BRASS	3
2	RETAINING SCREWS	STAINLESS STEEL	3
3	TERMINAL SCREWS	BRASS, ZINC PLATED	3
4	INSERT	NYLON	1
5	TERMINAL COVER	POLYCARBONATE	1
6	FLIP COVER	SILICON	1
7	HOUSING	RUBBER WITH NYLON THREAD	1
8	GROMMETS	RUBBER	5
9	FRICTION RING	NYLON	1
10	COMPRESSION NUT	NYLON	1

- NOTES:**
 1. SEE INSTRUCTION SHEET NUMBER 1301414770 FOR PRODUCT SPECIFICATION.
 2. CABLE RANGE FROM 0.375" TO 0.625"

SYMBOLS  = 0  = 0  = 0  = 0  = 0  = 0  = 0  = 0	THIS DRAWING CONTAINS INFORMATION THAT IS PROPRIETARY TO MOLEX ELECTRONIC TECHNOLOGIES, LLC AND SHOULD NOT BE USED WITHOUT WRITTEN PERMISSION		CURRENT REV DESC: RELEASED		 WATERTITE CONNECTOR, 5-20R PRODUCT CUSTOMER DRAWING	
	DIMENSION UNITS: INCH SCALE: NTS	GENERAL TOLERANCES (UNLESS SPECIFIED) ANGULAR TOL ± 0.5°		EC NO: 613681 DRWN: ABABU01 2018/11/13 CHK'D: DNGUYEN62 2019/03/13 APPR: HKNEELAND 2019/03/21		
	4 PLACES ± 3 PLACES ± 0.005 2 PLACES ± 0.01 1 PLACE ± 0.02 0 PLACES ±	DRAFT WHERE APPLICABLE MUST REMAIN WITHIN DIMENSIONS		INITIAL REVISION: DRWN: ABABU01 2018/11/13 APPR: HKNEELAND 2019/03/21		
	THIRD ANGLE PROJECTION 	DRAWING C-SIZE	SERIES 130146	MATERIAL NUMBER SEE TABLE		CUSTOMER GENERAL MARKET