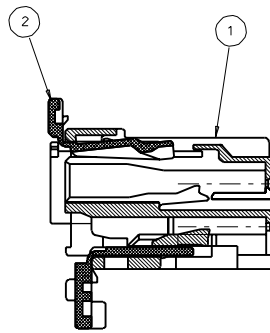
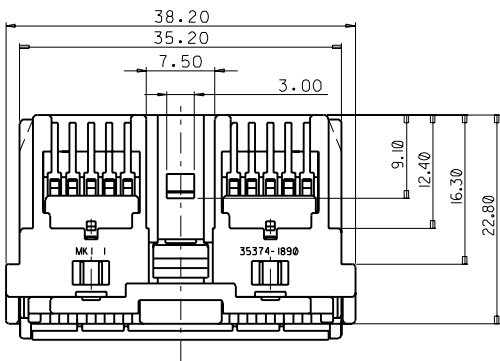
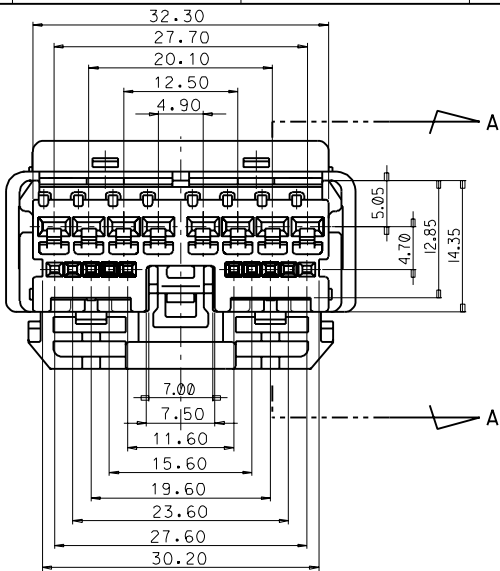
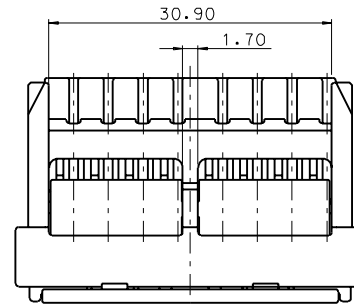
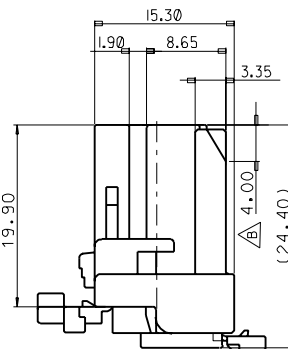


PROJECT NO. 8
SIMILAR ITEM
EDF NO. SD35374-002
DWG. NO. SD35374-002
ENG. NO.

DO NOT SCALE DRAWING
DIMENSION IN METRIC



SECTION A-A



NO.	P/NAME	P/NO.	MATERIAL	QTY
①	DUOMATE HYB. TYPE 18P FEMALE HSG	35374-1890	POLYESTER (PBT)	1
②	DUOMATE HYB. TYPE 18P FEMALE TPA	35379-1880	POLYESTER (PBT)	1

NOTES

- MATING TERMINAL PART NO :
DUOMATE (O30) TYPE : 35442-1702
UNICONN (O90) TYPE : 35421-6702, 35421-6802, 35421-6902
- MATING CONNECTOR PART NO : 35376-1810
- TERMINAL RETENTION FORC (COMBINED) : 10kgf MIN.

NEW RELEASE EC NO. DRAWING Y.S.K.KIMM 96/06/19 CHK: APPR:	DESCRIPTION MAJOR CRITICAL	GENERAL TOLERANCES: (UNLESS SPECIFIED)		SCALE	DESIGN	MATERIAL	THIRD ANGLE PROJECTION	DIMENSIONS:	SHT	REV	
		mm	INCH	2:1	<input checked="" type="checkbox"/> METRIC <input type="checkbox"/> INCH	<input type="checkbox"/> POLYESTER <input type="checkbox"/> PBT	<input checked="" type="checkbox"/> THIRD ANGLE <input type="checkbox"/> FIRST ANGLE	<input checked="" type="checkbox"/> DIM INCH <input type="checkbox"/> DIM MM <input type="checkbox"/> DIM MIX			
A	REV	4 PLACES	±0.1		DRAWN BY & DATE Y.S.K.KIMM 96/06/19	GENERAL TOLERANCE DIMENSION :		DUOMATE HYBRID TYPE 18P			
		3 PLACES	±0.2		CHECKED BY & DATE B.C. CHOI 96/06/19	DIMENSION CLASSIFICATION		FEMALE CONNECTOR ASS'Y			
		2 PLACES	±0.20		APPROVED BY & DATE C.W. LEE 96/06/19	REFERENCE		MOLEX INCORPORATED			
		1 PLACE	±0.2					TITIKOREA			
					CAD FILE NAME ECN : 35374-1890	MATERIAL NO. 35374-1890	DRAWING NO. SD35374-002				
					THIS DRAWING CONTAINS INFORMATION THAT IS PROPRIETARY TO MOLEX (KOREA) AND SHOULD NOT BE USED WITHOUT WRITTEN PERMISSION.						