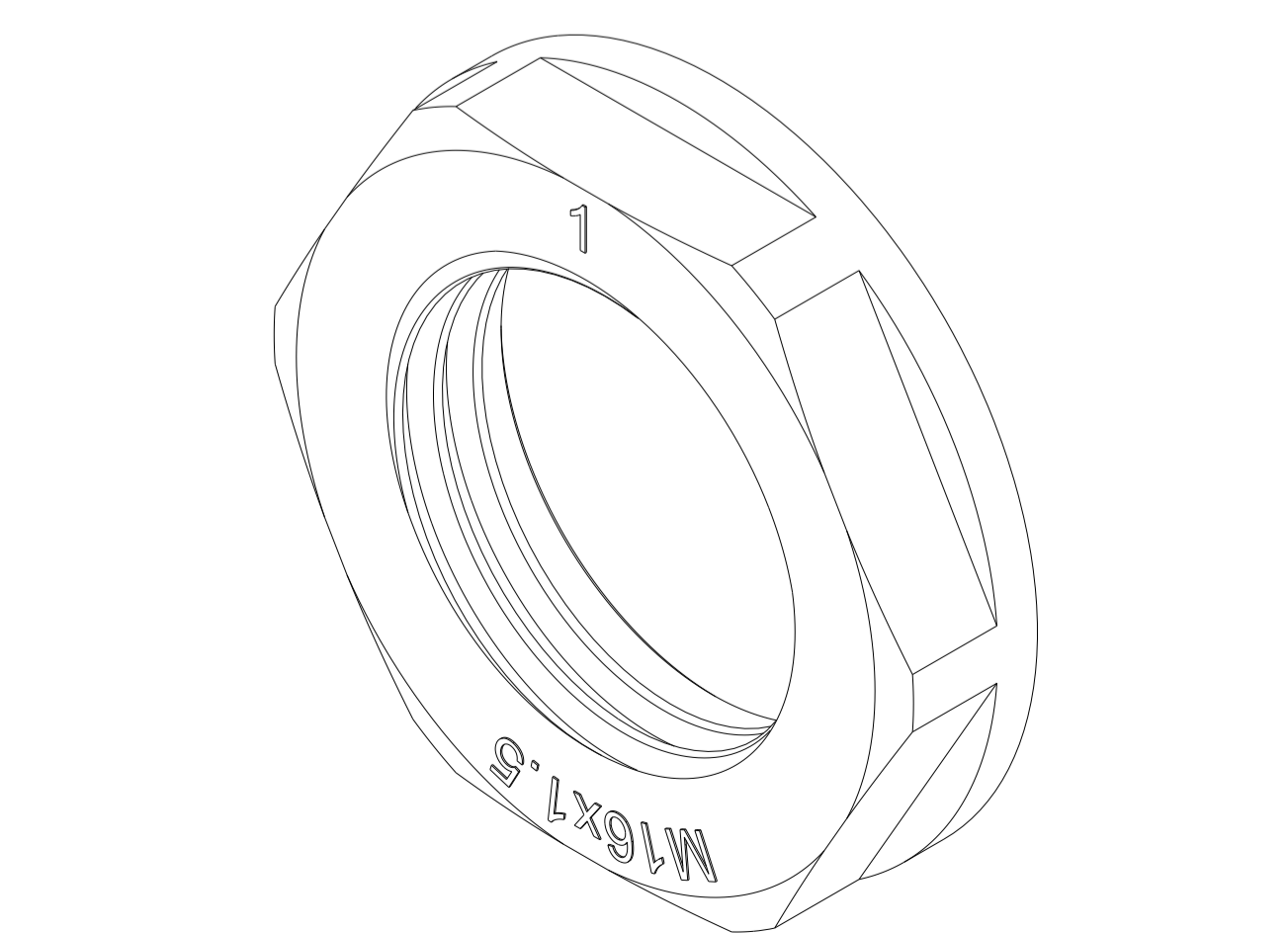
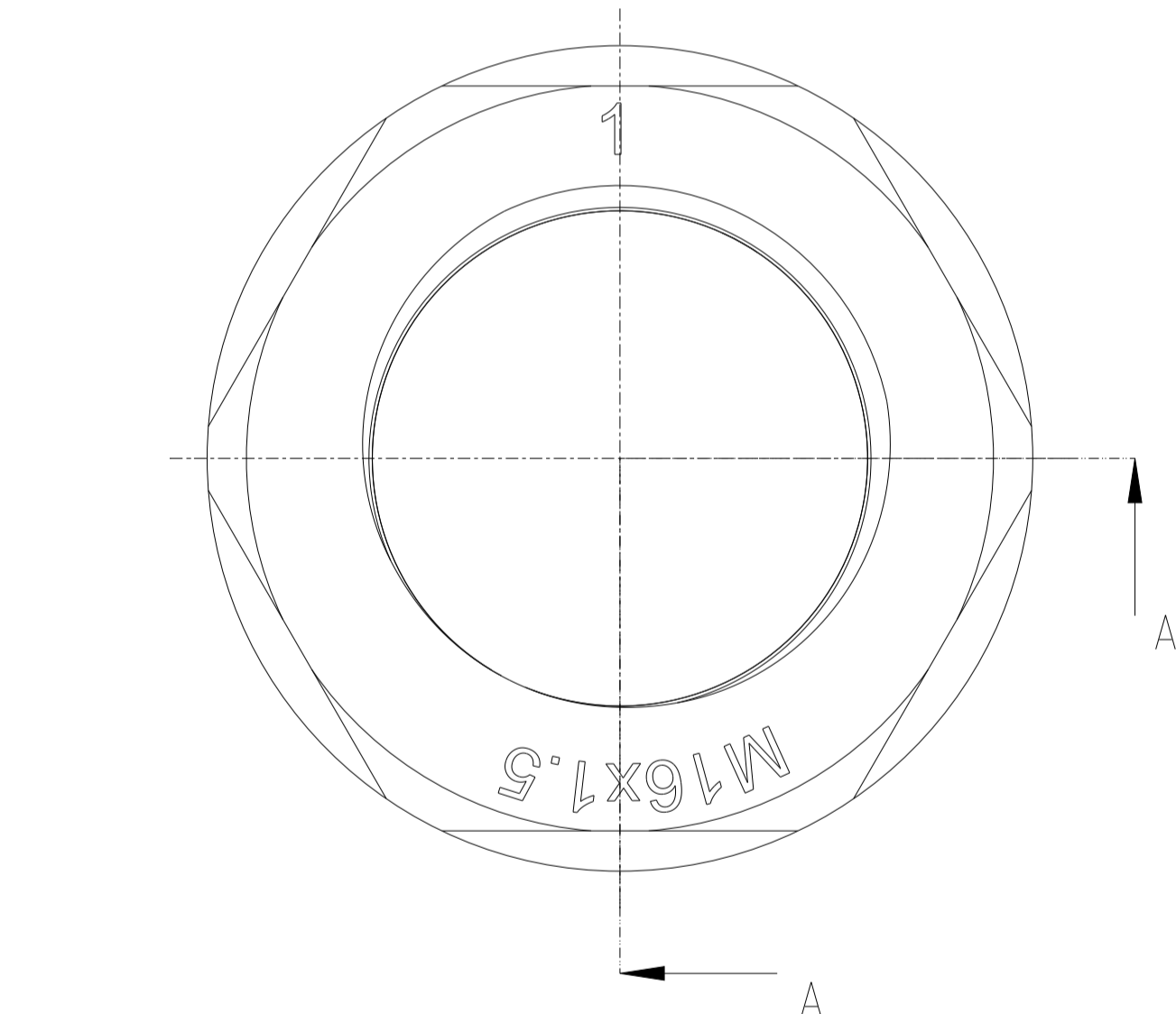
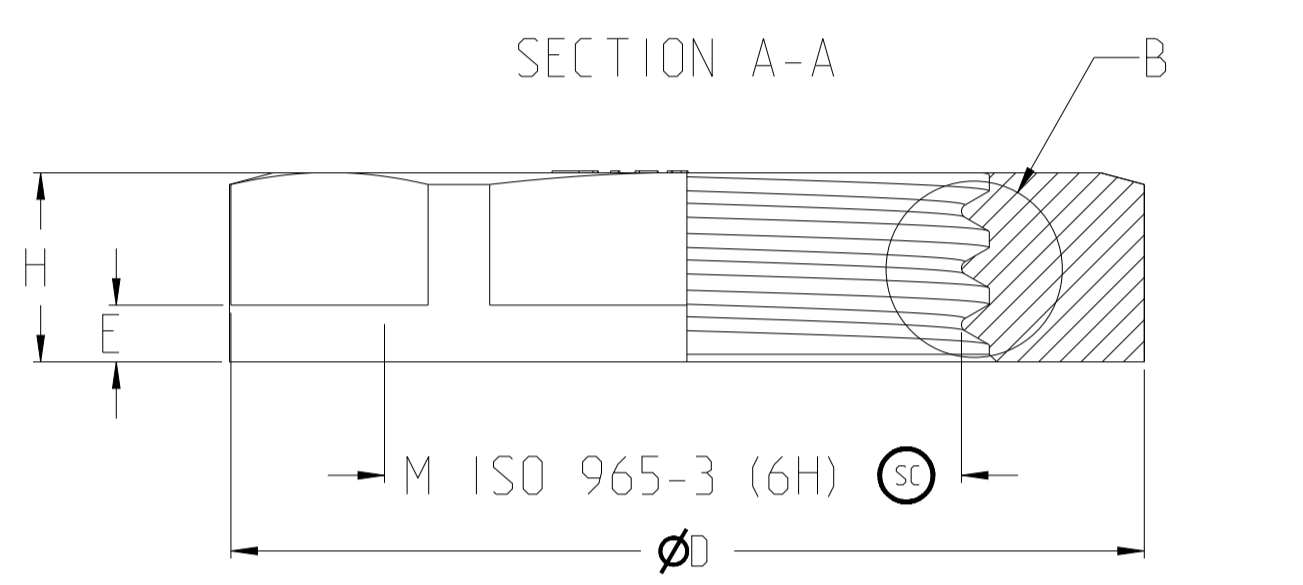
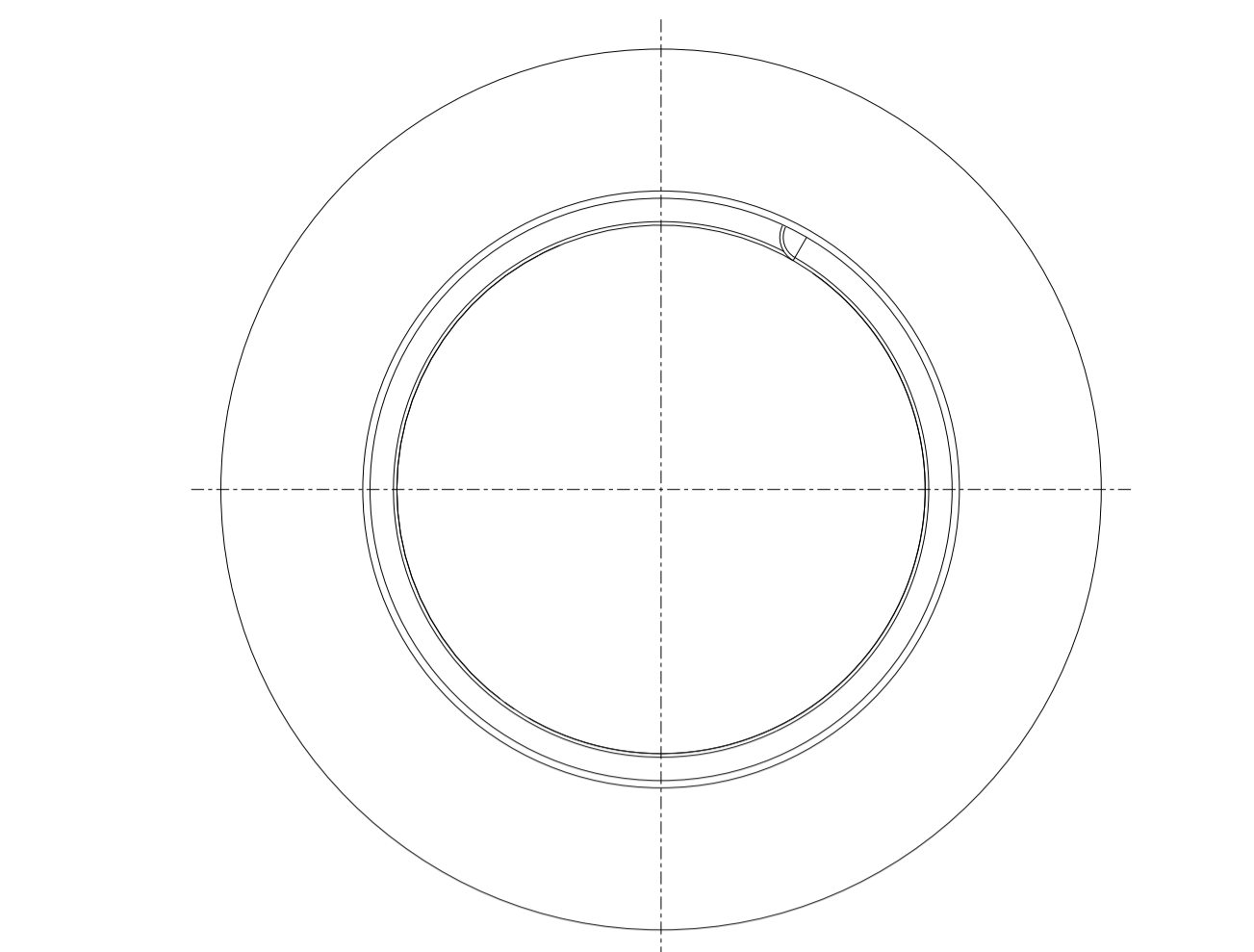
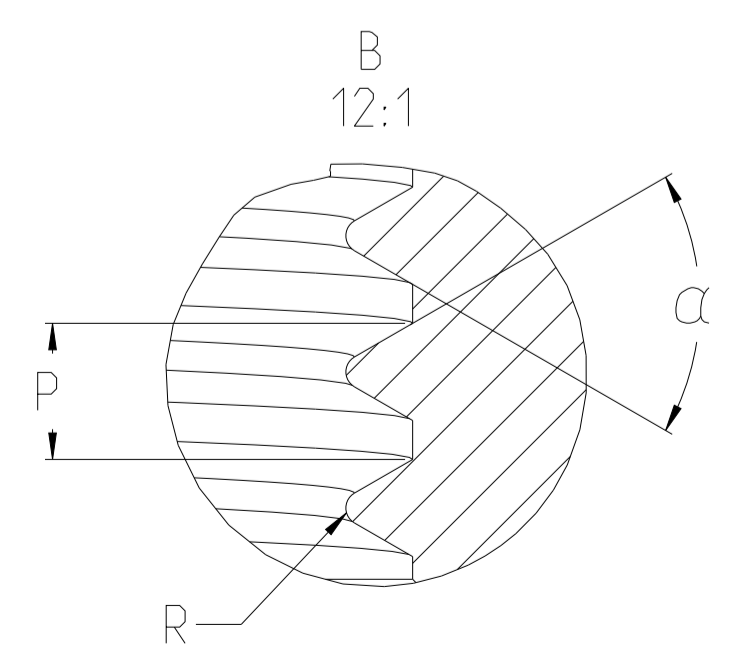


REVISIONS				
P	LTN	DESCRIPTION	DATE	APVD
A		INITIAL REVISION	14FEB2022	GN RM



TCPN	TE Product Type (Entrelec)	RAL NUMBER	COLOR	SIZE	H	E	M ISO 965-3 (6H)			R	α	P	ØD	SW DIN 475
							MAJOR DIA Ø	MINOR DIA Ø						
								Min.	Min.					
1SNG607001R0000	EP-LN-M12-LGR-A	7035	L.Grey	M12x1.5	5.0	1.2	12	10.376	10.676	0.19	60°	1.5	19.5	18
1SNG607002R0000	EP-LN-M12-GR-A	7001	Grey	M12x1.5	5.0	1.2	12	10.376	10.676	0.19	60°	1.5	19.5	18
1SNG607003R0000	EP-LN-M12-BL-A	9005	Black	M12x1.5	5.0	1.2	12	10.376	10.676	0.19	60°	1.5	19.5	18
1SNG607004R0000	EP-LN-M16-LGR-A	7035	L.Grey	M16x1.5	5.0	1.5	16	14.376	14.676	0.19	60°	1.5	24.2	22
1SNG607005R0000	EP-LN-M16-GR-A	7001	Grey	M16x1.5	5.0	1.5	16	14.376	14.676	0.19	60°	1.5	24.2	22
1SNG607006R0000	EP-LN-M16-BL-A	9005	Black	M16x1.5	5.0	1.5	16	14.376	14.676	0.19	60°	1.5	24.2	22
1SNG607007R0000	EP-LN-M20-LGR-A	7035	L.Grey	M20x1.5	6.0	1.6	20	18.376	18.676	0.19	60°	1.5	28.6	26
1SNG607008R0000	EP-LN-M20-GR-A	7001	Grey	M20x1.5	6.0	1.6	20	18.376	18.676	0.19	60°	1.5	28.6	26
1SNG607009R0000	EP-LN-M20-BL-A	9005	Black	M20x1.5	6.0	1.6	20	18.376	18.676	0.19	60°	1.5	28.6	26
1SNG607010R0000	EP-LN-M25-LGR-A	7035	L.Grey	M25x1.5	6.0	1.6	25	23.376	23.676	0.19	60°	1.5	35.0	32
1SNG607011R0000	EP-LN-M25-GR-A	7001	Grey	M25x1.5	6.0	1.6	25	23.376	23.676	0.19	60°	1.5	35.0	32
1SNG607012R0000	EP-LN-M25-BL-A	9005	Black	M25x1.5	6.0	1.6	25	23.376	23.676	0.19	60°	1.5	35.0	32
1SNG607013R0000	EP-LN-M32-LGR-A	7035	L.Grey	M32x1.5	7.0	2.0	32	30.376	30.676	0.19	60°	1.5	46.1	41
1SNG607014R0000	EP-LN-M32-GR-A	7001	Grey	M32x1.5	7.0	2.0	32	30.376	30.676	0.19	60°	1.5	46.1	41
1SNG607015R0000	EP-LN-M32-BL-A	9005	Black	M32x1.5	7.0	2.0	32	30.376	30.676	0.19	60°	1.5	46.1	41
1SNG607016R0000	EP-LN-M40-LGR-A	7035	L.Grey	M40x1.5	7.0	2.2	40	38.376	38.676	0.19	60°	1.5	55.3	50
1SNG607017R0000	EP-LN-M40-GR-A	7001	Grey	M40x1.5	7.0	2.2	40	38.376	38.676	0.19	60°	1.5	55.3	50
1SNG607018R0000	EP-LN-M40-BL-A	9005	Black	M40x1.5	7.0	2.2	40	38.376	38.676	0.19	60°	1.5	55.3	50
1SNG607019R0000	EP-LN-M50-LGR-A	7035	L.Grey	M50x1.5	8.0	2.8	50	48.376	48.676	0.19	60°	1.5	65.7	60
1SNG607020R0000	EP-LN-M50-GR-A	7001	Grey	M50x1.5	8.0	2.8	50	48.376	48.676	0.19	60°	1.5	65.7	60
1SNG607021R0000	EP-LN-M50-BL-A	9005	Black	M50x1.5	8.0	2.8	50	48.376	48.676	0.19	60°	1.5	65.7	60
1SNG607022R0000	EP-LN-M63-LGR-A	7035	L.Grey	M63x1.5	8.0	2.8	63	61.376	61.676	0.19	60°	1.5	82.5	75
1SNG607023R0000	EP-LN-M63-GR-A	7001	Grey	M63x1.5	8.0	2.8	63	61.376	61.676	0.19	60°	1.5	82.5	75
1SNG607024R0000	EP-LN-M63-BL-A	9005	Black	M63x1.5	8.0	2.8	63	61.376	61.676	0.19	60°	1.5	82.5	75
1SNG607025R0000	EP-LN-M75-LGR-A	7035	L.Grey	M75x2.0	15.0	5.0	75	72.835	73.210	0.19	60°	1.5	94.0	85
1SNG607026R0000	EP-LN-M75-GR-A	7001	Grey	M75x2.0	15.0	5.0	75	72.835	73.210	0.19	60°	1.5	94.0	85
1SNG607027R0000	EP-LN-M75-BL-A	9005	Black	M75x2.0	15.0	5.0	75	72.835	73.210	0.19	60°	1.5	94.0	85

Note:
Lock nuts having BML-XN(f1) codes are manufactured with f1 listed material.
FRIANYL A3 GF25 V0 GY 7035 is used for railway gland lock-nut.



THIS DRAWING IS A CONTROLLED DOCUMENT.		OWN: N. Hunashikallu	14FEB2022	
		CHK: Rajan D. Kasi	14FEB2022	
DIMENSIONS: mm		TOLERANCES UNLESS OTHERWISE SPECIFIED:		NAME: M-LOCK-NUT-PA
		0 PLC ±	1 PLC ±	PRODUCT SPEC: M-LOCK-NUT-PA
		2 PLC ±	3 PLC ±	APPLICATION SPEC: -
		4 PLC ±	ANGLES ±	SIZE: A
MATERIAL: PA 6 %30 GF		FINISH: -	WEIGHT: -	CAGE CODE: 00779
				DRAWING NO: ©=1SNP061318-0100
				RESTRICTED TO: -
				CUSTOMER DRAWING
				SCALE: 5:1
				SHEET: 1 OF 1
				REV: A