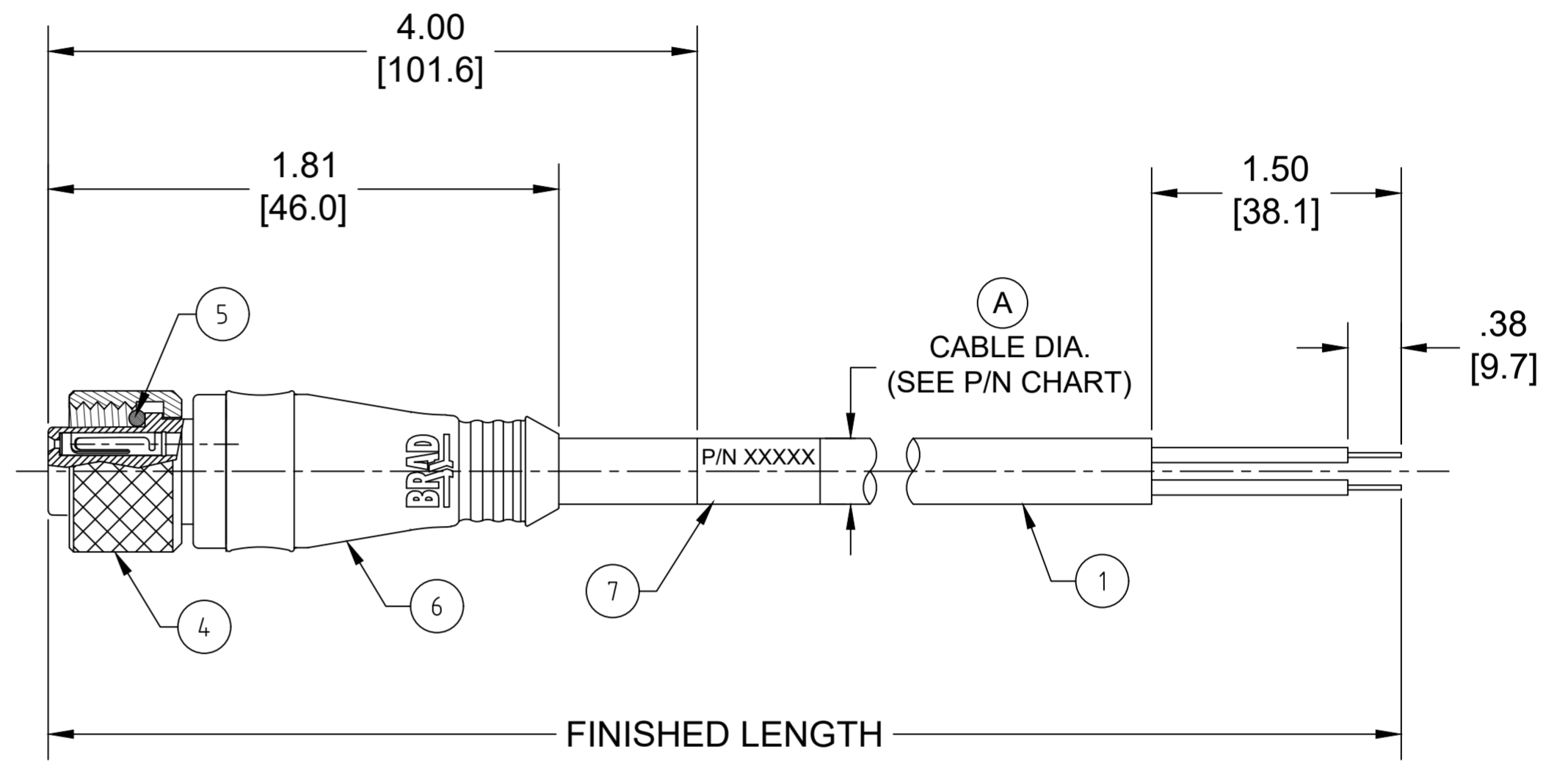
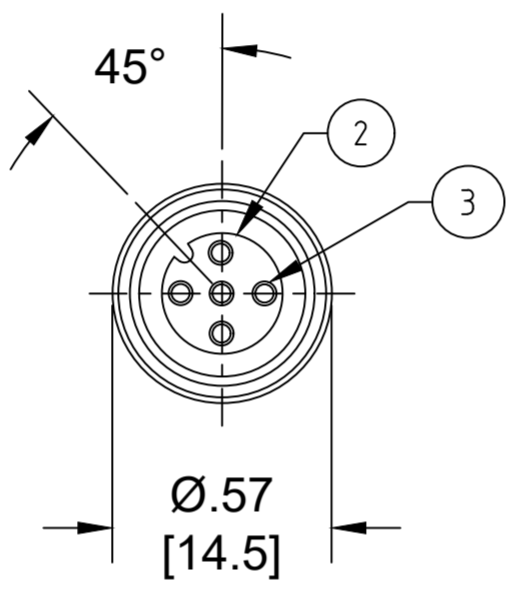


| PART NO    | ENGINEERING NO. | FINISHED LENGTH  | POLES | CABLE DIA. |
|------------|-----------------|------------------|-------|------------|
| 1200650252 | 804000A09M010   | 1M [3FT 3 IN]    | 4     | .21 [5.3]  |
| 1200652496 | 804000A09M500   | 50M [164FT]      |       |            |
| 1200650470 | 805000A09M010   | 10M [32FT 10 IN] | 5     | .22 [5.6]  |
| 1200650498 | 805000A09M300   | 30M [98FT 5 IN]  |       |            |

- NOTES:**
1. MATERIAL: AS NOTED
  2. FINISH: AS NOTED
  3. ELECTRICAL:  
VOLTAGE: 250V  
CURRENT: 4A
  4. TEMP RATING: -20°TO +105°C
  5. PROTECTION: IP67 (WHEN MATED)
  6. COUPLING THREAD: M12X1
  7. UL RECOGNIZED FILE: E152210  
CSA CERTIFIED FILE: LR6837 (A)
  8. ALL DIMENSIONS ARE FOR REFERENCE  
UNLESS TOLERANCED OR NOTED OTHERWISE



| ITEM | DESCRIPTION       | MATERIAL     | FINISH           |
|------|-------------------|--------------|------------------|
| 7    | WRAP LABEL        | VINYL        | BLACK/YELLOW     |
| 6    | OVERMOLD          | PUR          | YELLOW           |
| 5    | O-RING            | VITON        | RED              |
| 4    | COUPLING NUT      | BRASS        | NICKEL PLATED    |
| 3    | CONTACT SOCKET    | COPPER ALLOY | GOLD OVER NICKEL |
| 2    | FEMALE INSERT     | PUR          | BLACK            |
| 1    | #22/3-5 AWG CABLE | PVC          | YELLOW           |

### PART NUMBER LEGEND

## 804000A09M003

POLES (4 & 5)      FINISHED LENGTH  
 M005 = 0.5 METER  
 M010 = 1 METER  
 M100 = 10 METER

(A) CABLE LENGTH TOLERANCES

|                          |                         |
|--------------------------|-------------------------|
| <.3M [1FT]:              | +19mm-0 [+ .75in-0]     |
| .3 - .9M [1 - 3FT]:      | +44.5mm-0 [+1.75in-0]   |
| .9 - 1.8M [3 - 6FT]:     | +55.6mm-0 [+2.19in-0]   |
| 1.8 - 3.7M [6 - 12FT]:   | +88.9mm-0 [+3.50in-0]   |
| 3.7 - 7.3M [12 - 24FT]:  | +165.1mm-0 [+6.50in-0]  |
| 7.3-14.6M [24 - 48FT]:   | +317.5mm-0 [+12.50in-0] |
| 14.6 - 30.5M [48-100FT]: | +622.3mm-0 [+24.50in-0] |
| OVER 30M [100FT]:        | +2% OF FINISHED LENGTH  |

|  |   |   |   |                   |                |
|--|---|---|---|-------------------|----------------|
| FUNCTIONAL SYMBOLS                                   | THIS DRAWING CONTAINS INFORMATION THAT IS PROPRIETARY TO MOLEX ELECTRONIC TECHNOLOGIES, LLC AND SHOULD NOT BE USED WITHOUT WRITTEN PERMISSION |   |   |                   |                |
| <br><br>   | DIMENSION UNITS   | SCALE   | CURRENT REV DESC: REMOVED 3-POLE DETAILS. ITEM #7 WAS MYLAR. ADDED CABLE DIA, CSA NUMBER & TOL CHART. MODIFIED MATERIAL NUMBER CHART. |                   |                |
|  | INCH/MM   | NTS   | EC NO: 698297<br>DRWN: ABENJAMINLW 2021/09/29<br>CHK'D: RSTONE 2022/03/16<br>APPR: BWOODMAN 2022/03/26                                |                   |                |
| GENERAL TOLERANCES (UNLESS SPECIFIED)                |   | DIVISIONAL SYMBOLS<br>4 PLACES ±---- ±----<br>3 PLACES ±---- ±----<br>2 PLACES ±---- ±----<br>1 PLACE ±---- ±----<br>0 PLACES ±---- ±----<br>ANGULAR TOL ± ---- ° |   |                   |                |
| THIRD ANGLE PROJECTION<br>                           |   | DRAWING   | SERIES  | MATERIAL NUMBER   | CUSTOMER       |
| DRAFT WHERE APPLICABLE MUST REMAIN WITHIN DIMENSIONS |   | C-SIZE  | 120065  | SEE CHART         | GENERAL MARKET |
|  |   | DOCUMENT NUMBER   |   | DOC TYPE/DOC PART | REVISION       |
|  |   | SD-120065-026   |   | PSD 001           | A              |
|  |   | SHEET NUMBER  |   | 1 OF 1            |                |