

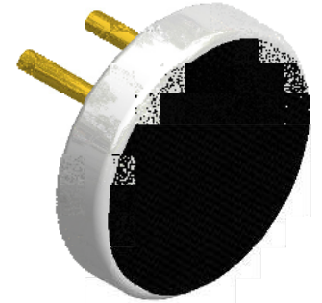
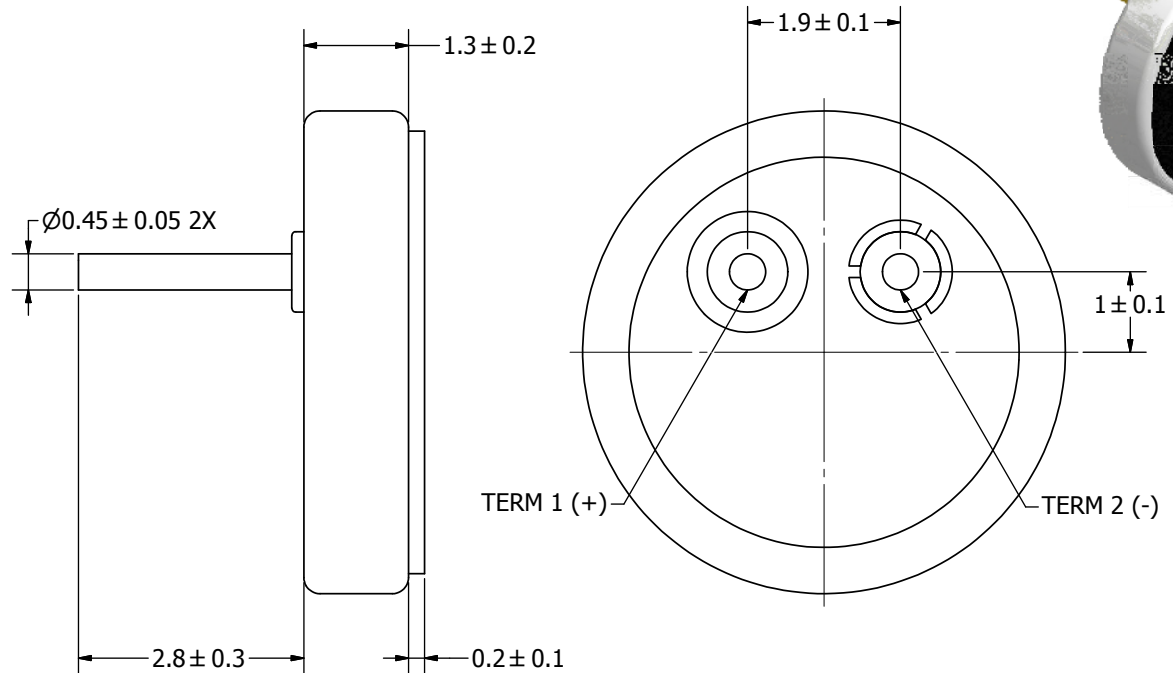
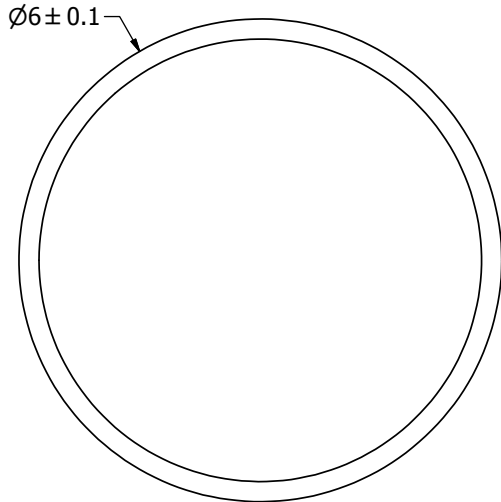
SPECIFICATIONS

| PARAMETERS | VALUES | UNIT |
|------------------------------|---------|------|
| DIRECTIVITY | OMINI | - |
| SENSITIVITY | -45 ± 4 | dB |
| STANDARD OPERATING VOLTAGE | 2 | Vdc |
| MAX OPERATING VOLTAGE | 10 | Vdc |
| CURRENT CONSUMPTION (MAX) | 0.5 | mA |
| IMPEDANCE | 2.2 | KOhm |
| SIGNAL TO NOISE RATIO (MIN.) | 55 | dB |
| TERMINAL | PIN | - |
| INTERNAL CAPACITOR | 33 & 10 | pF |
| OPERATING TEMPERATURE | -20~60 | °C |

THIS DOCUMENT CONTAINS DATA PROPRIETARY TO PROJECTS UNLIMITED, INC. ANY USE OR REPRODUCTION, IN ANY FORM, WITHOUT PRIOR WRITTEN PERMISSION OF PROJECTS UNLIMITED, INC. IS PROHIBITED.
©2003, Projects Unlimited Inc.


REVISION HISTORY

| LTR | DESCRIPTION | DATE | APPROVED |
|-----|--|-----------|----------|
| - | RELEASED FROM ENGINEERING | 7/11/2013 | |
| A | REVISED TO INVENTOR 3-D DRAWING TEMPLATE | 8/14/2013 | B.R. |



NOTES:

1. ALL DIMENSIONS ARE IN MILLIMETERS.
2. SPECIFICATIONS SUBJECT TO CHANGE OR WITHDRAWAL WITHOUT NOTICE.
3. THIS PART IS RoHS 2011/65/EU COMPLIANT.
4. THIS PART IS BACK ELECTRET.

| | | | | | | | | |
|--|-------------------|---|-----------|------------|-----------------------------------|-------------|-----------|------------|
| UNLESS OTHERWISE SPECIFIED: DIMENSIONS ARE IN MILLIMETERS, TOLERANCES ARE ±0.5 AND ANGLES ARE ±3°. | SIZE A3 | Designed by | Date | Checked by | Date | Approved by | Date | Drawn Date |
| | | J.D. | 7/11/2013 | M.L. | 7/11/2013 | B.R. | 7/11/2013 | 8/14/2013 |
| POM-1345P-C3310-R (Back Electret).idw | |  pui audio <small>a projects unlimited company</small> | | | POM-1345P-C3310-R (Back Electret) | | | |
| Microphone | | | | | | Edition | Sheet | |
| | | | | | | - | 1 / 1 | |