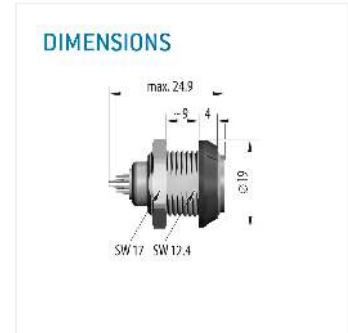
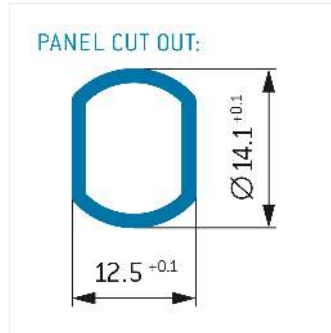
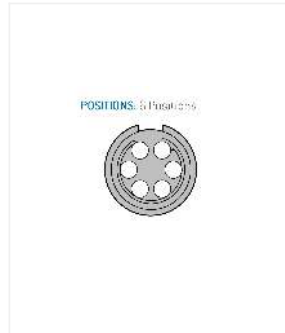


## General information

Part number	G51MA7-P06NFG0-0060
Termination	crimp
Size	1
Locking principle	break, push
Coding	a key medi



## Contact insert description

Number of contacts	6
Contact type	sockets
Contact diameter	07mm
Insulator material	peek
Wire cross section	22-26 awg
Termination	crimp

reverse\_gender\_on\_request

## Technical information

Max. creepage and air clearance distance	065 mm	
Nominal current single contact	075 a	iec_60512_5_2
Nominal current insert	5,625 A	vde_0298_4
Test voltage	135 kv_dc	sae_13441

safety\_text

## Mechanical and environmental data

Degree of protection*	ip50
Operating temperature	50_120_c
Mating cycles	5000

mated unmated

## Insulator materials MEDI-SNAP®

psu\_peek

## Material and surface treatments

Housing	psu_gray
Color option	blue
Contact	cu_alloy_gold

safety\_text\_2  
ul\_text  
illustrative\_text