

Han 3HC250 Frame for HPR-Compact

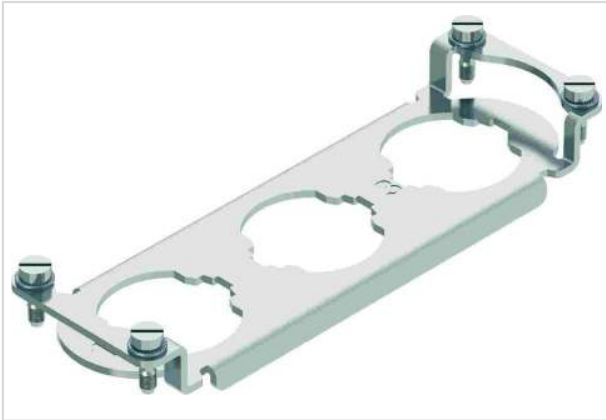


Image is for illustration purposes only. Please refer to product description.

Part number	09 40 524 9943
Specification	Han 3HC250 Frame for HPR-Compact
HARTING eCatalogue	https://b2b.harting.com/09405249943

Identification

Category	Accessories
Series of hoods/housings	Han [®] HPR Compact
Type of accessory	Frame
Description of the accessory	for male inserts for female inserts 3x Han [®] HC Modular 250

Version

Size	24 B
------	------

Technical characteristics

Tightening torque	0.5 Nm Fixing screws M3
-------------------	-------------------------

Material properties

Material (accessories)	Metal
RoHS	compliant
ELV status	compliant
China RoHS	e
REACH Annex XVII substances	Not contained
REACH ANNEX XIV substances	Not contained
REACH SVHC substances	Not contained
California Proposition 65 substances	Not contained



Pushing Performance
Since 1945

Commercial data

Packaging size	1
Net weight	37 g
Country of origin	China
European customs tariff number	85389099
GTIN	5713140193987
eCl@ss	27440210 Fixing element for industrial connectors