

1801178-1 ✓ ACTIVE

## Sensor Flat Contact System

TE Internal #: 1801178-1

Housing for Female Terminals, Wire-to-Wire, 3 Position, .131 in [3.33 mm] Centerline, Sealable, Black, Wire & Cable, Sensor Flat Contact System

[View on TE.com >](#)



Connectors > Automotive Connectors > Automotive Housings



Connector & Housing Type: **Housing for Female Terminals**

Mating Tab Width: **1.5 mm [ .06 in ]**

Connector System: **Wire-to-Wire**

Number of Positions: **3**

Centerline (Pitch): **3.33 mm [ .131 in ]**

### Features

#### Product Type Features

Connector Shape	Rectangular
Connector & Housing Type	Housing for Female Terminals
Connector System	Wire-to-Wire
Sealable	Yes
Hybrid Connector	No
Primary Locking Feature	On the Terminal
Connector & Contact Terminates To	Wire & Cable

#### Configuration Features

Number of Positions	3
Number of Rows	1

#### Electrical Characteristics

Operating Voltage	16 VDC
Nominal Voltage Architecture	16 V

#### Body Features

Cable Exit Angle	180°
Primary Product Color	Black
Connector & Keying Code	1

#### Contact Features



Contact Size	1.5mm
Contact Type	Receptacle
Mating Tab Width	1.5 mm[.06 in]
Contact Current Rating (Max)	8 A

### Mechanical Attachment

Terminal Position Assurance	Yes
Strain Relief	Add By Accessory
Mating Alignment Type	Keyed
Mating Alignment	With
Connector Mounting Type	Cable Mount (Free-Hanging)

### Housing Features

Housing Material	PBT GF
Centerline (Pitch)	3.33 mm[.131 in]

### Dimensions

Connector Height	19.65 mm[.773 in]
Product Width	35.05 mm[1.38 in]
Product Length	21.33 mm[.84 in]

### Usage Conditions

Operating Temperature (Max)	70 °C, 75 °C, 80 °C, 85 °C, 90 °C, 100 °C, 105 °C, 110 °C, 120 °C, 125 °C, 130 °C, 140 °C, 145 °C, 150 °C[158 °F][167 °F][176 °F][185 °F][194 °F][212 °F][221 °F][230 °F][248 °F][257 °F][266 °F][284 °F][293 °F][302 °F]
Operating Temperature Range	-40 – 150 °C[-40 – 302 °F]

### Operation/Application

Circuit Application	Signal
---------------------	--------

### Industry Standards

Degree of Protection	IP69K
UL Flammability Rating	UL 94HB

### Other

Serviceable	Yes
Connector Position Assurance Capable	No



## Product Compliance









For compliance documentation, visit the product page on TE.com>

EU RoHS Directive 2011/65/EU	Compliant
EU ELV Directive 2000/53/EC	Compliant
China RoHS 2 Directive MIIT Order No 32, 2016	No Restricted Materials Above Threshold
EU REACH Regulation (EC) No. 1907/2006	Current ECHA Candidate List: JUNE 2023 (235) Candidate List Declared Against: JAN 2023 (233) Does not contain REACH SVHC
Halogen Content	BFR/CFR/PVC Free, but Br/Cl >900 ppm in other sources.
Solder Process Capability	Not applicable for solder process capability

### Product Compliance Disclaimer

This information is provided based on reasonable inquiry of our suppliers and represents our current actual knowledge based on the information they provided. This information is subject to change. The part numbers that TE has identified as EU RoHS compliant have a maximum concentration of 0.1% by weight in homogenous materials for lead, hexavalent chromium, mercury, PBB, PBDE, DBP, BBP, DEHP, DIBP, and 0.01% for cadmium, or qualify for an exemption to these limits as defined in the Annexes of Directive 2011/65/EU (RoHS2). Finished electrical and electronic equipment products will be CE marked as required by Directive 2011/65/EU. Components may not be CE marked. Additionally, the part numbers that TE has identified as EU ELV compliant have a maximum concentration of 0.1% by weight in homogenous materials for lead, hexavalent chromium, and mercury, and 0.01% for cadmium, or qualify for an exemption to these limits as defined in the Annexes of Directive 2000/53/EC (ELV). Regarding the REACH Regulation, the information TE provides on SVHC in articles for this part number is based on the latest European Chemicals Agency (ECHA) 'Guidance on requirements for substances in articles' posted at this URL: <https://echa.europa.eu/guidance-documents/guidance-on-reach>

## Compatible Parts

 <p>TE Part # CAT-AM706-T273 AMP MCP, SFC, RECEPTACLE</p>	 <p>TE Part # 1801177-1 3W TAB CONNECTOR HP BLACK</p>	 <p>TE Part # 1801467-1 COVER, FIXED, 3 WAY HP CONNECTOR</p>	 <p>TE Part # 1-1579008-0 EXTRACTION TOOL TO OPEN SECONDARY LOCK</p>
 <p>TE Part # 1-1801467-1 COVER, FIXED, 3 WAY HP CONNECTOR</p>	 <p>TE Part # 1-1801467-2 COVER, FIXED, 3 WAY HP CONNECTOR</p>	 <p>TE Part # 1801467-2 COVER, FIXED, 3 WAY HP CONNECTOR</p>	 <p>TE Part # 6-1579018-2 EXTRACTION TOOL</p>

## Also in the Series | Sensor Flat Contact System



Automotive Connector Caps & Covers  
(12)



Automotive Housings(56)



Automotive Terminals(23)

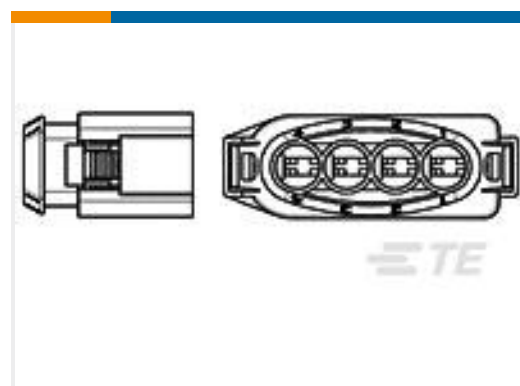


Insertion & Extraction Tools(7)

## Customers Also Bought



TE Part #953698-2  
MQS, CONNECTOR HOUSING



TE Part #1355164-1  
SPT FLA-KONT-GEH 4P



TE Part #1801175-1  
2W RECEPTACLE HP CONNECTOR  
BLACK



TE Part #1-2236343-5  
3POS, MCON 1.2 LL REC SEALED



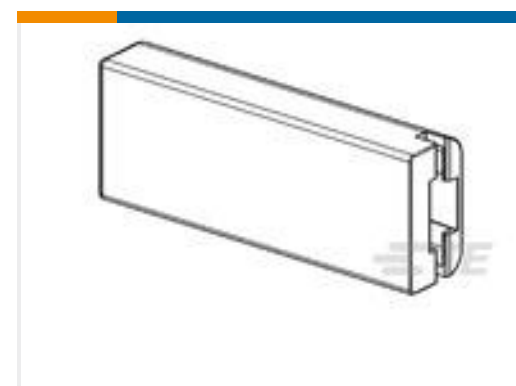
TE Part #1801178-2  
3W RECEPTACLE HP CONNECTOR  
BLUE



TE Part #1801179-3  
3W RECEPTACLE HPSL CONNECTOR  
GREY



TE Part #1801823-1  
4POS,MCON 0.5 CB,REC HSG,BLACK,  
ASSY,SLD



TE Part #1544408-3  
CAP. POLYAMID CLIP

## Documents

### Product Drawings

[3W RECEPTACLE HP CONNECTOR BLACK](#)

English

### CAD Files

Customer View Model

[ENG\\_CVM\\_CVM\\_1801178-1\\_E.2d\\_dxf.zip](#)

English

### 3D PDF

3D

Customer View Model

[ENG\\_CVM\\_CVM\\_1801178-1\\_E.3d\\_igs.zip](#)

English

Customer View Model

[ENG\\_CVM\\_CVM\\_1801178-1\\_E.3d\\_stp.zip](#)



English

By downloading the CAD file I accept and agree to the [Terms and Conditions](#) of use.

### Product Specifications

[Product Specification](#)

English

### Instruction Sheets

[Instruction Sheet \(non U.S.\)](#)

English