



CVX-ST & CVX-HO

LED FLEXIBLE LINEAR
24VDC LED FLEXIBLE TAPE

Type	
Project	
Catalog No.	



CVX-ST



CVX-HO

DESCRIPTION

CVX is JESCO Lighting's value engineered flexible LED tape. The tape comes in two levels of lumen output. CVX-ST is sold in 30 ft and 100 ft reels, CVX-HO is sold in 20 ft and 100 ft reels. CVX is field-cuttable for shorter runs. Cut ends can be linked with connectors (sold separately in packs of 10). Made of highly flexible material that can be applied to most surfaces categorized as having high surface energy using pre-attached 3M™ double sided tape. The tape is Triac dimmable using our standard dimmable drivers.

SPECIFICATIONS

Input Voltage	24V DC
LEDs (per ft)	18
Ambient Temperature *	-4 - 122°F (-20 ~ 50°C)
Operating Temperature *	-4 - 176°F (-20 ~ 80°C)
Dimensions	5/16" W x 1/8"H
Max Run†	30 ft for CVX-ST 20 ft for CVX-HO
Min Run / Cut length†	3-15/16"
Beam Angle	120°
Environment	Indoor – Dry
Certifications	US LISTED
Warranty	3 Years – see published warranty terms for detailed information.

* Exceeding the ambient or operating temperature values may damage the LEDs by reducing the lifespan, lumen output, and/or adversely impact color consistency. It is recommended adequate airflow and heatsinking be taken into consideration in the installation and application of this product. Improper thermal management may lead to premature product failure and void the warranty.

† Single runs can not exceed max run length. Cuts can only be made on the cutting mark.

PHOTOMETRIC DATA

PART NUMBER	CCT CRI	POWER (+/- 10%)	LUMEN (+/- 10%)	EFFICACY
CVX-ST-3090	2900-3200K 90+ CRI	2.7 W/ft	225.6 lm/ft	83.6 lm/W
CVX-ST-4090	3700-4250K 90+ CRI	2.7 W/ft	243.6 lm/ft	90.2 lm/W
CVX-HO-3090	2900-3200K 90+ CRI	3.9 W/ft	300.1 lm/ft	76.9 lm/W
CVX-HO-4090	3700-4250K 90+ CRI	3.9 W/ft	324.2 lm/ft	83.1 lm/W

FEATURES

- Two levels of lumen output to meet all your application needs
- Field-cuttable
- Cut ends can be linked with connectors. No soldering required
- Mounts easily with 3M™ hi-bond adhesive tape on back
- Low profile and flexible
- Low power consumption, low heat output
- No UV/IR radiation, no mercury
- Dimmable

APPLICATIONS

- Under-shelf and under-cabinet lighting
- Cove and soffit lighting
- Path and contour marking
- Display lighting
- Accent and edge lighting
- Backlighting
- Signage



CVX-ST & CVX-HO

LED FLEXIBLE LINEAR
24VDC LED FLEXIBLE TAPE

Type	
Project	
Catalog No.	

ORDERING INFORMATION

SERIES	COLOR	REEL LENGTH
CVX-ST	<input type="text"/>	<input type="text"/>
	3090 – 2900-3200K/90+CRI	30FT – 30FT
	4090 – 3700-4250K/90+CRI	100FT – 100FT

CVX-ST is packed in 30 ft or 100 ft reel lengths.
 30 ft reel comes with a plug-and-play connector pre-soldered at one end, (2) CVX-PC and (2) CVX-2WR-CONN are also included with the reel.
 100 ft reel comes with (10) CVX-PC, (10) CVX-PC-HW and (20) CVX-2WR-CONN included with the reel.
Example: CVX-ST-3090-30FT, CVX-ST-3090-100FT

SERIES	COLOR	REEL LENGTH
CVX-HO	<input type="text"/>	<input type="text"/>
	3090 – 2900-3200K/90+CRI	20FT – 20FT
	4090 – 3700-4250K/90+CRI	100FT – 100FT

CVX-HO is packed in 20 ft or 100 ft reel lengths.
 20 ft reel comes with a plug-and-play connector pre-soldered at one end, (2) CVX-PC and (2) CVX-2WR-CONN are also included with the reel.
 100 ft reel comes with (10) CVX-PC, (10) CVX-PC-HW and (20) CVX-2WR-CONN included with the reel.
Example: CVX-HO-3090-20FT, CVX-HO-3090-100FT

Contact JESCO for reel sizes of 200ft, 400ft or custom lengths.

CONNECTORS

	CVX-PC-10PACK Plug and Play Power Connector – 8 inch wire Can only be connected to ends cut along the cutting mark. Cannot be used with pieces cut where soldered. Sold in packs of 10.		CVX-2WR-CONN-10PACK 2-Wire Direct Connector Connects cut ends where indicated by a cutting mark of CVX-ST or CVX-HO Cannot be used with pieces cut where soldered. Sold in packs of 10.
	CVX-PC-HW-10PACK Hard Wire Power Connector - 7 inch wire Can only be connected to ends cut along the cutting mark. Cannot be used with pieces cut where soldered. Sold in packs of 10.		CVX-CC-6-10PACK : 6 inch CVX-CC-12-10PACK : 12 inch CVX connecting cable Connects cut ends where indicated by a cutting mark of CVX-ST or CVX-HO Cannot be used with pieces cut where soldered. Sold in packs of 10.

**Avoid cutting on soldered joints. Segments starting with solder joints will not work with connectors.
 **All dimensions are nominal
 **NOTE: 20 ft, 30 ft and 100 ft reels come with connectors included in the bag (see ORDERING INFORMATION section for more details).
 Additional connectors can also be bought in packs of 10 as shown above.

CONNECTOR USAGE TIPS

CVX PCB	CVX-PC / CVX-PC-HW	CVX-2WR-CONN
<p>LED STRIP ENDS WITH SOLDER JOINT WILL NOT WORK WITH CONNECTOR</p>	<p>CHECK POLARITY</p>	<p>CHECK POLARITY</p>



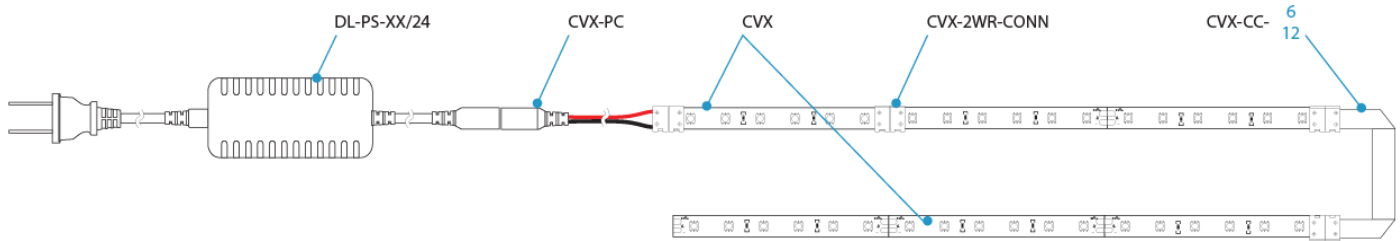
CVX-ST & CVX-HO

LED FLEXIBLE LINEAR
24VDC LED FLEXIBLE TAPE

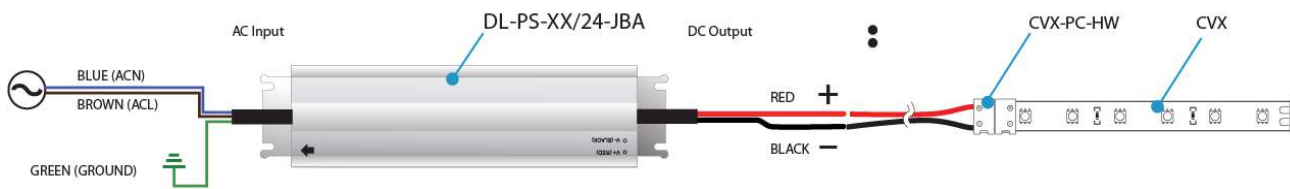
Type	
Project	
Catalog No.	

WIRING DIAGRAMS – For reference purposes only. Not to scale.

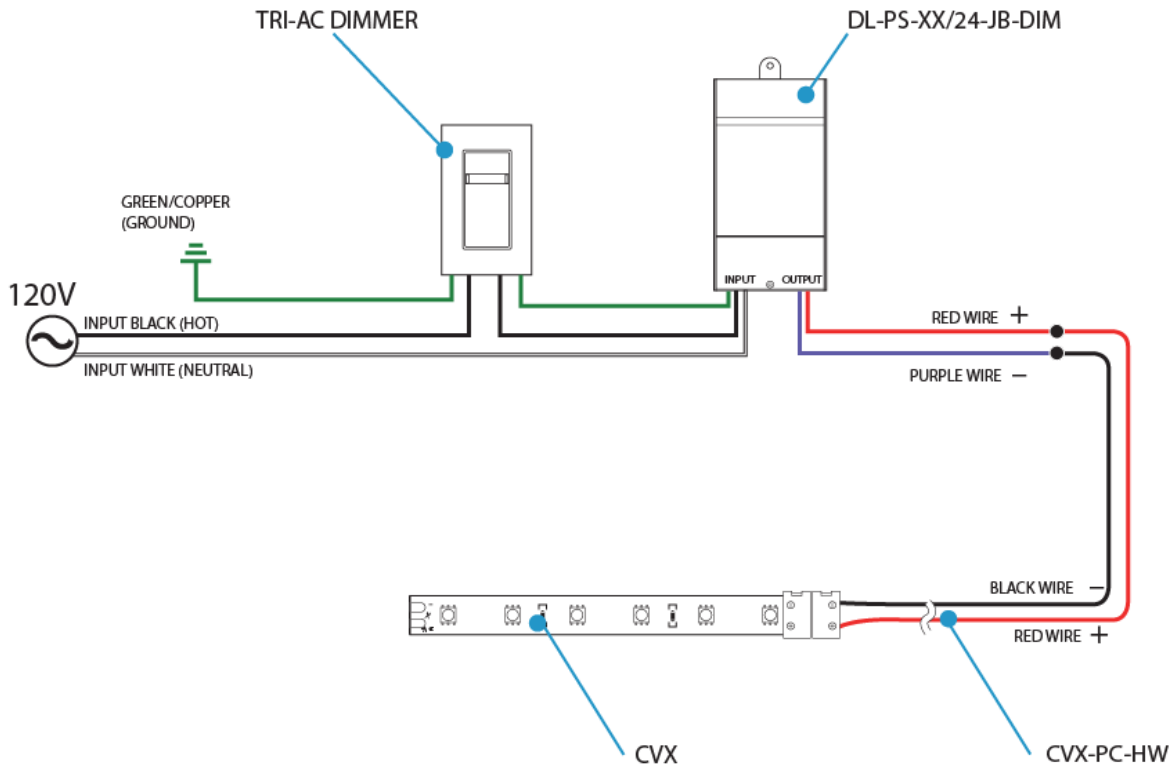
PLUG & PLAY



HARDWIRE



TRIAC Dimming For dimming see DL-PS-XX/24-JB-DIM or DL-PS-XX/24-HW-DIM series specification sheet (minimum 8W load is required)





CVX-ST & CVX-HO

LED FLEXIBLE LINEAR
24VDC LED FLEXIBLE TAPE

Type	
Project	
Catalog No.	

POWER SUPPLIES

24V Hard-Wire Power Supplies UL Recognized	
Model Number	Wattage
DL-PS-20/24-HWA	20
DL-PS-60/24-HWA	60
DL-PS-96/24-HWA	96

24V Hard-Wire Power Supplies in Junction Box UL Listed (with Junction Box)	
Model Number	Wattage
DL-PS-20/24-JBA	20
DL-PS-60/24-JBA	60
DL-PS-96/24-JBA	96

24V Plug and Play Power Supplies UL Listed	
Model Number	Wattage
DL-PS-WP24/24	24
DL-PS-24/24	24
DL-PS-48/24	48
DL-PS-60/24	60
DL-PS-60/24-CL2*	60
DL-PS-90/24-CL2*	90
DL-PS-100/24-CL2 *	96

* Class 2




24V Hard-Wire Dimmable Power Supplies UL Recognized	
Model Number	Wattage
DL-PS-40/24-HW-DIM*	40
DL-PS-60/24-HW-DIM*	60
DL-PS-100/24-HW-DIM*	96



*Min. 8W load required for proper dimming

24V Hard-Wire Dimmable Power Supplies in Junction Box UL Listed (with Junction Box)	
Model Number	Wattage
DL-PS-40/24-JB-DIM*	40
DL-PS-60/24-JB-DIM*	60
DL-PS-100/24-JB-DIM*	96

*Min. 8W load required for proper dimming

PLUG & PLAY POWER SUPPLY ACCESSORIES

	Part Number	Description
	DL-PS-2Y	2-Way split power feed connects multiple home runs to a single power supply. Can be used with other splitters. Feed: 7-1/2" L Connector Runs: 10-3/4" L
	DL-PS-PT-M	4" Male 2-wire controller input power connector For connecting plug and play supplies to hard-wire equipment or lighting controllers
	DL-PS-EXT48	48" LED Driver Extension
	DL-PS-EXT96	96" LED Driver Extension

	Part Number	Description
	DL-PS-3Y	3-Way split power feed connects multiple home runs to a single power supply. Can be used with other splitters. Feed: 11-1/4" L Connector Runs: 12-1/4" L
	DL-PS-PT-F	12" Female 2-wire controller input power connector For connecting plug and play supplies to hard-wire equipment or lighting controllers