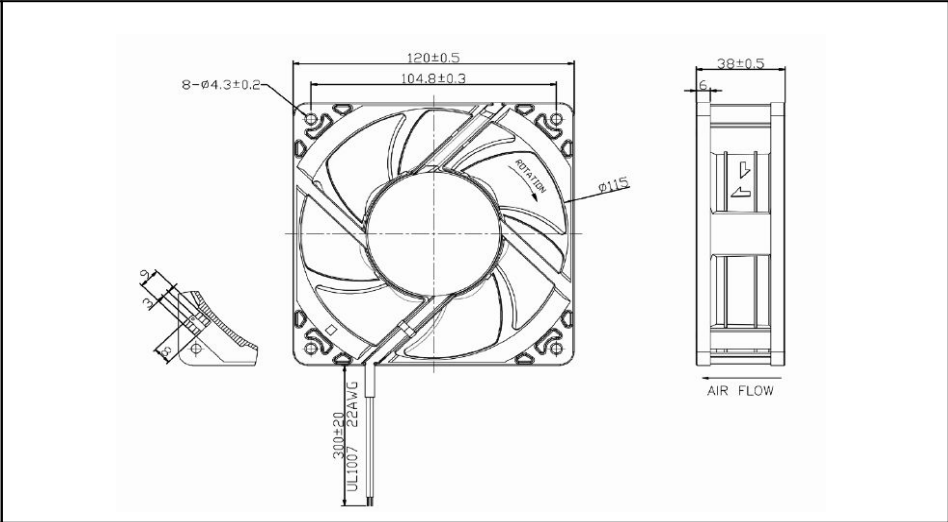


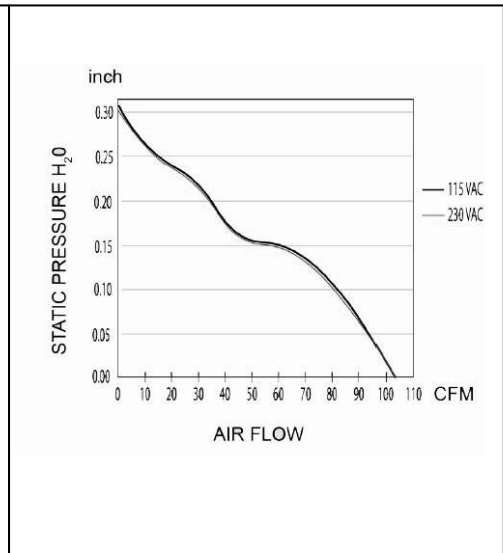
# OA109EC



EC Fan - Universal Input  
120mm x 38mm (4.7" x 1.5")



Frame	PBT, UL 94 V-0 Plastic	<b>Operating Temperature</b> -20°C ~ +70°C  <b>Storage Temperature</b> -20°C ~ +75°C  <b>Life Expectancy</b> 60,000 Hours (L10 at 40°C)  <b>Available Options</b> PWM Speed Control Input Tachometer Output Alarm Output IP Ratings ATEX Rating  Weight: 0.64 lbs
Impeller	PBT, UL 94 V-0 Plastic	
Connection	2x Wire Leads, 22 AWG, or Terminals	
Motor	AC-DC Energy Saving, Electronically Protected	
Bearing System	Ball Bearings	
Dielectric Strength	1500VAC/min, <1mA	
Insulation Resistance	≥10MΩ @ 500 VDC	



Part Number	OA109EC-UR-1*B
Rated Voltage (Volts AC)	115 / 230 Universal Input, 50 / 60 Hz
Voltage Range (Volts AC)	90 ~ 265
Input Power (Watts)	4.9W @ 115V, 5.2W @ 230V
Rated Current (Amps)	.08A @ 115V, .06A @ 230V
Rated Speed (RPM)	3200
Max Airflow (CFM)	106
Noise Level (dBA)	43
Max Static Pressure (" H <sub>2</sub> O)	0.34

\*Indicate "T" (Terminal), or "W" (Wire Leads)