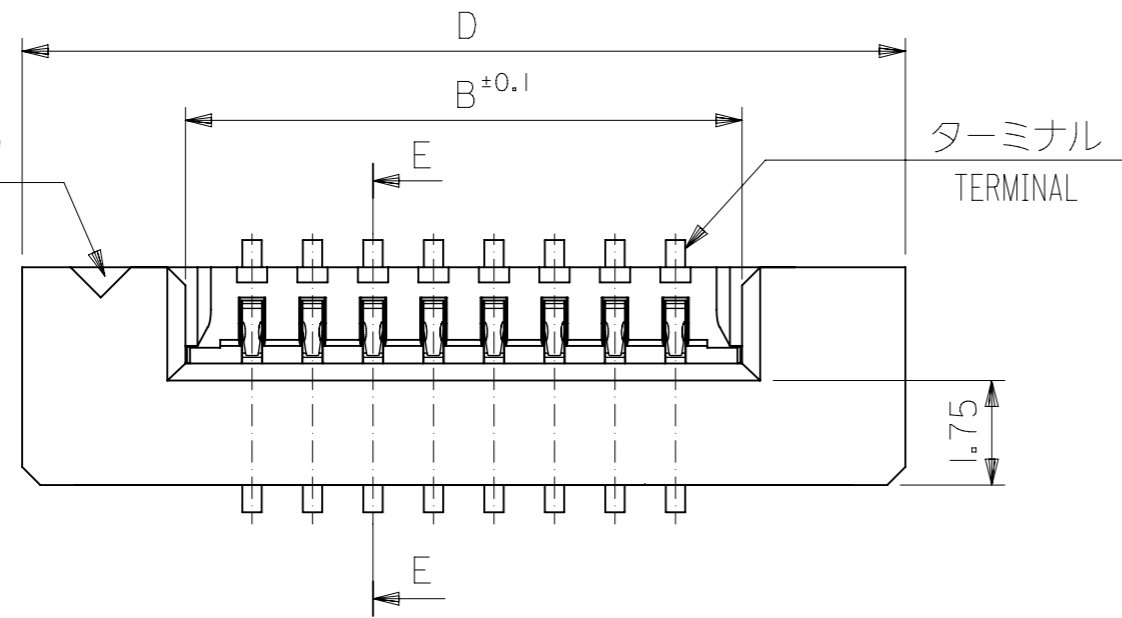
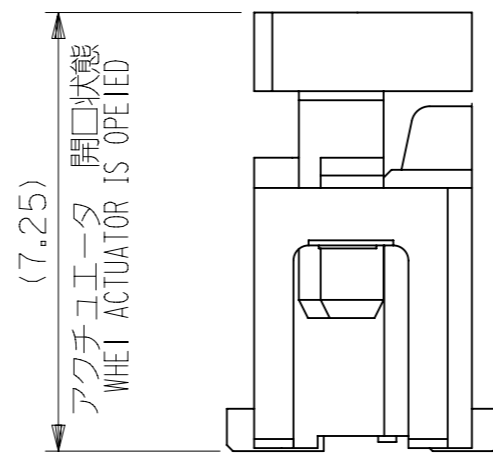


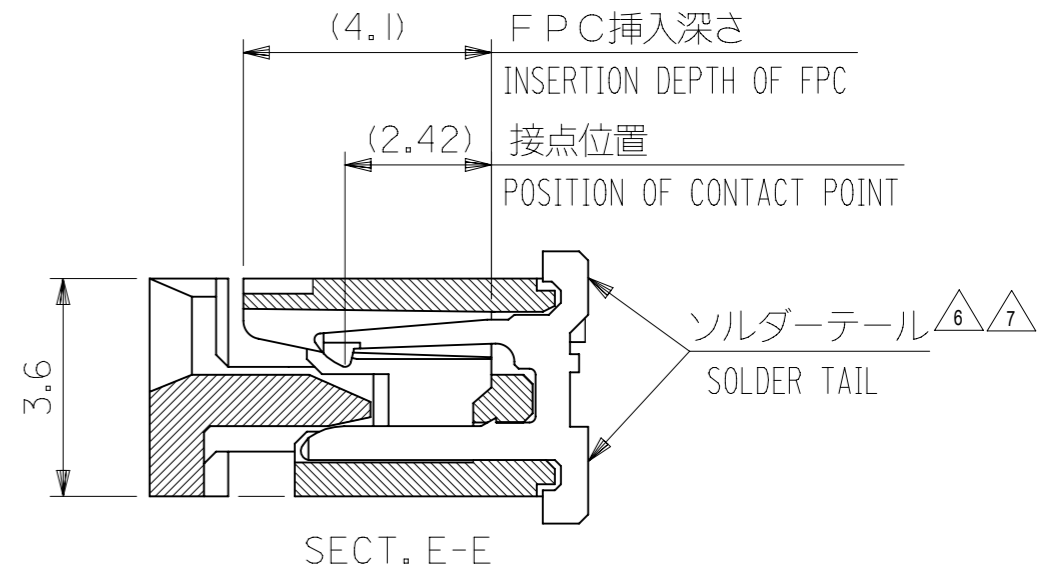
回路番号1マーク  
CIRCUIT NO. 1 MARK



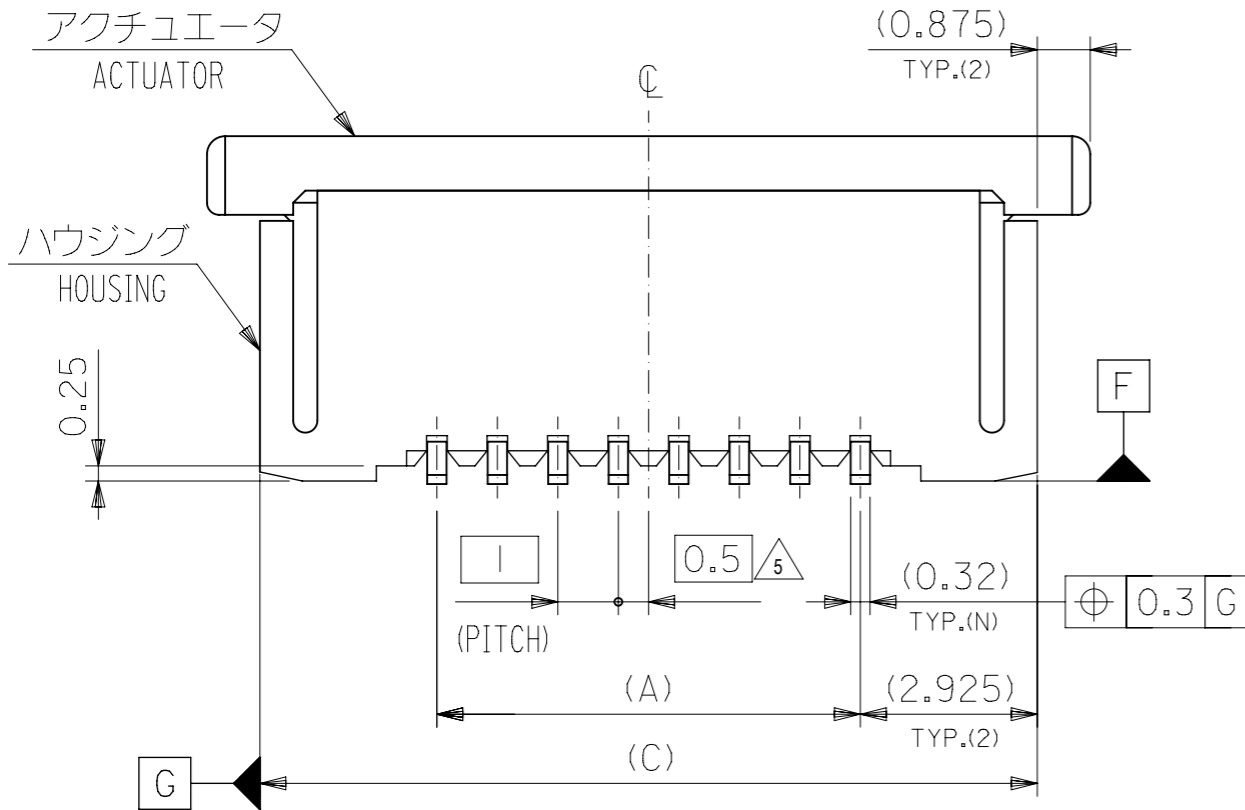
ターミナル  
TERMINAL



アクチュエータ 開口状態  
WHEI ACTUATOR IS OPEIED

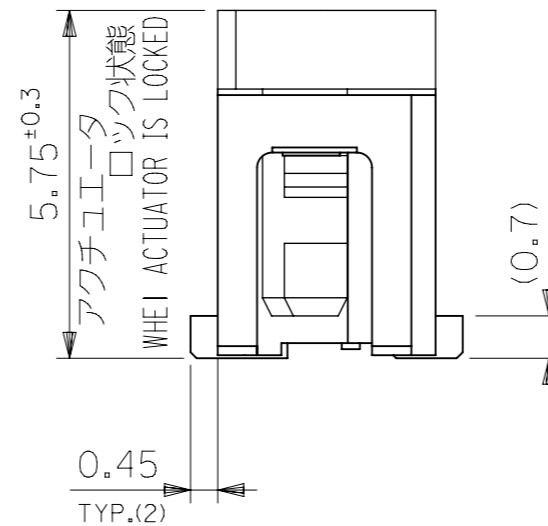


SECT. E-E



アクチュエータ  
ACTUATOR

ハウジング  
HOUSING



アクチュエータ ロック状態  
WHEI ACTUATOR IS LOCKED

|      |       |      |    |            |    |
|------|-------|------|----|------------|----|
| 36.6 | 34.85 | 31.2 | 29 | 52610-3033 | 30 |
| 34.6 | 32.85 | 29.2 | 27 | 52610-2833 | 28 |
| 32.6 | 30.85 | 27.2 | 25 | 52610-2633 | 26 |
| 31.6 | 29.85 | 26.2 | 24 | 52610-2533 | 25 |
| 30.6 | 28.85 | 25.2 | 23 | 52610-2433 | 24 |
| 29.6 | 27.85 | 24.2 | 22 | 52610-2333 | 23 |
| 28.6 | 26.85 | 23.2 | 21 | 52610-2233 | 22 |
| 26.6 | 24.85 | 21.2 | 19 | 52610-2033 | 20 |
| 24.6 | 22.85 | 19.2 | 17 | 52610-1833 | 18 |
| 23.6 | 21.85 | 18.2 | 16 | 52610-1733 | 17 |
| 22.6 | 20.85 | 17.2 | 15 | 52610-1633 | 16 |
| 21.6 | 19.85 | 16.2 | 14 | 52610-1533 | 15 |
| 20.6 | 18.85 | 15.2 | 13 | 52610-1433 | 14 |
| 19.6 | 17.85 | 14.2 | 12 | 52610-1333 | 13 |
| 18.6 | 16.85 | 13.2 | 11 | 52610-1233 | 12 |
| 17.6 | 15.85 | 12.2 | 10 | 52610-1133 | 11 |
| 16.6 | 14.85 | 11.2 | 9  | 52610-1033 | 10 |
| 15.6 | 13.85 | 10.2 | 8  | 52610-0933 | 9  |
| 14.6 | 12.85 | 9.2  | 7  | 52610-0833 | 8  |
| 13.6 | 11.85 | 8.2  | 6  | 52610-0733 | 7  |
| 12.6 | 10.85 | 7.2  | 5  | 52610-0633 | 6  |
| 11.6 | 9.85  | 6.2  | 4  | 52610-0533 | 5  |

|                                  |     |   |     |                                      |            |
|----------------------------------|-----|---|-----|--------------------------------------|------------|
| D                                | (C) | B | (A) | EMBOSSED PACKAGE ORDER NO.<br>オーダー番号 | 極数<br>CKT. |
| CONNECTOR SERIES NO.: 52610-**22 |     |   |     |                                      |            |

THIS DRAWING CONTAINS INFORMATION THAT IS PROPRIETARY TO MOLEX ELECTRONIC TECHNOLOGIES, LLC AND SHOULD NOT BE USED WITHOUT WRITTEN PERMISSION

| GENERAL TOLERANCES (UNLESS SPECIFIED)                |        |
|--|--------|
| 10 UNDER   | ± 0.2  |
| 10 OVER 30 UNDER                                     | ± 0.25 |
| 30 OVER  | ± 0.3  |
| ANGULAR ± 3 °  |        |
| DRAFT WHERE APPLICABLE MUST REMAIN WITHIN DIMENSIONS |        |

|  |         |   |
|--|---------|---|
| DIMENSION UNITS                                      | SCALE   | CURRENT REV DESC: REMOVED OBSOLETE PART NUMBER AS PER PCN#512672. |
| mm   | 8:1     |   |
| GENERAL TOLERANCES (UNLESS SPECIFIED)                |         |   |
| ANGULAR TOL  | ± 3.0 ° |   |
| 4 PLACES   | ± 0.2   |   |
| 3 PLACES   | ± 0.25  |   |
| 2 PLACES   | ± 0.3   |   |
| 1 PLACE  | ±       |   |
| 0 PLACES   | ±       |   |
| DRAFT WHERE APPLICABLE MUST REMAIN WITHIN DIMENSIONS |         |   |

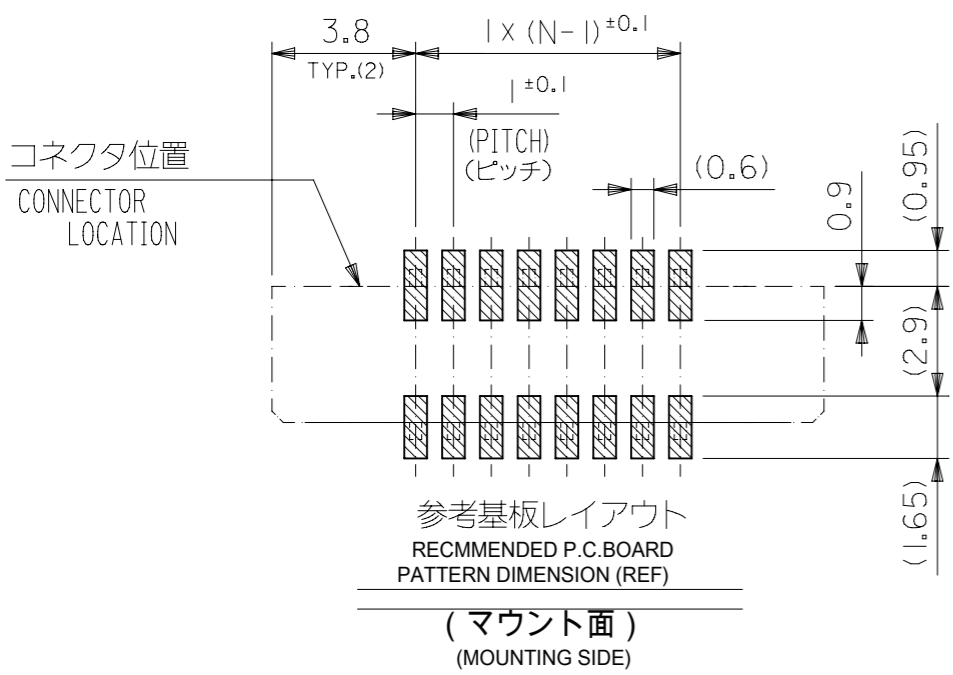
**molex**

1.0 FPC CONN ZIF S/T HOUSING ASSY

PRODUCT CUSTOMER DRAWING

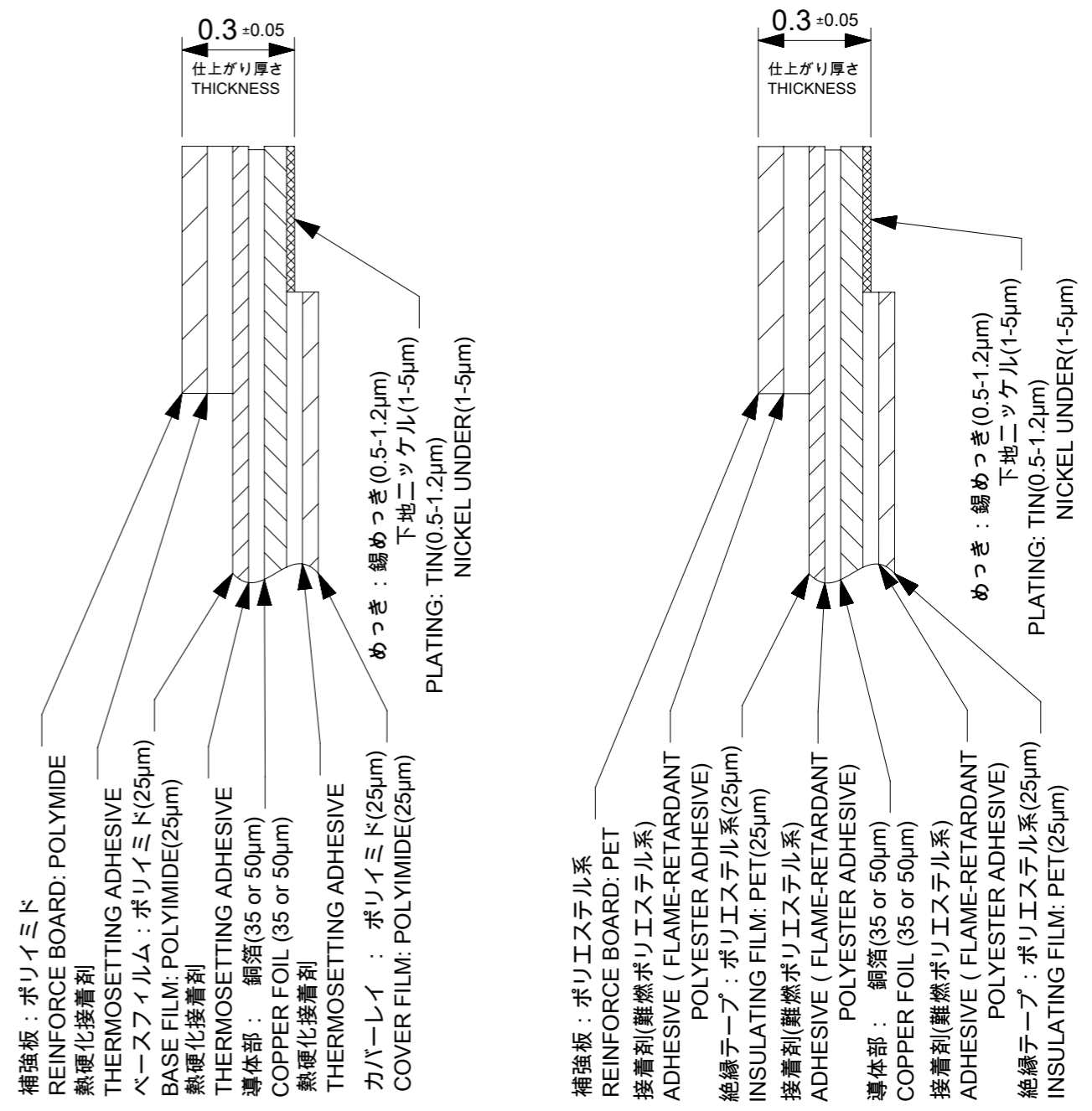
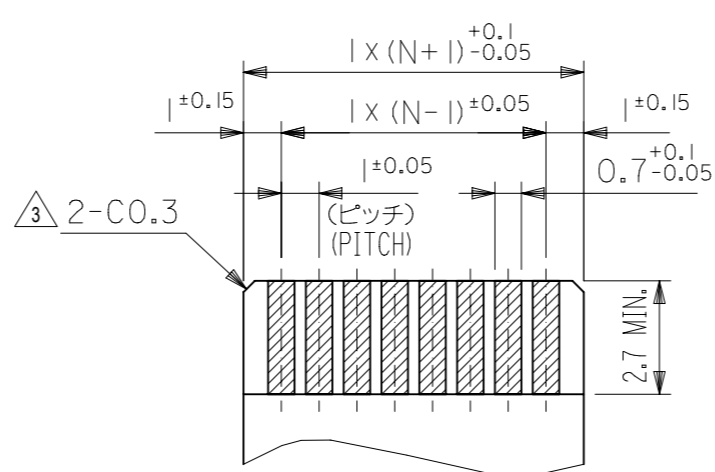
DOCUMENT NUMBER: SD-52610-048  
DOC TYPE: PSD  
DOC PART: 001  
REVISION: C1

THIRD ANGLE PROJECTION  
DRAWING: A3-SIZE  
SERIES: 52610  
MATERIAL NUMBER: SEE TABLE  
CUSTOMER: GENERAL MARKET  
SHEET NUMBER: 1 OF 2



参考基板レイアウト  
RECOMMENDED P.C. BOARD  
PATTERN DIMENSION (REF)

マスク厚 : 120 $\mu$ m  
マスク開口率 : 100%  
SCREEN THICKNESS : 120 MICROMETER  
SCREEN OPEN RATIO : 100%



FPC構成推奨仕様  
RECOMMENDED STRUCTURE OF FPC

FFC構成推奨仕様  
RECOMMENDED STRUCTURE OF FFC

- 注記(NOTES):
- 材質 MATERIAL  
ハウジング: ポリアミド(PA), ナチュラル(白色), ガラス充填, UL94V-0  
HOUSING: POLYAMIDE, NATURAL(WHITE), GLASS FILLED, UL94V-0  
アクチュエータ: ポリフェニレンサルファイドPPS, ナチュラル(茶色), ガラス充填, UL94-V0  
ACTUATOR: POLYPHENYLENE SULFIDE, NATURAL(BROWN), GLASS FILLED, UL94V-0  
ターミナル: リン青銅 (t=0.32)  
TERMINAL: PHOSPHOR BRONZE (t=0.32)
  - めっき仕様 PLATING  
ターミナル TERMINAL  
錫銀ビスマスめっき (1.0 $\mu$ m以上)  
TIN SILVER BISMUTH PLATING (1.0 MICROMETER MINIMUM)  
下地: ニッケルめっき (1.0 $\mu$ m以上)  
UNDER PLATE: NICKEL PLATING (1.0 MICROMETER MINIMUM)
  - $\triangle$  R0.3はFPCの導体部にかからないこと  
R0.3 MUST NOT BE OVERLAPED TO PATTERN OF FPC.
  - エンボステーブ梱包時は、アクチュエータがロックした状態とする。  
IN THE PACKAGE, ACTUATOR SHOULD BE LOCKED.
  - $\triangle$  偶数極に適用。  
APPLY FOR EVEN CIRCUIT.
  - $\triangle$  ソルダートール半田付け面のズレ量は、基準面 F に対し、上方向0.05MAX、下方向0.15MAXとする。  
MISALIGNMENT OF SOLDER TAILS FROM F UPPER DIRECTION 0.05 MAX., LOWER DIRECTION 0.15 MAX.
  - $\triangle$  ソルダートールの平坦度は0.1mm以下とする。  
SOLDERTAIL COPLANARITY IS 0.1MM MAXIMUM.
  - ELV及びRoHS適合品  
ELV AND RoHS COMPLIANT

FPC/FFCについて:  
抜き方向は、導体側から補強板側を推奨致します。  
尚、接着剤の接点部への付着は導通不良の原因になりますので、染み出しが無い様お願い致します。

ABOUT FPC/FFC:  
RECOMMENDED PUNCHER DIRECTION:  
FROM CONDUCTOR SIDE TO STIFFNER SIDE  
PLEASE PUT APPROPRIATE AMOUNT OF ADHESIVE ON ADHEREND  
BECAUSE THERE IS A POSSIBILITY THAT THE EXTRA ADHESIVE CAUSES THE DEFECT IN ELECTRICAL CONTINUITY.

| GENERAL TOLERANCES (UNLESS SPECIFIED)                |        |
|--|--------|
| 10 UNDER   | ± 0.2  |
| 10 OVER 30 UNDER                                     | ± 0.25 |
| 30 OVER  | ± 0.3  |
| ANGULAR ± 3°   |        |
| DRAFT WHERE APPLICABLE MUST REMAIN WITHIN DIMENSIONS |        |

| THIS DRAWING CONTAINS INFORMATION THAT IS PROPRIETARY TO MOLEX ELECTRONIC TECHNOLOGIES, LLC AND SHOULD NOT BE USED WITHOUT WRITTEN PERMISSION |        |
|---|--------|
| DIMENSION UNITS   | SCALE  |
| mm  | 5:1    |
| GENERAL TOLERANCES (UNLESS SPECIFIED)   |        |
| ANGULAR TOL   | ± 30°  |
| 4 PLACES  | ± 0.2  |
| 3 PLACES  | ± 0.25 |
| 2 PLACES  | ± 0.3  |
| 1 PLACE   | ± 0.3  |
| 0 PLACES  | ± 0.3  |
| DRAFT WHERE APPLICABLE MUST REMAIN WITHIN DIMENSIONS  |        |

EC NO: 724799  
DRWN: SUGEEB 2022/10/20  
CHK'D: GGA 2022/11/03  
APPR: GGA 2022/11/03

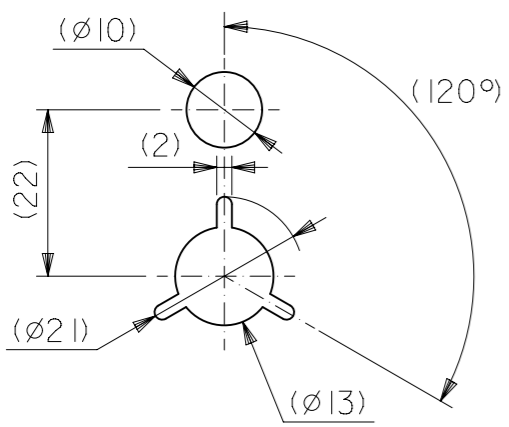
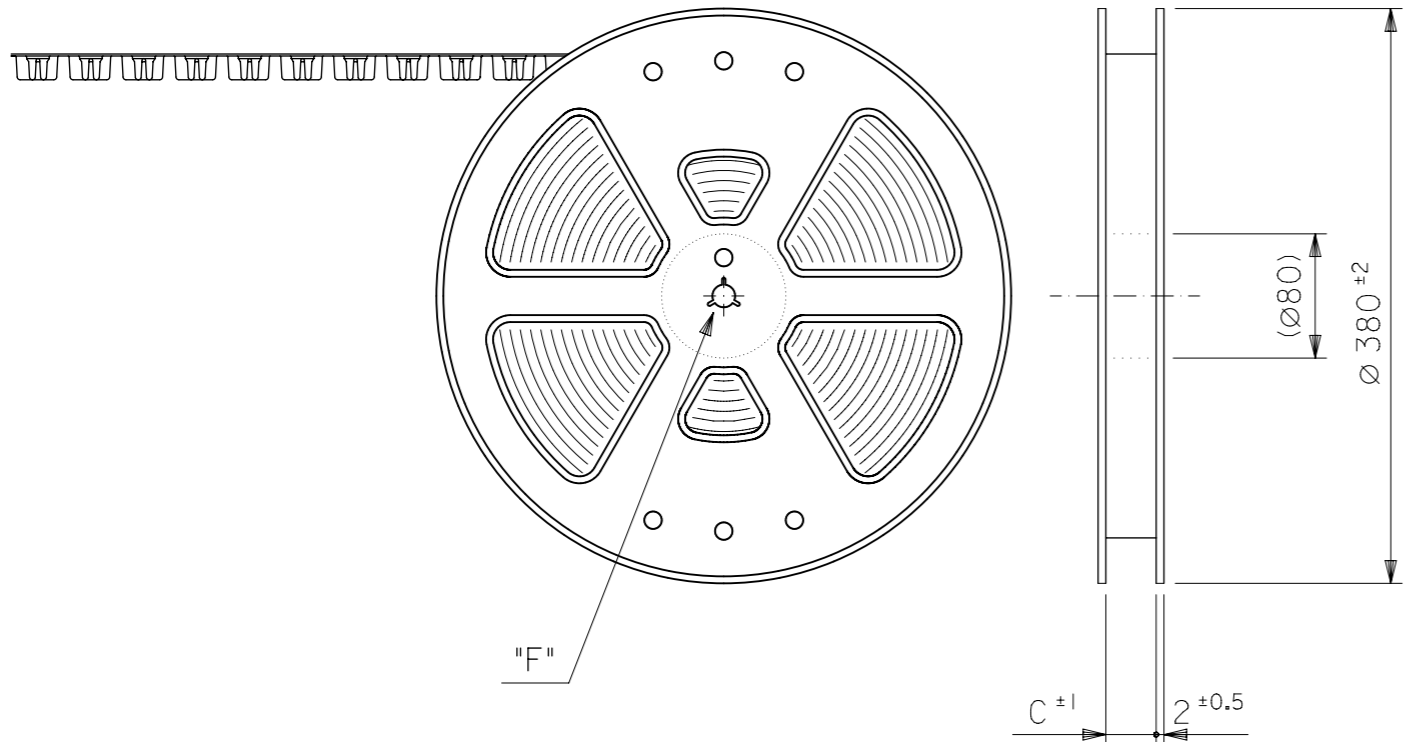
INITIAL REVISION:  
DRWN: NASANUMA 2012/09/12  
APPR: KMORIKAWA 2013/03/15

THIRD ANGLE PROJECTION

DRAWING SERIES: A3-SIZE 52610

|                          |                |              |          |
|--------------------------|----------------|--------------|----------|
| molex                    |                |              |          |
|                          |                |              |          |
| PRODUCT CUSTOMER DRAWING |                |              |          |
| DOCUMENT NUMBER          | DOC TYPE       | DOC PART     | REVISION |
| SD-52610-048             | PSD            | 001          | C1       |
| MATERIAL NUMBER          | CUSTOMER       | SHEET NUMBER |          |
| SEE TABLE                | GENERAL MARKET | 2 OF 2       |          |

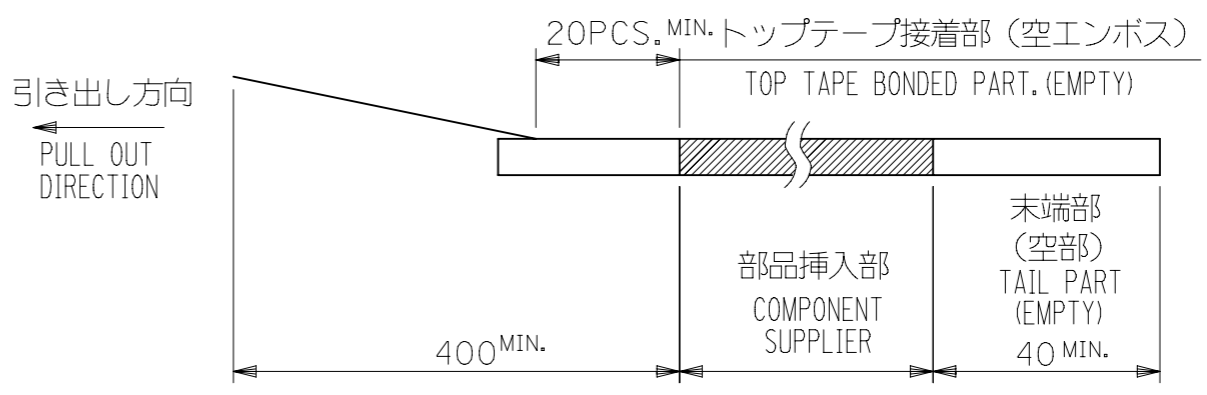
引き出し方向  
PULL OUT  
DIRECTION



DETAIL "F"

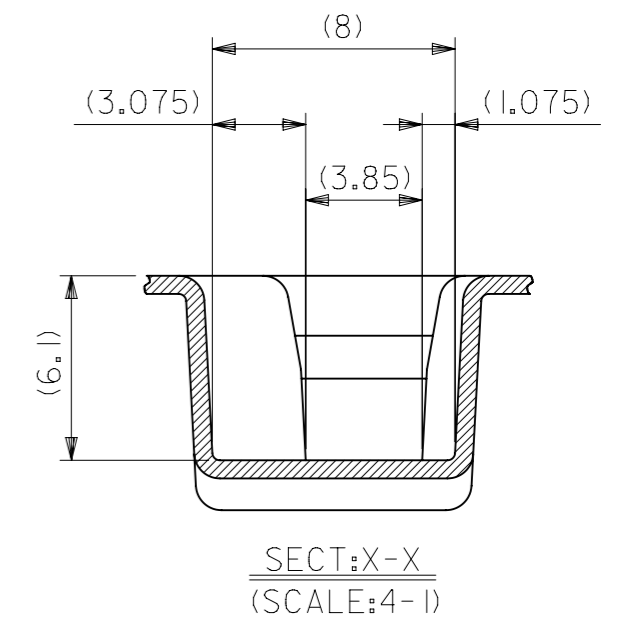
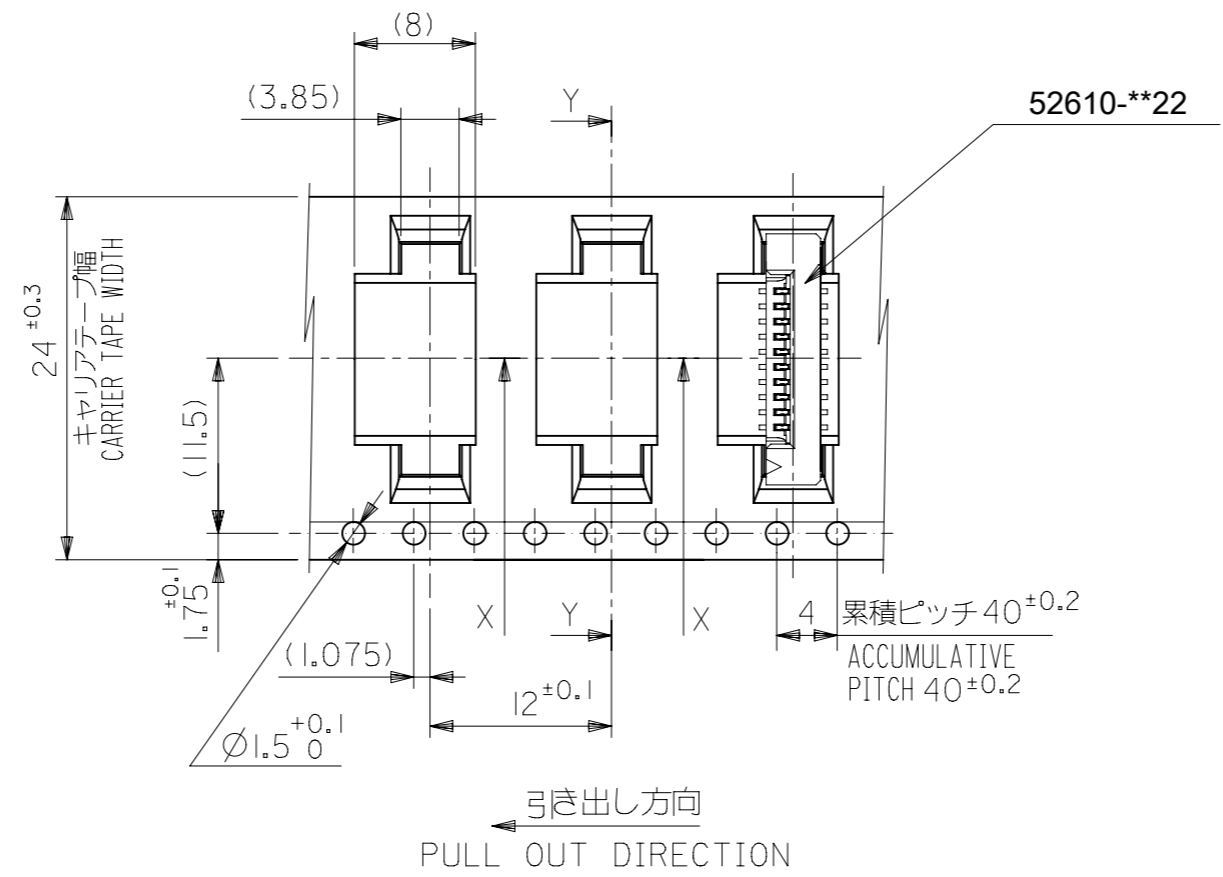
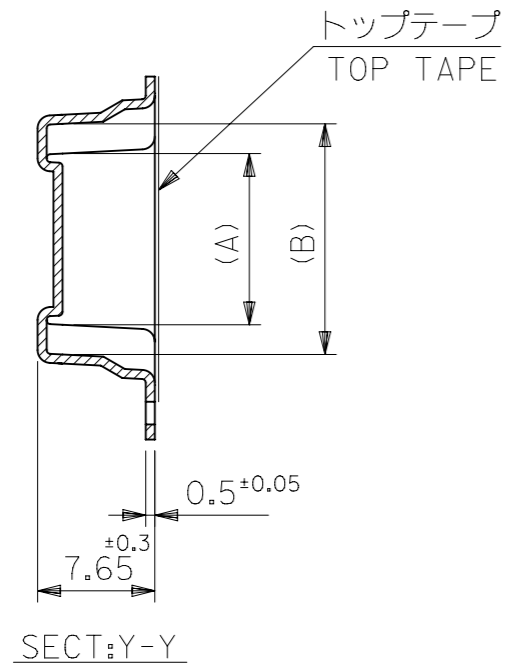
NOTES

- 52610-\*\*22のアクチュエータはハウジング内に押し下げた状態とする。  
詳細寸法については図面SD-52610-048をご参照ください。  
ACTUATOR OF PART NO. 52610-\*\*22 SHULD BE LOCKED.  
RE DETAILED DIMENSIONS, SEE SD-52610-048
- 梱包数量：1000個 / リール  
NUMBER OF CONNECTORS : 1000PCS/REEL
- リードテープ長さ  
LEAD TAPE LENGTH



- カバーテープの剥離強度については、IEC60286-3に準拠  
COVER TAPE PEEL FORCE IS DEFINED BY IEC60286-3.
- 材料(MATERIAL)  
キャリアテープ ( CARRIER TAPE) : ポリプロピレン ( POLYPROPYLENE)  
トップテープ ( TOP TAPE) : PET, PE, PEF  
リール(REEL) : ポリスチレン(PS)<リサイクル材を含む>  
POLYSTYREN(PS) <RECYCLE MATERIAL CONTAINED>

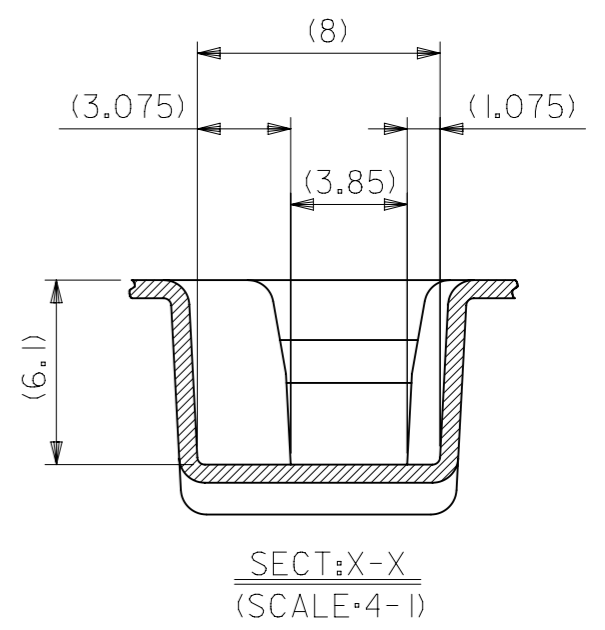
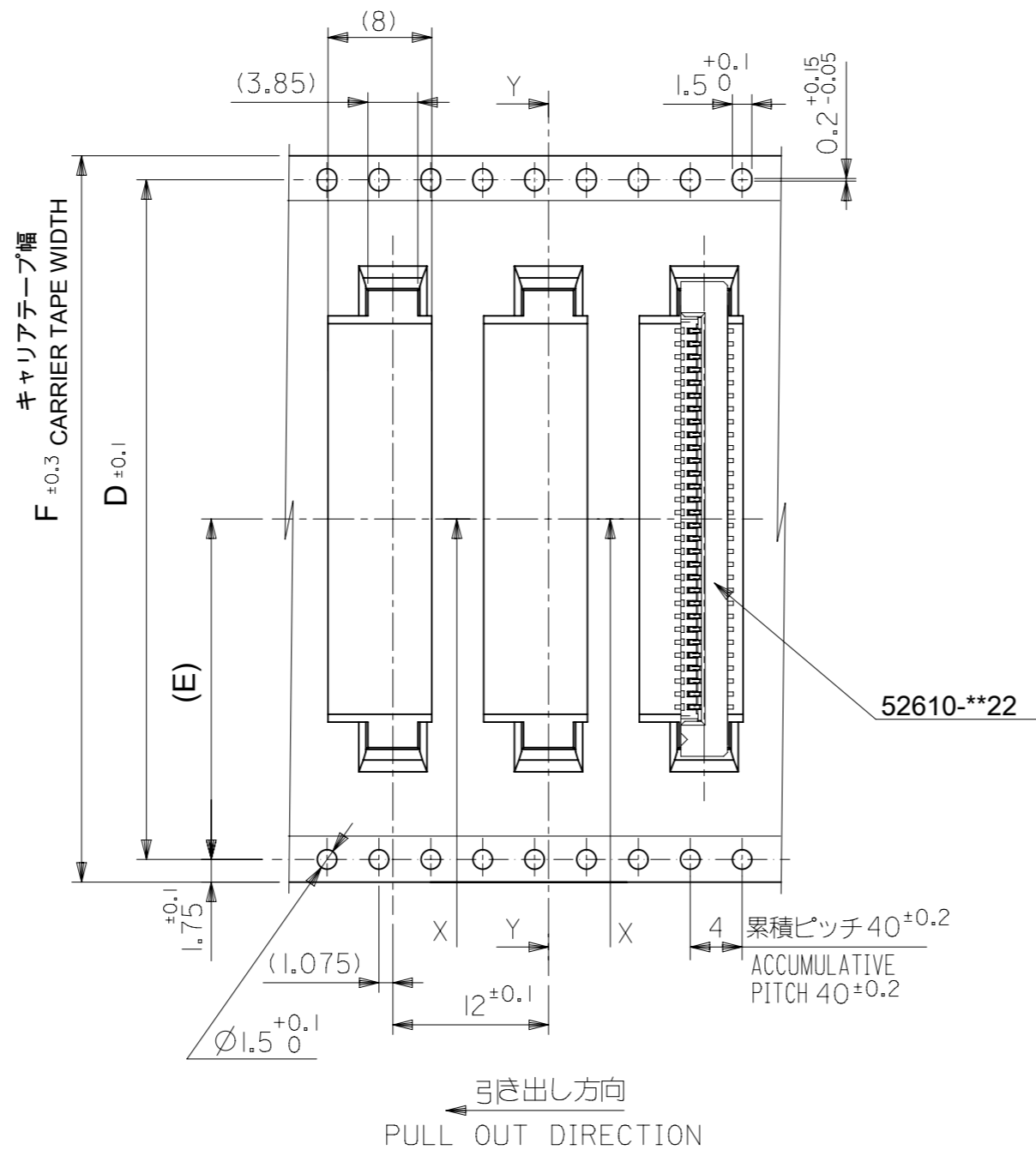
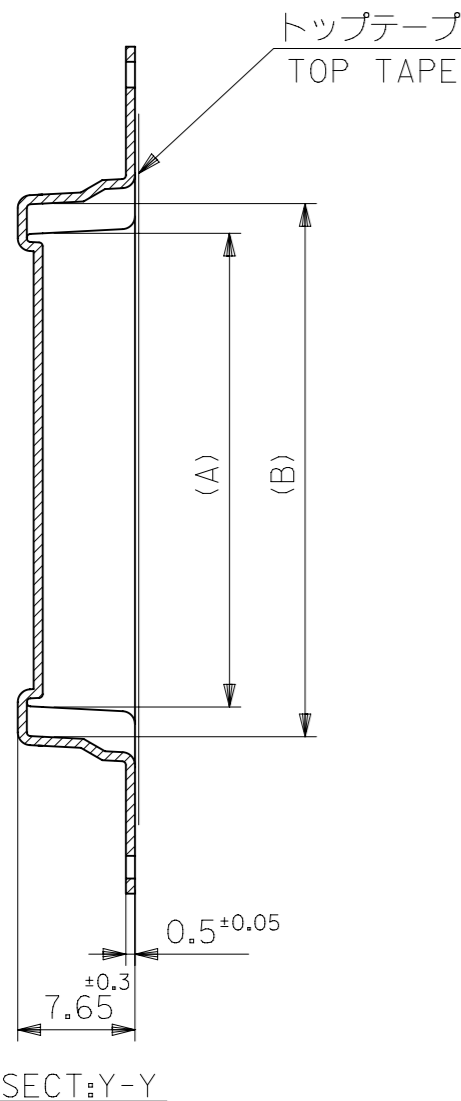
|   |  |       |  |   |  |            |  |  |  |
|---|--|-------|--|---|--|------------|--|--|--|
| THIS DRAWING CONTAINS INFORMATION THAT IS PROPRIETARY TO MOLEX ELECTRONIC TECHNOLOGIES, LLC AND SHOULD NOT BE USED WITHOUT WRITTEN PERMISSION |  |       |  |   |  |            |  |  |  |
| DIMENSION UNITS   |  | SCALE |  | CURRENT REV DESC: REMOVED OBSOLETE PART NUMBER AS PER PCN#512672. |  |            |  | <b>molex</b>   |  |
| mm  |  | NTS   |  |   |  |            |  |  |  |
| GENERAL TOLERANCES (UNLESS SPECIFIED)   |  |       |  | EC NO: 724799   |  | 2022/10/20 |  | EMBOSS TAPE PACKAGED FOR 1.0 FPC CONN ZIF S/T HOUSING ASSY |  |
|   |  |       |  | DRWN: SUGEEB  |  | 2022/11/03 |  |  |  |
|   |  |       |  | CHK'D: GGA  |  | 2022/11/03 |  |  |  |
|   |  |       |  | APPR: GGA   |  | 2022/11/03 |  | PRODUCT CUSTOMER DRAWING                                   |  |
|   |  |       |  | INITIAL REVISION:   |  |            |  | DOCUMENT NUMBER  |  |
|   |  |       |  | DRWN: NASANUMA  |  | 2012/09/05 |  | SD-52610-049   |  |
|   |  |       |  | APPR: KMORIKAWA   |  | 2013/03/15 |  | PSD 001 A2   |  |
| DRAFT WHERE APPLICABLE MUST REMAIN WITHIN DIMENSIONS  |  |       |  | THIRD ANGLE PROJECTION  |  | DRAWING    |  | SERIES   |  |
|   |  |       |  | A3-SIZE   |  | 52610      |  | MATERIAL NUMBER  |  |
|   |  |       |  | SEE CHART   |  | GENERAL    |  | CUSTOMER   |  |
|   |  |       |  |   |  |            |  | SHEET NUMBER   |  |
|   |  |       |  |   |  |            |  | 1 OF 3   |  |



|    |      |      |       |       |            |            |
|----|------|------|-------|-------|------------|------------|
| 24 | 11.5 | 25.5 | 15.25 | 11.32 | 52610-1033 | 10         |
|    |      |      | 14.25 | 10.32 | 52610-0933 | 9          |
|    |      |      | 13.25 | 9.32  | 52610-0833 | 8          |
|    |      |      | 12.25 | 8.32  | 52610-0733 | 7          |
|    |      |      | 11.25 | 7.32  | 52610-0633 | 6          |
|    |      |      | 10.25 | 6.32  | 52610-0533 | 5          |
| F  | (E)  | C    | (B)   | (A)   | ENG. NO.   | 極数<br>CKT. |

THIS DRAWING CONTAINS INFORMATION THAT IS PROPRIETARY TO MOLEX ELECTRONIC TECHNOLOGIES, LLC AND SHOULD NOT BE USED WITHOUT WRITTEN PERMISSION

|  |              |   |                 |            |              |
|--|--------------|---|-----------------|------------|--------------|
| DIMENSION UNITS<br>mm                                | SCALE<br>NTS | CURRENT REV DESC: REMOVED OBSOLETE PART NUMBER AS PER PCN#512672.   |                 |            |              |
| GENERAL TOLERANCES (UNLESS SPECIFIED)                |              | <p><b>molex</b></p> <p>EMBOSS TAPE PACKAGED FOR 1.0 FPC CONN ZIF S/T HOUSING ASSY</p> <p>PRODUCT CUSTOMER DRAWING</p> |                 |            |              |
| 4 PLACES ±   |              |   |                 |            |              |
| 3 PLACES ±   |              |   |                 |            |              |
| 2 PLACES ±   |              |   |                 |            |              |
| 1 PLACE ±  |              |   |                 |            |              |
| 0 PLACES ±   |              | EC NO: 724799   | DRWN: SUGEEB    | 2022/10/20 |              |
| ANGULAR TOL ± °                                      |              | CHK'D: GGA  | APPR: GGA       | 2022/11/03 |              |
| DRAFT WHERE APPLICABLE MUST REMAIN WITHIN DIMENSIONS |              | INITIAL REVISION:   | DRWN: NASANUMA  | 2012/09/05 |              |
| THIRD ANGLE PROJECTION                               |              | APPR: KMORIKAWA   |                 | 2013/03/15 |              |
| DRAWING  |              | SERIES  | MATERIAL NUMBER | CUSTOMER   | SHEET NUMBER |
| A3-SIZE  |              | 52610   | SEE CHART       | GENERAL    | 2 OF 3       |



|    |      |      |      |       |       |            |            |
|----|------|------|------|-------|-------|------------|------------|
| 56 | 26.2 | 52.4 | 57.5 | 35.25 | 31.32 | 52610-3033 | 30         |
|    |      |      |      | 33.25 | 29.32 | 52610-2833 | 28         |
| 44 | 20.2 | 40.4 | 46.5 | 31.25 | 27.32 | 52610-2633 | 26         |
|    |      |      |      | 30.25 | 26.32 | 52610-2533 | 25         |
|    |      |      |      | 29.25 | 25.32 | 52610-2433 | 24         |
|    |      |      |      | 28.25 | 24.32 | 52610-2333 | 23         |
|    |      |      |      | 27.25 | 23.32 | 52610-2233 | 22         |
|    |      |      |      | 25.25 | 21.32 | 52610-2033 | 20         |
|    |      |      |      | 23.25 | 19.32 | 52610-1833 | 18         |
|    |      |      |      | 22.25 | 18.32 | 52610-1733 | 17         |
| 32 | 14.2 | 28.4 | 33.5 | 21.25 | 17.32 | 52610-1633 | 16         |
|    |      |      |      | 20.25 | 16.32 | 52610-1533 | 15         |
|    |      |      |      | 19.25 | 15.32 | 52610-1433 | 14         |
|    |      |      |      | 18.25 | 14.32 | 52610-1333 | 13         |
| F  | (E)  | D    | C    | 17.25 | 13.32 | 52610-1233 | 12         |
|    |      |      |      | 16.25 | 12.32 | 52610-1133 | 11         |
| F  | (E)  | D    | C    | (B)   | (A)   | ENG. NO.   | 極数<br>CKT. |

THIS DRAWING CONTAINS INFORMATION THAT IS PROPRIETARY TO MOLEX ELECTRONIC TECHNOLOGIES, LLC AND SHOULD NOT BE USED WITHOUT WRITTEN PERMISSION

|  |              |   |  |                          |  |
|--|--------------|---|--|--------------------------|--|
| DIMENSION UNITS<br>mm                                | SCALE<br>NTS | CURRENT REV DESC: REMOVED OBSOLETE PART NUMBER AS PER PCN#512672. |  | <b>molex</b>             |  |
| GENERAL TOLERANCES (UNLESS SPECIFIED)                |              | EC NO: 724799   |  |                          |  |
|  |              | DRWN: SUGEEB  |  | PRODUCT CUSTOMER DRAWING |  |
|  |              | CHK'D: GGA  |  | DOCUMENT NUMBER          |  |
|  |              | APPR: GGA   |  | SD-52610-049             |  |
|  |              | INITIAL REVISION:   |  | DOC TYPE                 |  |
|  |              | DRWN: NASANUMA  |  | DOC PART                 |  |
|  |              | APPR: KMORIKAWA   |  | REVISION                 |  |
|  |              | ANGULAR TOL   |  | PSD                      |  |
| DRAFT WHERE APPLICABLE MUST REMAIN WITHIN DIMENSIONS |              | THIRD ANGLE PROJECTION  |  | 001                      |  |
|  |              | DRAWING   |  | A2                       |  |
|  |              | SERIES  |  | SHEET NUMBER             |  |
|  |              | A3-SIZE   |  | 3 OF 3                   |  |
|  |              | 52610   |  | MATERIAL NUMBER          |  |
|  |              | SEE CHART   |  | CUSTOMER                 |  |
|  |              | GENERAL   |  |                          |  |