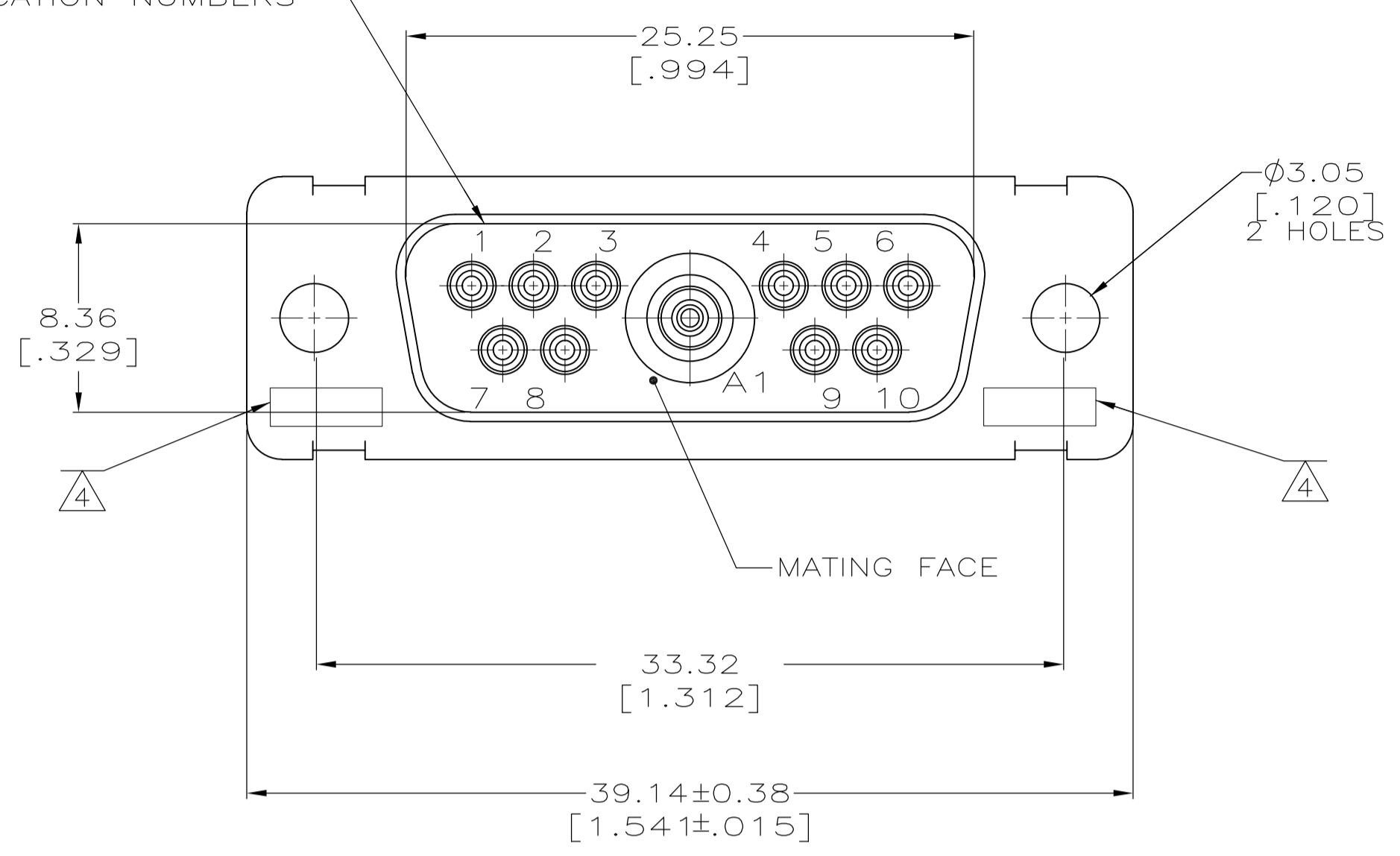
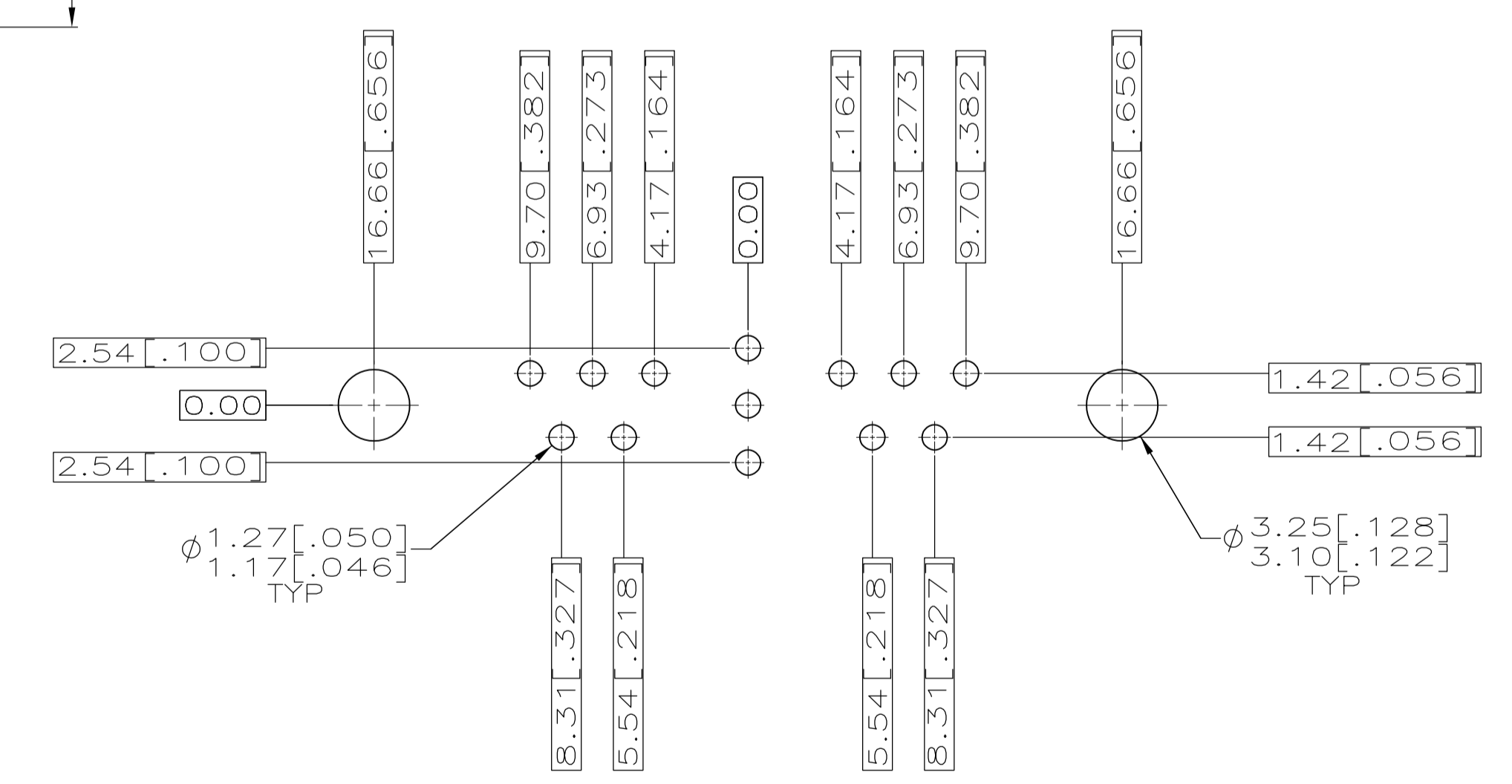
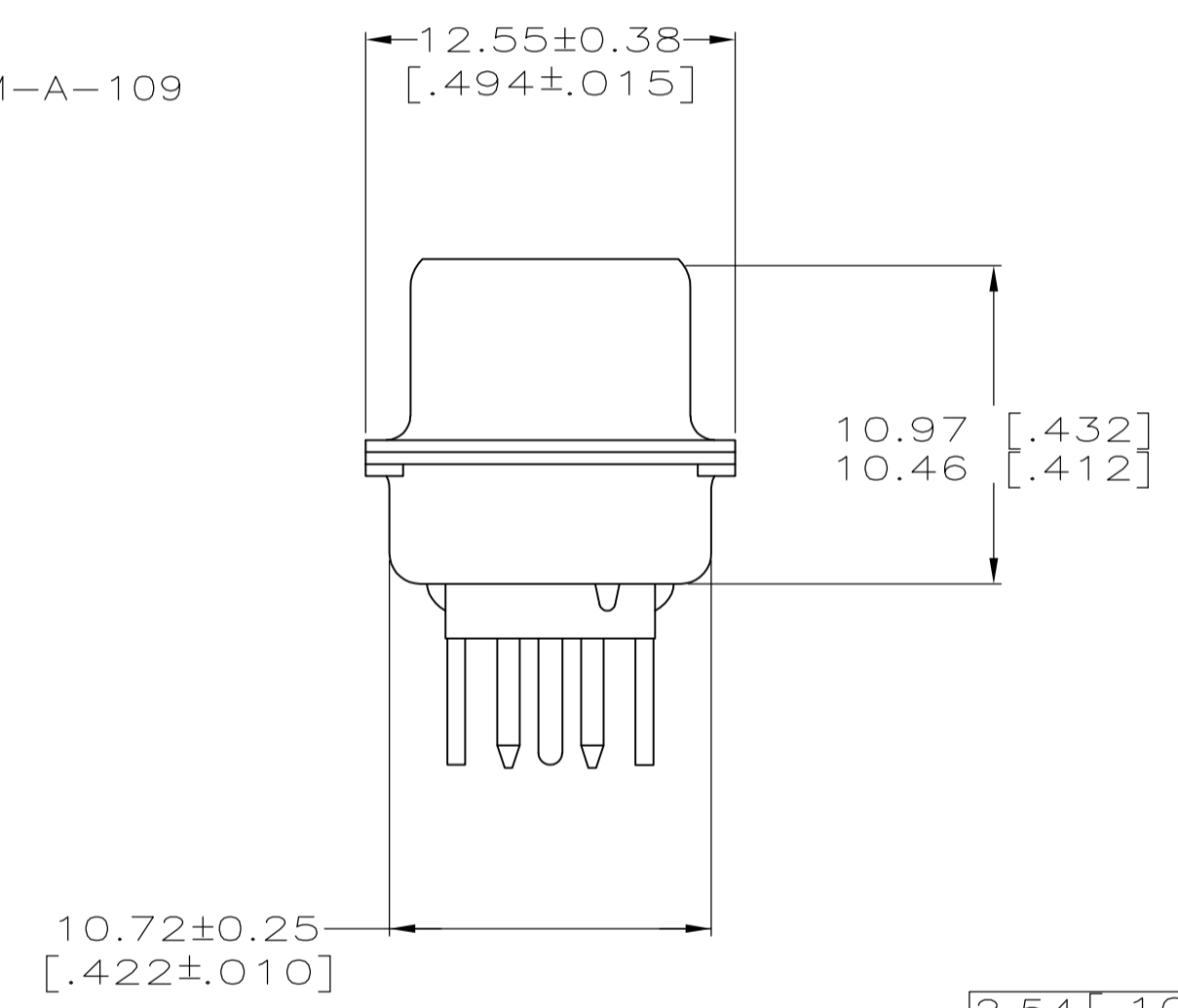
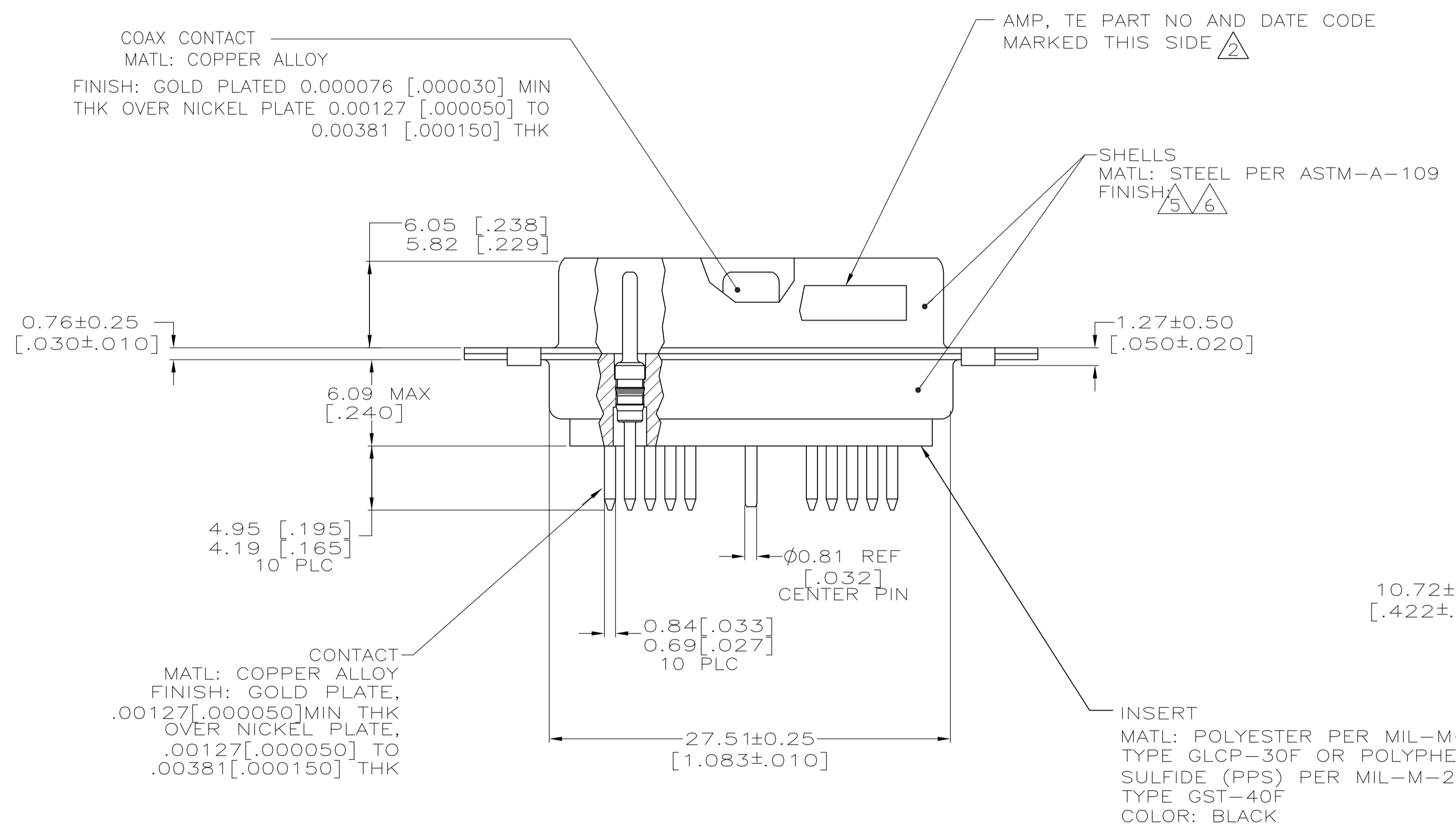


LOC		DIST		REVISIONS			
P	LTR	DESCRIPTION	DATE	DMN	APVD		
H		REV PER ECO 15-005762	04MAY15	KG	DM		

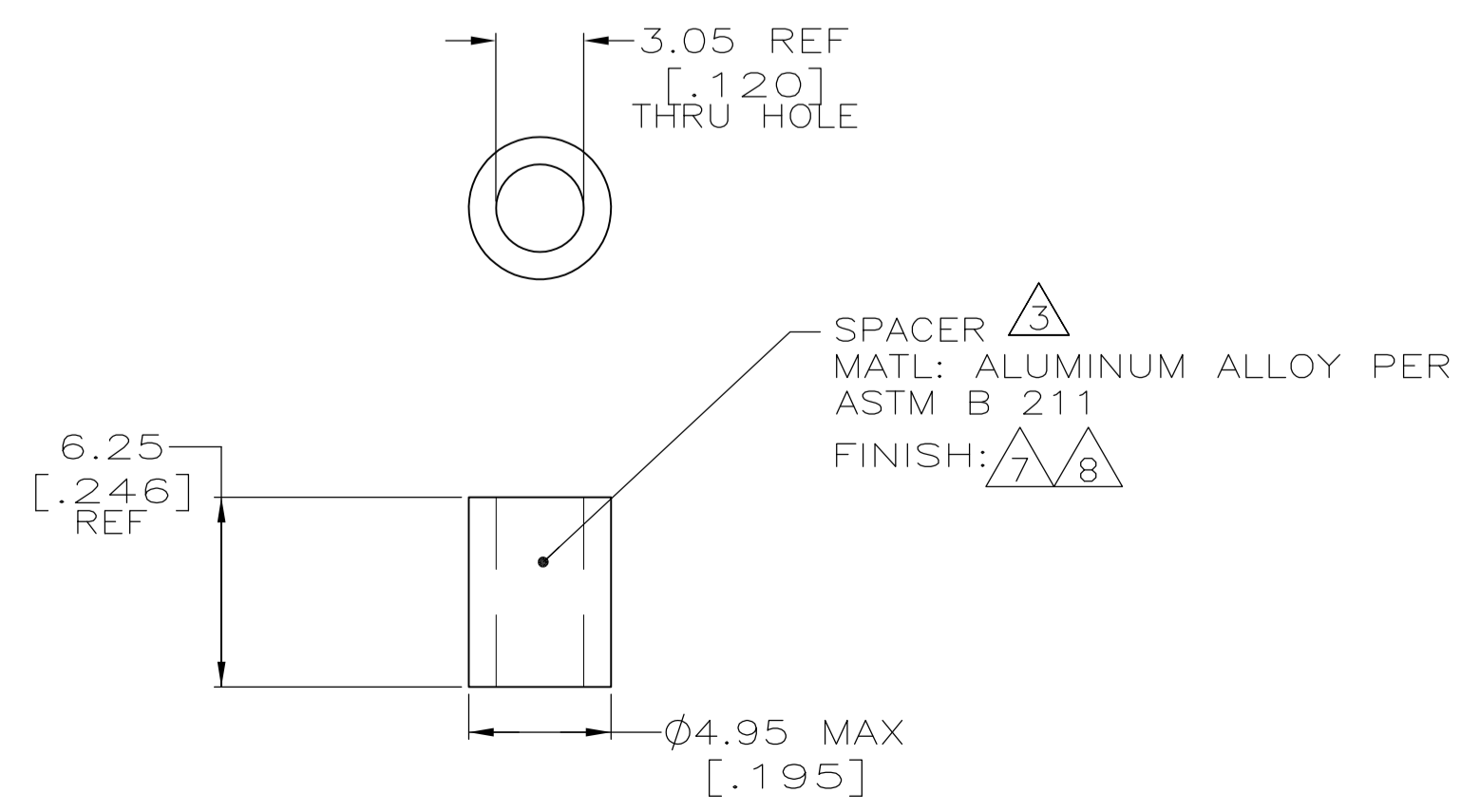
RAISED CAVITY INDENTIFICATION NUMBERS



- THE CONNECTORS DESCRIBED IN THIS DOCUMENT SHALL BE CAPABLE OF MEETING THE REQUIREMENTS OF 108-1770-1 AND MATE WITH ANY APPLICABLE RECEPTACLE CONNECTOR WITH SAME INSERT ARRANGEMENT.
- MARKED WITH 1.19[.047]-1.57[.062] HIGH CHARACTERS. FAR SIDE REFERS TO THE WIDE SIDE OF THE KEYSTONE. NEAR SIDE REFERS TO THE NARROW SIDE OF THE KEYSTONE. IF THE FRONT SHELL IS TOO SMALL FOR "AMP", TE PART NUMBER AND DATE CODE, THEN SPLIT AS FOLLOWS:
 - TE PART NUMBER ON REAR SHELL, FAR SIDE.
 - "AMP" AND DATE CODE ON FRONT SHELL, FAR SIDE.
- SPACERS (QTY 2) ARE SUPPLIED WITH CONNECTORS (NOT ATTACHED TO THE CONNECTOR).
- UL/CSA DESIGNATION STAMPED IN THIS AREA, OPTIONAL.
- FINISH: CADMIUM PLATE PER QQ-P-416.
- FINISH: ZINC PLATED PER ASTM-B-633 .000200-.000400 THK WITH SUPPLEMENTARY CHROMATE (Cr3+).
- FINISH: IRIDATE PER MIL-C-5541, COLOR: GOLD.
- FINISH: SUPPLEMENTARY CHROMATE (Cr3+).



RECOMMENDED P.C. BOARD LAYOUT SHELL SIZE 2 (11C1 POSITION)



6	8	5-1218128-1
5	7	1218128-1
REMARKS		PART NUMBER

THIS DRAWING IS A CONTROLLED DOCUMENT.		DMN: C.C. THOMAS 12-3-98	TE Connectivity	
DIMENSIONS: INCHES		CHK: D. MILLER 1-12-99	NAME: ASSY, AMPLIMITE, PLUG, 11C1 LOW PROFILE, SIZE 2, SERIES 109	
TOLERANCES UNLESS OTHERWISE SPECIFIED:		APVD: D. MILLER 1-12-99	RESTRICTED TO: -	
0 PLC ± -		PRODUCT SPEC: -	SIZE: A1	
1 PLC ± -		APPLICATION SPEC: -	CAGE CODE: 00779	
2 PLC ± 0.3 [.01]		WEIGHT: -	DRAWING NO: 1218128	
3 PLC ± 0.13 [.005]		CUSTOMER DRAWING	SCALE: 4:1	
4 PLC ± -		SCALE: 4:1	SHEET 1 OF 1	
ANGLES ± -		REV: H		