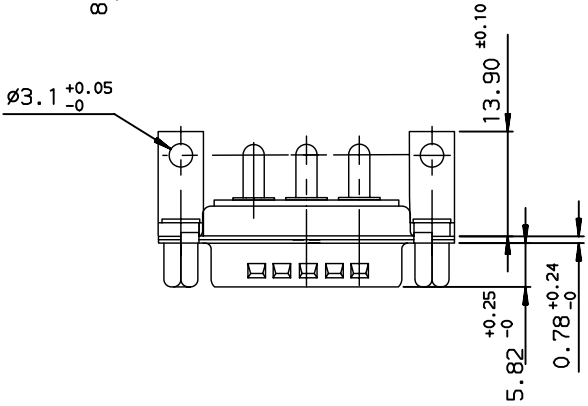
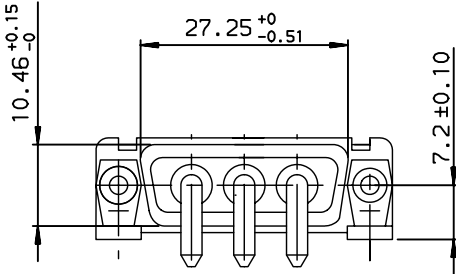
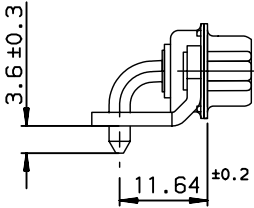
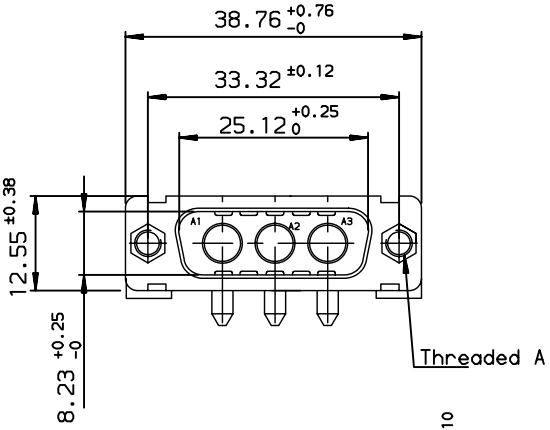
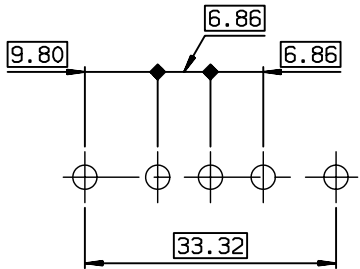


GENERAL CHARACTERISTICS : SEE DRAWING C01-8639-0001



DAI3W3P500M40	M3
DAV3W3P500M40	UNC 4.40
PART NUMBER	Threaded A

LAYOUT DIMENSIONS (after plating)  
CONNECTOR SIDE VIEW



www.fciconnect.com		surface ISO 1302 ✓	tolerance std ISO 406 ISO 1101	projection mm
TOLERANCES UNLESS OTHERWISE SPECIFIED				
Dr	PESSON	2003/09/29	ANGULAR	LINEAR
Eng	PESSON	2003/09/29	0.X	±0.1
Chr	LEGARE	2003/09/29	0.XX	±0.1
Appr	LEGARE	2003/09/29	0.XXX	±0.1
Product family			SUB	
Title			PIN CONNECTOR	
FOR POWERS CONTACTS			dwg no	
catalog no			C01-8639-1794	
CUSTOMER			sheet 1 of 1	

rev	ecn no	dr	date
B	-	MPE	2003/09/29
C	LS07-0094	MPE	2007/04/05
-	-	-	-
-	-	-	-
-	-	-	-
-	-	-	-

European Views

Copyright FCJ

REV F - 2006-04-17