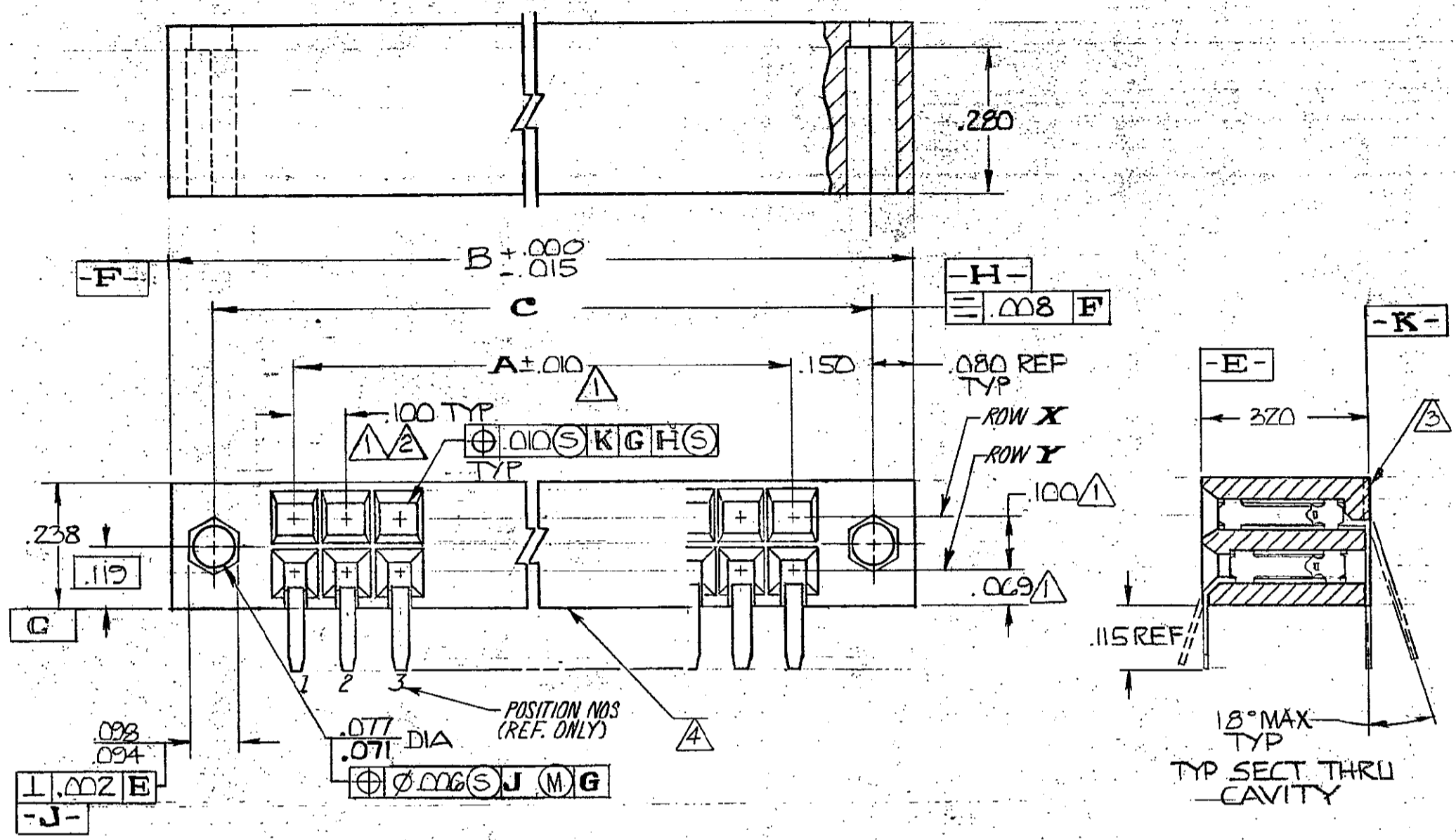
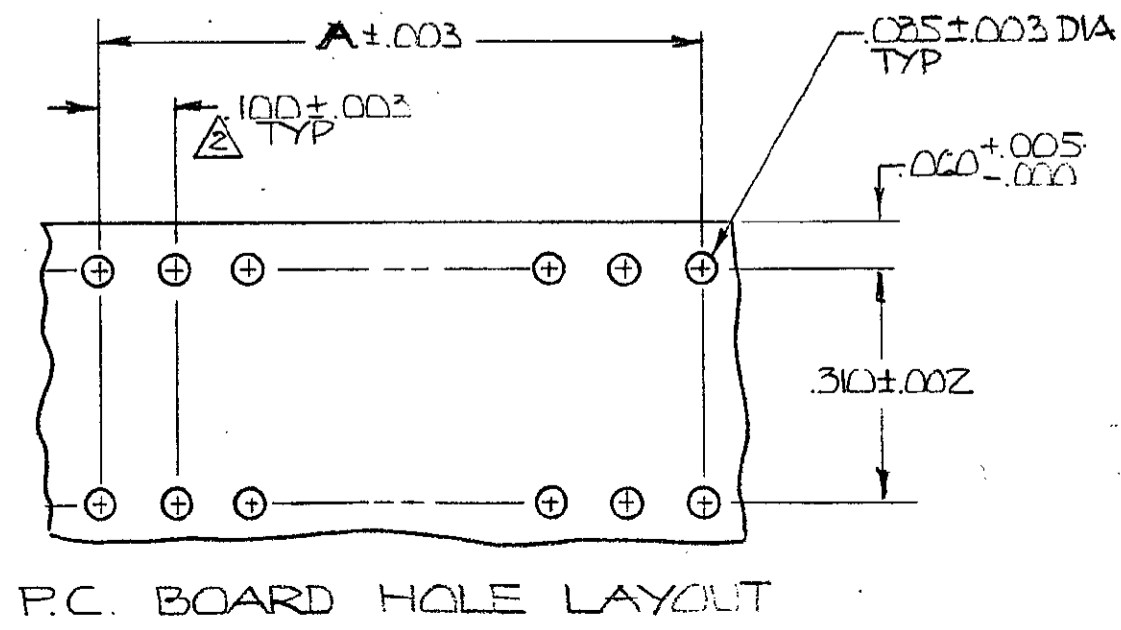


© COPYRIGHT 19 BY AMP INCORPORATED, HARRISBURG, PA.
 ALL INTERNATIONAL RIGHTS RESERVED. AMP INCORPORATED PRODUCTS
 COVERED BY U. S. AND FOREIGN PATENTS AND/OR PATENTS PENDING.

REVISIONS					
P	F	ZONE	LTR	DESCRIPTION	DATE APPROVED
				RELEASED WAS 5182-614-3	
				ADDED - 2 PER ECN 4548	db 11-5-82
				REV. ECN 4672	db 3-04-83
				REVISED PER ECN AB-0983	db 8-02-85
				ECN AD-2626	TH 6/88
				REV PER 0310-0065-96	ED 1-3-97
				ECO-15-004141	KG 23APR15 RL



- Δ THESE DIMENSIONS PERTAIN TO CAVITY LOCATIONS ONLY, NOT TO CONTACT LOCATIONS
- \triangle TOLERANCE NON-CUMULATIVE.
- \triangle SLOT OPTIONAL.
- \triangle MARK AMP PART NUMBER, AMP CODE IDENT "00779" "DATE CODE," "AMP" AND "CSA" PER AMP SPEC 115-1105 ON BOTTOM OF HOUSING IN ORDER OF PRECEDENCE AS LISTED.
- \triangle .000030 GOLD OVER .000050 NICKEL.



OBSOLETE	FINISH	CUST PART NO. (REF ONLY)	ROW Y CONTACTS OMITTED	ROW X CONTACTS OMITTED	C	B	A	NO. OF POS	PART NO
		164329-03	NONE	ALL	6.200	6.360	5.900	120	102881-2
		164329-01	NONE	NONE	6.200	6.360	5.900	120	102881-1

UNLESS OTHERWISE SPECIFIED DIMENSIONS ARE IN INCHES. TOLERANCES ON: DECIMALS $\pm .005$ ANGLES $\pm .005$	CONTRACT NO. DR <i>[Signature]</i> 12-21-81	AMP AMP INCORPORATED Harrisburg, Pa.		
	MATERIAL HSG: DIALLYL PHTHALATE COLOR: BLUE CONTACTS: PHOS BRONZE	CHK <i>[Signature]</i>	NAME ASSY, HSG, MOD II, DOUBLE ROW .100X.100 E, WITH HEX KEYING	
	FINISH CONTACTS: SEE TABLE.	APPD <i>[Signature]</i> 12-23-81	SIZE CODE IDENT NO C 00779	
		APPD <i>[Signature]</i> 12-23-81	DRAWING NO 102881	
	OTHER APPD	SCALE NTS	SHEET	

188201