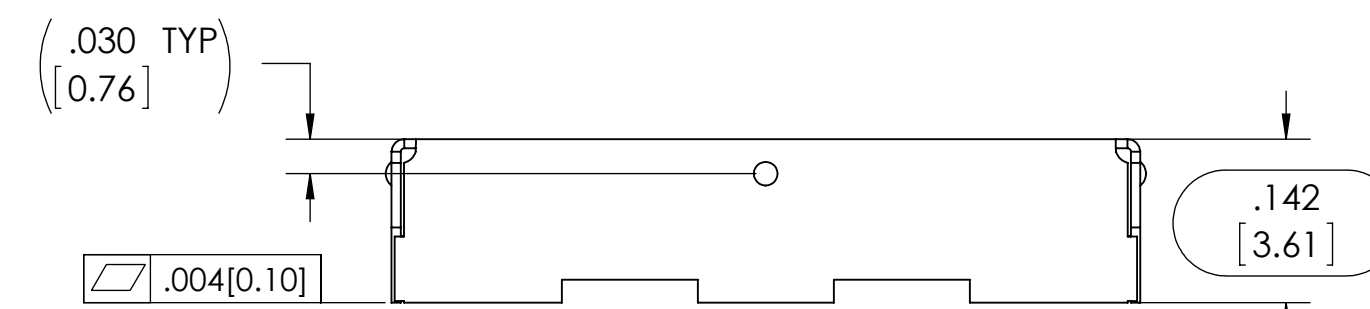
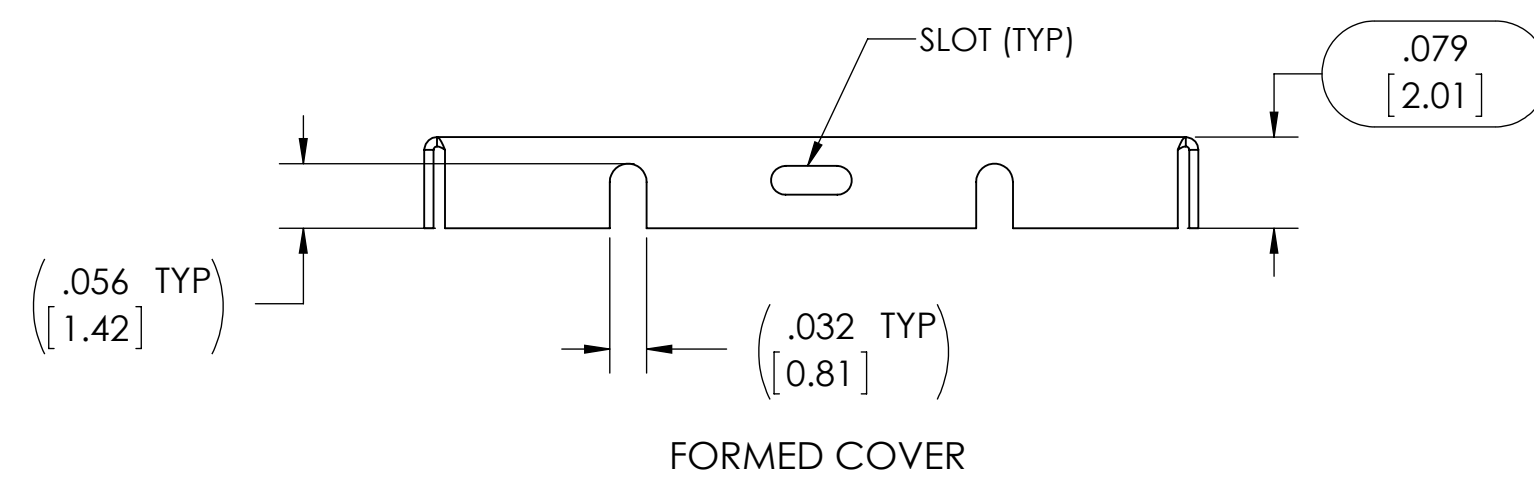
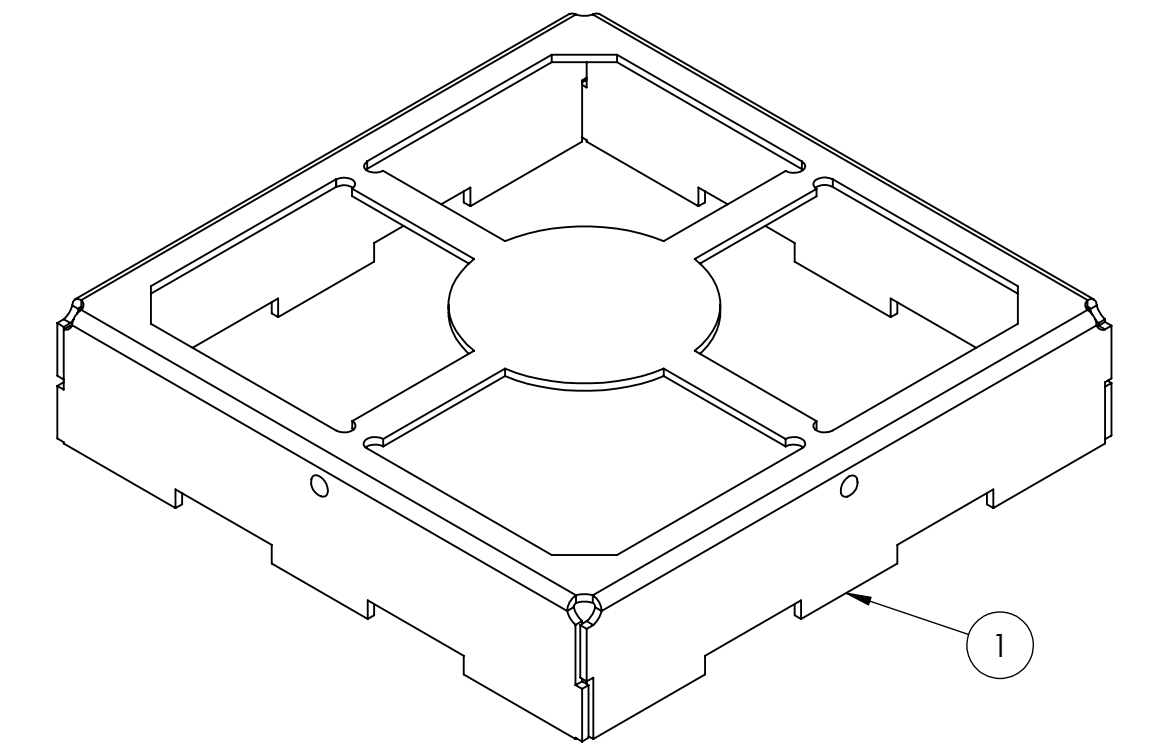
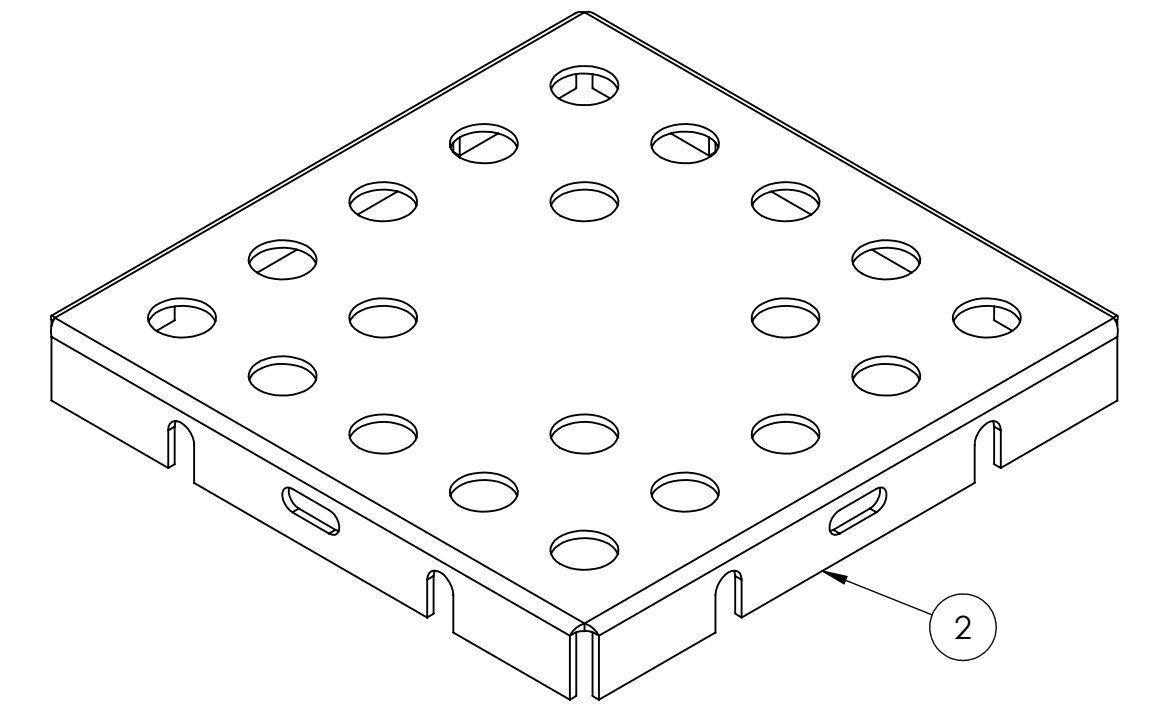
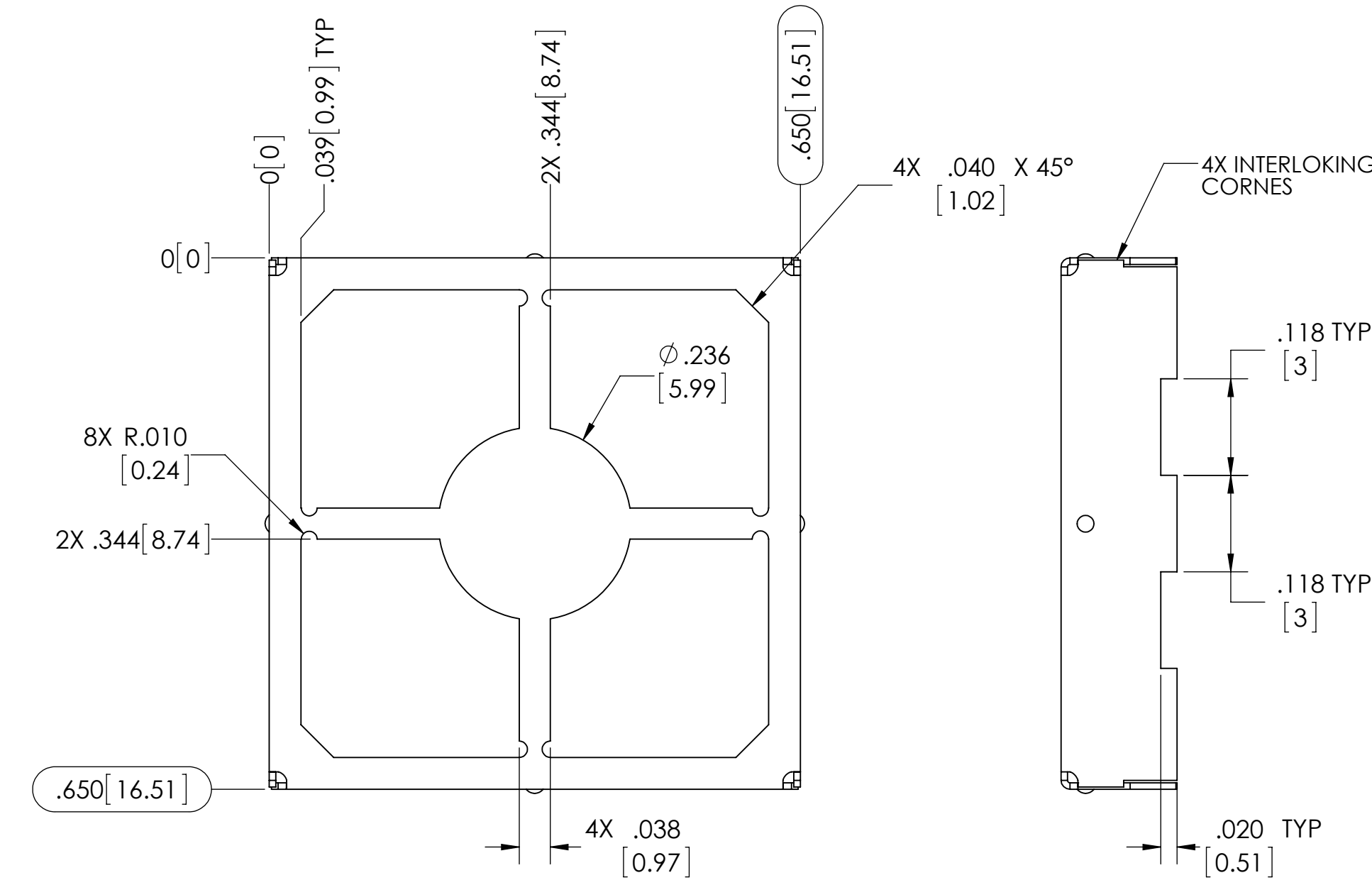
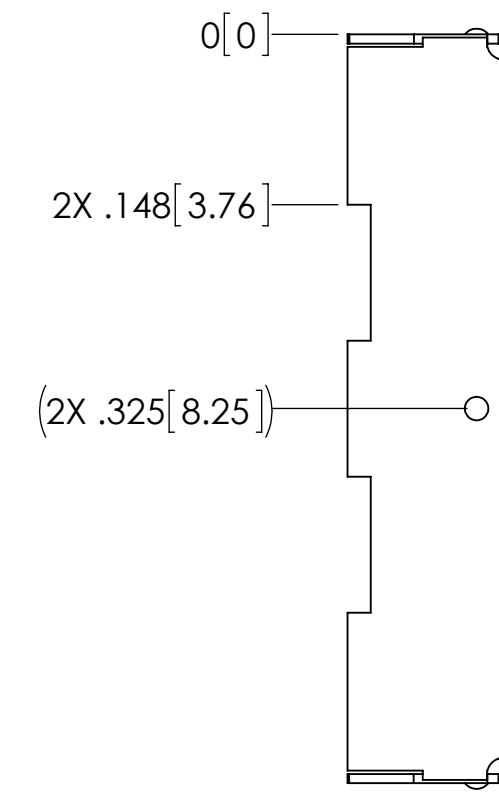
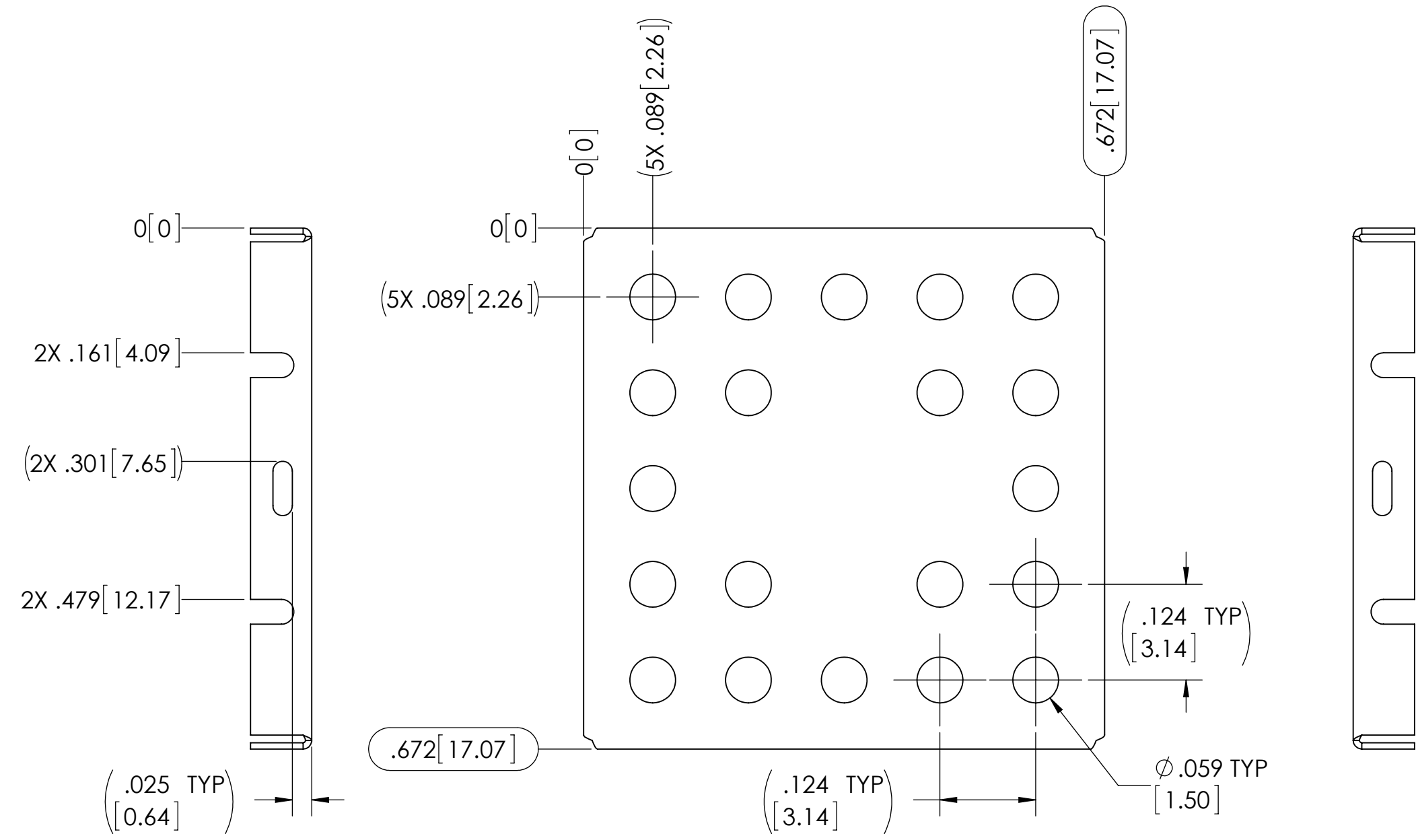
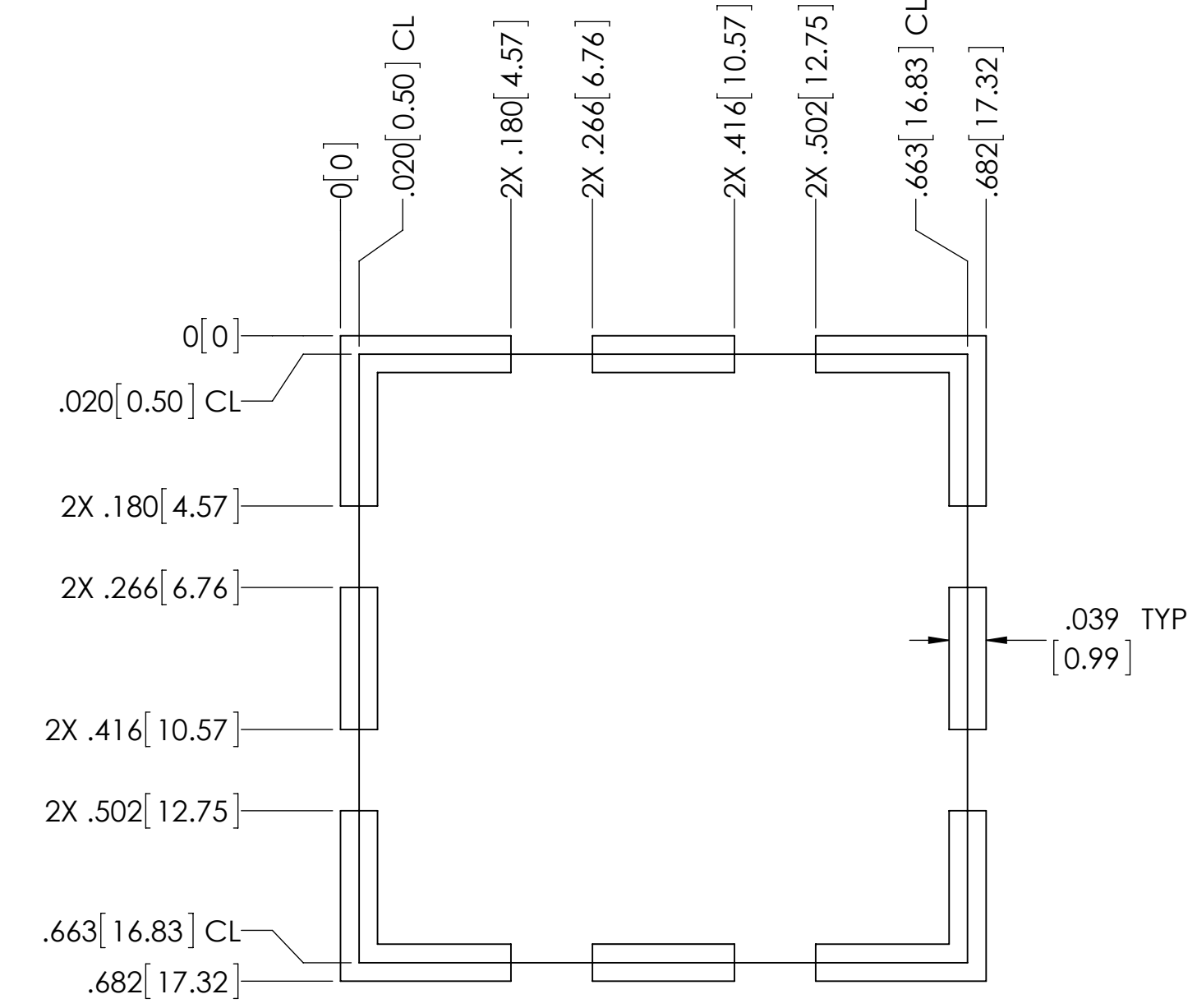
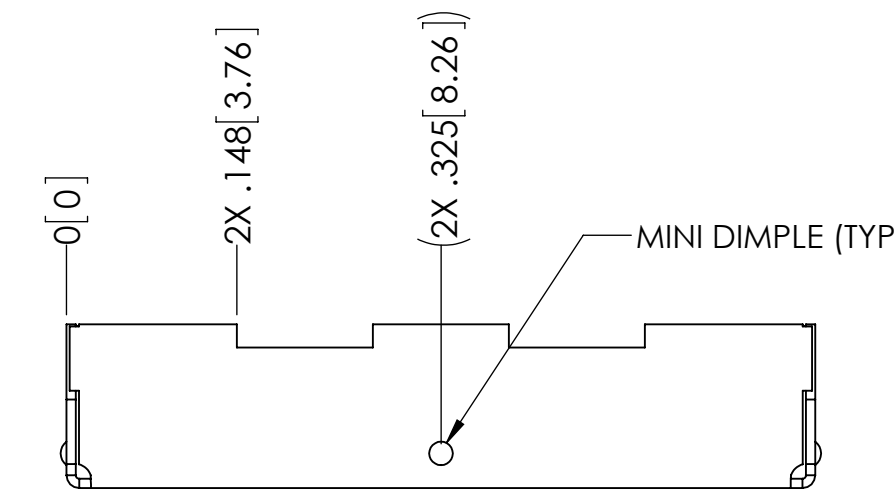
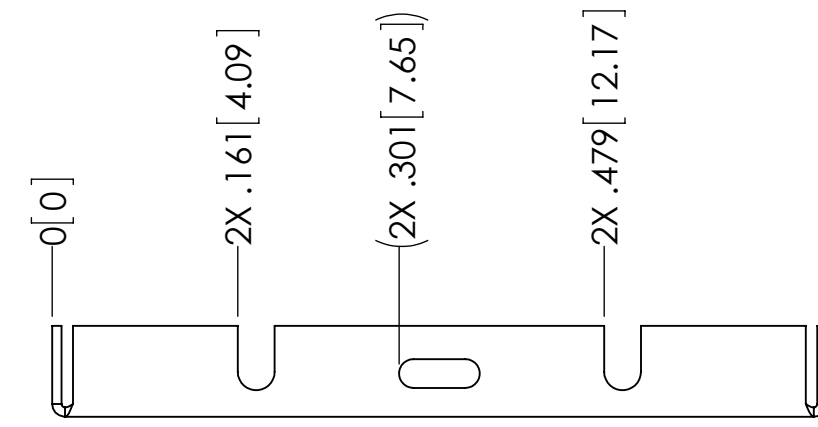
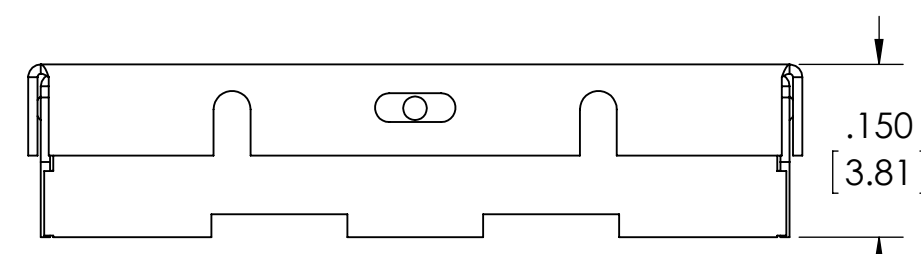


- NOTES:
- PART SHALL BE FREE OF BURRS AND SHARP EDGES
  - ASSURE ASSEMBLY CAPABILITY BY MATCHING WITH MATING PART
  - DIMENSIONS IN [ ] ARE IN MILLIMETERS

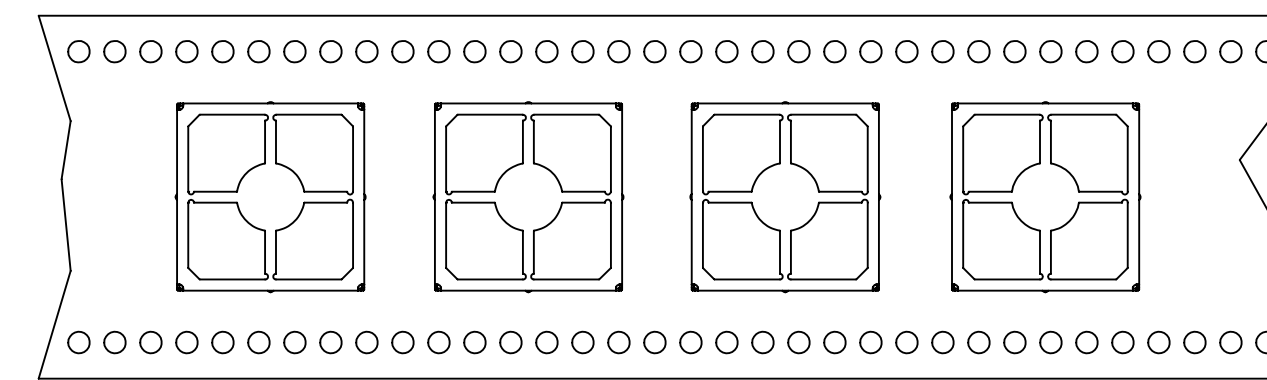


FORMED FRAME

FORMED COVER



ASSEMBLY



CARRIER TAPE

ITEM NO.	PART NUMBER	DESCRIPTION	QTY.
1	SMS-202 F	FRAME	1
2	SMS-202 C	COVER	1

<p><b>UNLESS OTHERWISE SPECIFIED:</b></p> <ul style="list-style-type: none"> <li>- ALL DIMENSIONS ARE IN INCHES</li> <li>- PART SHALL BE FREE OF BURRS AND SHARP EDGES</li> <li>- ALL DIMENSIONS SHOWN APPLY BEFORE PLATING AND COATINGS</li> <li>- ROHS COMPLIANT PER EU DIRECTIVE 2011/65/EU</li> <li>- POI = POINT OF INTERSECTION</li> </ul>		<p>THIRD ANGLE PROJECTION</p>
<p>DRAWN BY: DJM</p>	<p>APPROVED BY: 01/06/2010</p>	<p>ANGLES +/- 2°</p>
<p>MATERIAL: MATTE</p>	<p>SCALE: 6:1</p>	<p>REV: D</p>
<p>FINISH: .008" [0.20] PRE TIN STEEL</p>	<p>CAGE CODE: 4J674</p>	<p>SHEET: 1 OF 1</p>

<p>LEADER TECH</p> <p>The Leading Edge in PCB Manufacturing Technology</p>		
<p>TITLE: SURFACE MOUNT SHIELD</p>		
<p>SIZE: D</p>	<p>DWG. NO.: SMS-202</p>	<p>REV: D</p>

CARRIER TAPE SPECIFICATIONS						
PART NUMBER	DESCRIPTION	OVERALL DIMENSIONS	OVERALL HEIGHT	CARRIER TAPE WIDTH	CARRIER TAPE PITCH	PARTS PER REEL
SMS-202-F	FRAME	.650 X .650 [16.51 X 16.51]	.142 [3.60]	32 mm	24 mm	700
SMS-202-C	COVER	.672 X .672 [17.07 X 17.07]	.079 [2.01]	N/A	N/A	BULK PACK

THIS DOCUMENT CONTAINS PROPRIETARY INFORMATION OWNED BY LEADERTECH. OR DEVELOPED AT ITS OWN PRIVATE EXPENSE AND MAY NOT BE USED, DUPLICATED OR DISCLOSED IN WHOLE OR IN PART FOR ANY PURPOSE INCLUDING DESIGN, MANUFACTURE OR PROCUREMENT WITHOUT THE WRITTEN PERMISSION OF LEADERTECH. LEADERTECH DOES NOT GUARANTEE OR WARRANT THE PERFORMANCE CHARACTERISTICS.