

CAM LOCK



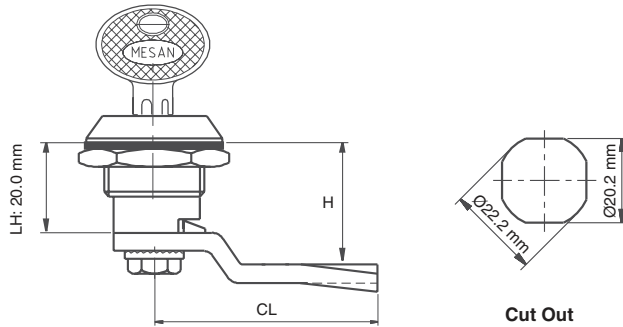
*Example with cam. Cam sold separately.

Specifications

- **Material:**
Housing: Zinc Alloy (Zamak) DIN-EN 1774-ZnAl4Cu1 or PA6 GFR 30
Cam: Steel or Plastic
Gasket: Rubber
- **Finish:** Chrome or Black coated

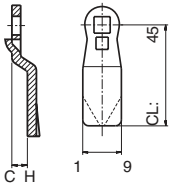
Features

- Quarter-turn operation
- Body length 20.5mm (please be sure to order appropriate cam)
- Available in all die-cast zinc alloy or with polyamide housing



Zinc Alloy / Chrome	Item Number Zinc Alloy / Black	Nylon / Black	Driver	Cam
063110100	063120100	063200100	Keyed alike	Select Cam Below

Steel Cam

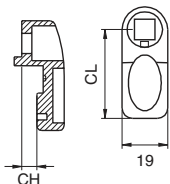


Material: Steel
Finish: Zinc plated
Thickness: 4 mm

Item Number	CH (mm)	CL (mm)	H (mm)
30403033	0	45	20
30403439	1	45	21
30403159	2	45	22
30403063	3	45	23
30403149	4	45	24
30403160	6	45	26
30403161	8	45	28
30403162	10	45	30
30403045	12	45	32
30403163	14	45	34
30403151	16	45	36
30403165	18	45	38

Item Number	CH (mm)	CL (mm)	H (mm)
30403166	20	45	40
30403167	22	45	42
30403168	24	45	44
30403169	-2	45	18
30403170	-4	45	16
30403171	-6	45	14
30403172	-8	45	12
30403173	-10	45	10
30403174	-12	45	8
30403175	-14	45	6

Nylon Cam



Item Number	CH (mm)	CL (mm)	H (mm)
30402004	0	35	18.5
30402011	0	25	18.5
30402005	6	35	24.5
30402008	4	45	22.5
30402013	-4	45	14.5