

Fast-Acting CUBEFuse

Photovoltaic Applications



Catalog Symbol: PVCF_RN

Fast-Acting Fuse — 6-minutes maximum clearing time at 200% rated current for 30 to 60A fuse
 — 8-minutes maximum clearing time at 200% rated current for 70 to 100A fuse

Ratings:

- Volts — 600Vdc
- Amps — 35-100A
- IR — 50kA DC (UL & CSA)

Agency Information:

- UL Listed Fuse: Guide JFGA, File E335324
- CSA component certified C22.2

Other Ratings/Specifications:

Watts Loss at rated current: PVCF35RN: 5.45W
 PVCF60RN: 7.27W
 PVCF100RN: 11.50W

Operating and Storage Temperature Range: -40 to 90°C

Material Specifications:

- Case: Glass filled PES (Polyethersulfone)
- Terminals: Copper alloy
- Terminal plating: Electroless tin

Catalog Numbers (amp rating)

| Non-Indicating CUBEFuse | | |
|-------------------------|----------|-----------|
| PVCF35RN | PVCF50RN | PVCF80RN |
| PVCF40RN | PVCF60RN | PVCF90RN |
| PVCF45RN | PVCF70RN | PVCF100RN |

Carton Quantity and Weight

| Amp Rating | Carton Qty. | Weight Per Carton | |
|--------------|-------------|-------------------|------|
| | | lbs | kg |
| PVCF-35-60A | 12 | 1.42 | 0.65 |
| PVCF-70-100A | 6 | 1.74 | 0.79 |

Features and Product Benefits

- Maximize uptime and reliability using fuses designed and listed to UL 2579: Low Voltage Fuses- Fuses for 600Vdc Photovoltaic Systems
- Fast-acting protection specifically designed for low-fault current conditions that occur in PV systems
- Maximize return on investment with fuses proven to withstand harsh temperatures; demonstrated performance in extreme temperature cycling conditions, ranging from -40°C through 90°C
- Minimize panel space by up to 70% with readily available Class CF holders
- Proven to clear faults faster than the UL requirement
- Minimal energy consumption leading to increased efficiency
- Ampacity rejecting holders help prevent overfusing
- Finger-safe construction minimizes exposure to live parts, reducing hazard to personnel

CUBEFuse Holders

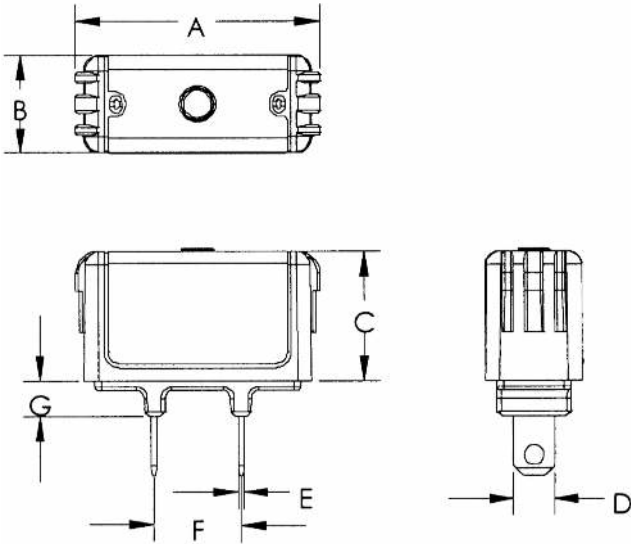
| Catalog Numbers (amps) | Fits Fuse Holder | |
|------------------------|------------------|----------|
| | TCFH60N | TCFH100N |
| Non-Indicating | X | X |
| PVCF35RN | X | X |
| PVCF40RN | X | X |
| PVCF45RN | X | X |
| PVCF50RN | X | X |
| PVCF60RN | X | X |
| PVCF70RN | | X |
| PVCF80RN | | X |
| PVCF90RN | | X |
| PVCF100RN | | X |

CUBEFuse Holders



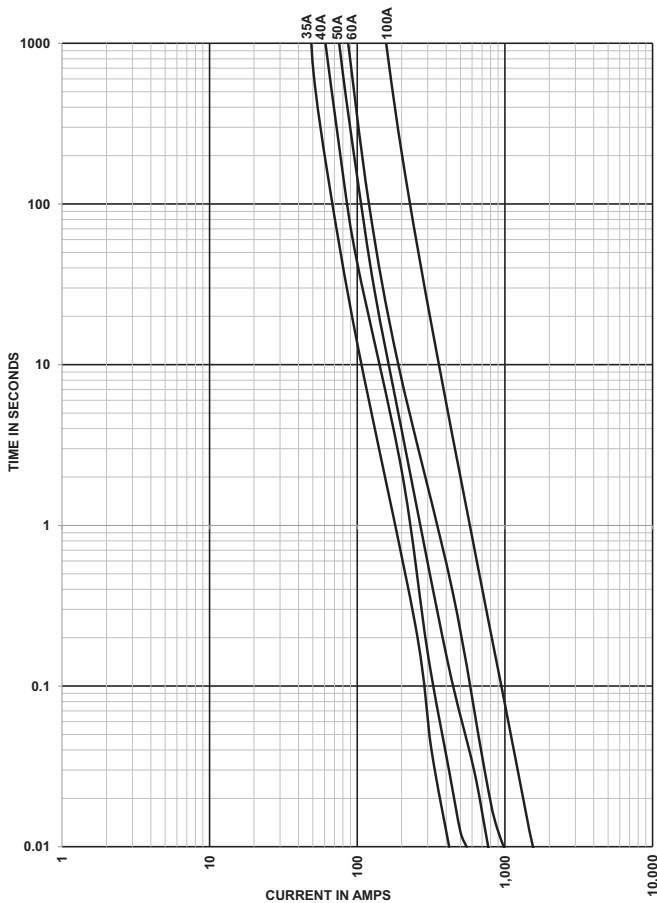
All 100 and 60A CUBEFuse holders can dovetail together for the required number of poles with the smallest footprint possible compared to Class J solutions. See CUBEFuse holder Data Sheet 9007

PVCF_RN Dimensions – in (mm)



| Fuse Amps | Dimensions - in (mm) | | | | | | |
|-----------|----------------------|-----------------|-----------------|-----------------|----------------|-----------------|----------------|
| | A | B | C | D | E | F | G |
| 35-40 | 2.13 (54.10) | 1.00 (25.40) | 1.13 (28.58) | 0.36 (9.10) | 0.04 (1.02) | 0.63 (15.93) | 0.38 (9.65) |
| 45-50 | 2.13 (54.10) | 1.00 (25.40) | 1.13 (28.58) | 0.44 (11.13) | 0.04 (1.02) | 0.63 (15.93) | 0.38 (9.65) |
| 60 | 2.13 (54.10) | 1.00 (25.40) | 1.13 (28.58) | 0.44 (11.13) | 0.04 (1.02) | 0.63 (15.93) | 0.38 (9.65) |
| 70 | 3.01 (76.45) | 1.00 (25.40) | 1.26 (32.00) | 0.49 (12.45) | 0.06 (1.60) | 0.58 (14.78) | 0.38 (9.65) |
| 80-90 | 3.01 (76.45) | 1.00 (25.40) | 1.26 (32.00) | 0.49 (12.45) | 0.06 (1.60) | 0.58 (14.78) | 0.38 (9.65) |
| 100 | 3.01 (76.45) | 1.00 (25.40) | 1.26 (32.00) | 0.57 (14.48) | 0.06 (1.60) | 0.58 (14.78) | 0.38 (9.65) |

Time-Current Characteristic Curves—Average Melt



Current Limitation Curves

