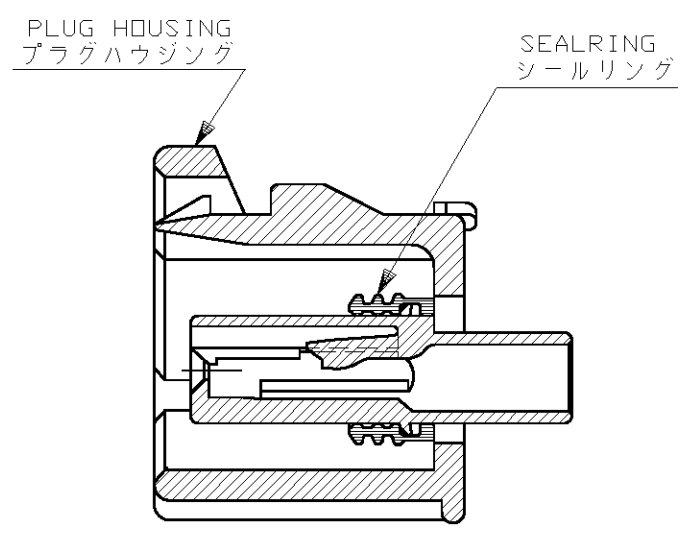
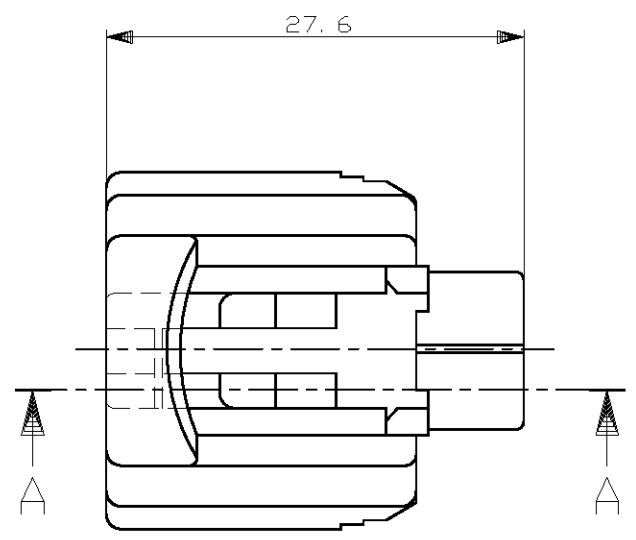
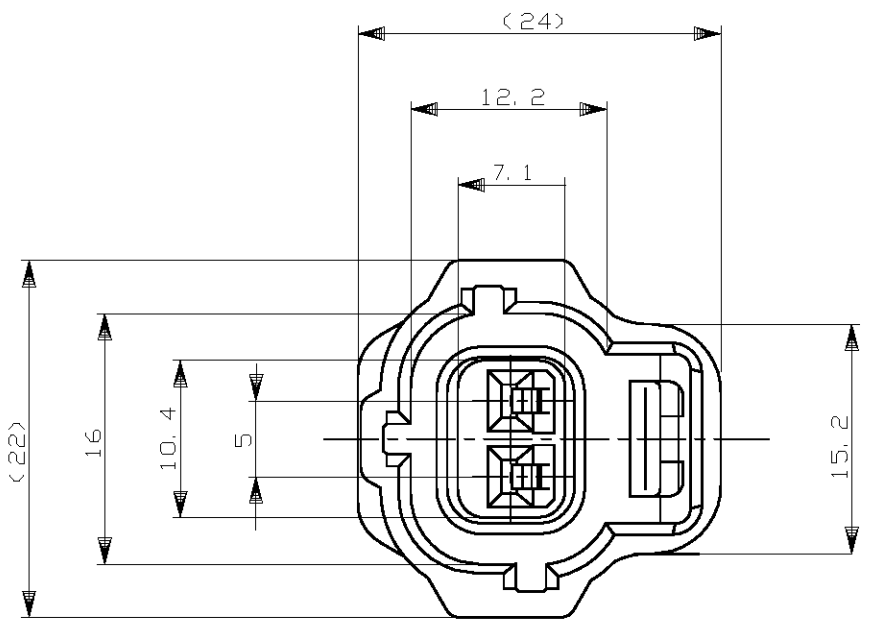


THIS DRAWING IS UNPUBLISHED. RELEASED FOR PUBLICATION  
 © COPYRIGHT - By - ALL RIGHTS RESERVED.

LOC	DIST	REVISIONS					
		P	LTR	DESCRIPTION	DATE	DWN	APVD
J	-	E1	REVISED	ECR-14-002382	10MAR2014	TS	KB



SECT 断面 A-A

- 1. 本品はプラグハウジング単体とNBR製シールリングから構成されている。
- 2. 適用端子型番；下表による。

- 1. THIS PRODUCT CONSISTS OF A PLUG HOUSING AND A SEAL RING WHICH IS MADE OF NBR.
- 2. APPLIED CONTACT ;

CONTACT PN	WIRE RANGE	INSULATION DIA
171630	AVS 0.2~AV0.5	1.4φ~2.4φ
171662	AVS 0.5~1.25	2φ~2.6φ

DARK GREEN / 濃緑	1-174374-4
GRAY / 灰	174374-6
GREEN / 緑	174374-4
BROWN / 茶	174374-3
COLOR / 色	PART NUMBER

TOLERANCES UNLESS OTHERWISE SPECIFIED:

10 ≥	: ±0.2
30 ≥	> 10 : ±0.25
100 ≥	> 30 : ±0.3
ANGLE : ±3°	

THIS DRAWING IS A CONTROLLED DOCUMENT.		DWN	C.TAGUCHI	2/23'88	<b>STE</b> TE Connectivity													
DIMENSIONS: mm		CHK	M.TSUKAKOSHI	2/22'89														
TOLERANCES UNLESS OTHERWISE SPECIFIED:		APVD	Y.MATSUSAKA	2/22'89	NAME													
<table border="1"> <tbody> <tr><td>0 PLC</td><td>± -</td></tr> <tr><td>1 PLC</td><td>± -</td></tr> <tr><td>2 PLC</td><td>± -</td></tr> <tr><td>3 PLC</td><td>± -</td></tr> <tr><td>4 PLC</td><td>± -</td></tr> <tr><td>ANGLES</td><td>± -</td></tr> </tbody> </table>		0 PLC	± -	1 PLC	± -	2 PLC	± -	3 PLC	± -	4 PLC	± -	ANGLES	± -	PRODUCT SPEC		070 SERIES EJ-2 2Pos. PLUG HOUSING (D)		
0 PLC	± -																	
1 PLC	± -																	
2 PLC	± -																	
3 PLC	± -																	
4 PLC	± -																	
ANGLES	± -																	
MATERIAL		APPLICATION SPEC		RESTRICTED TO														
PBT GRASS FILLED (ガラス入り)		FINISH		-														
WEIGHT		5.3 g		SIZE	CAGE CODE	DRAWING NO	RESTRICTED TO											
CUSTOMER DRAWING		A300779		C-174374		-												
SCALE		2:1		SHEET		1 OF 1	REV											
							E1											