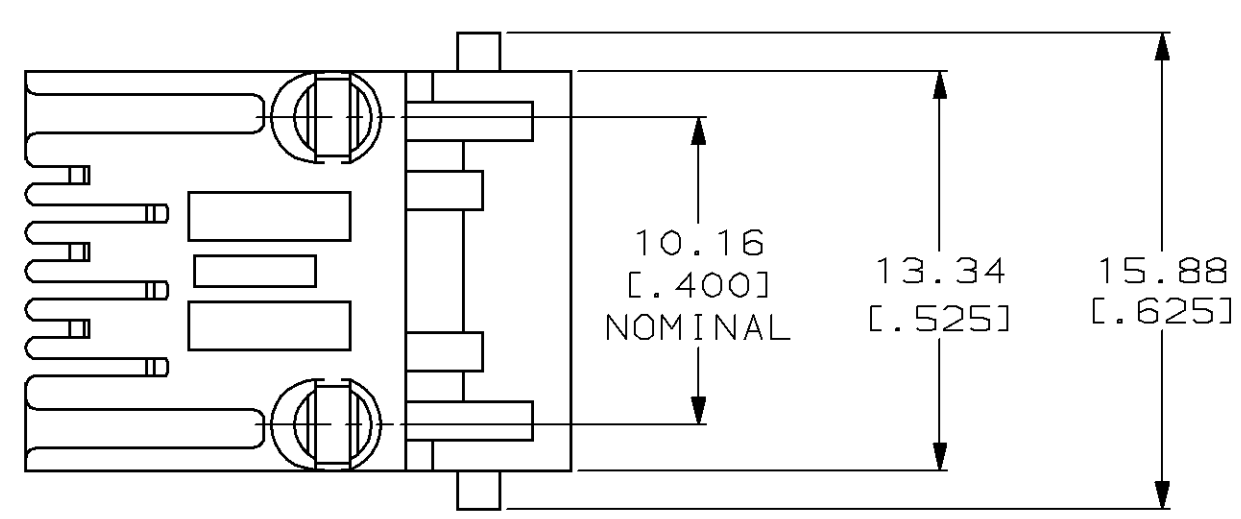
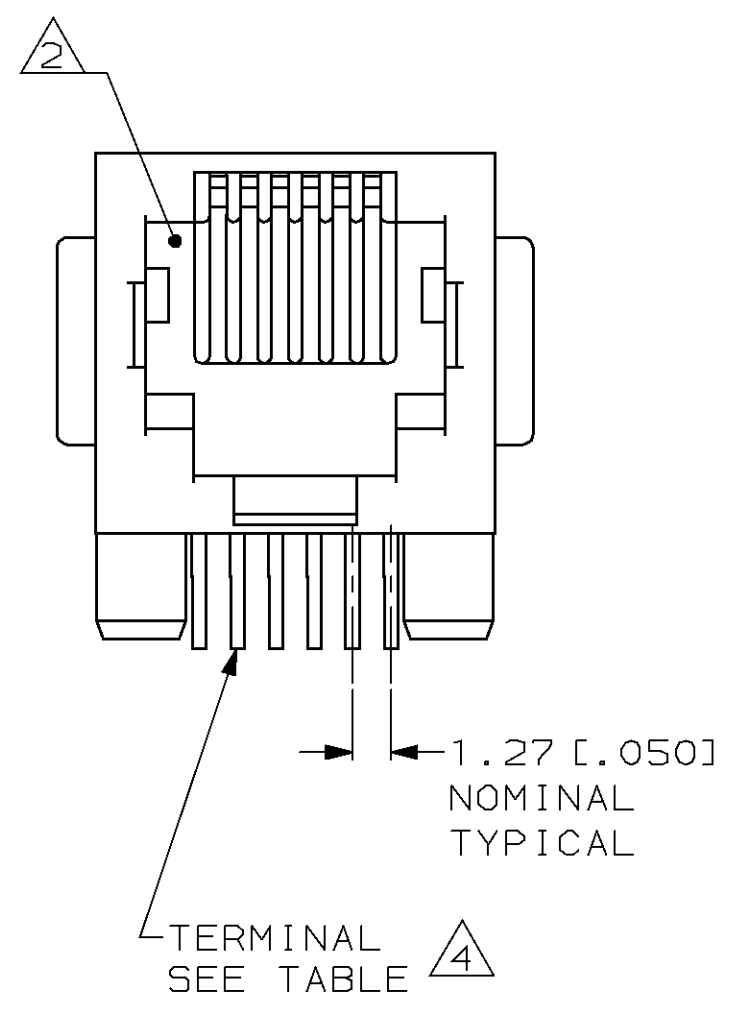
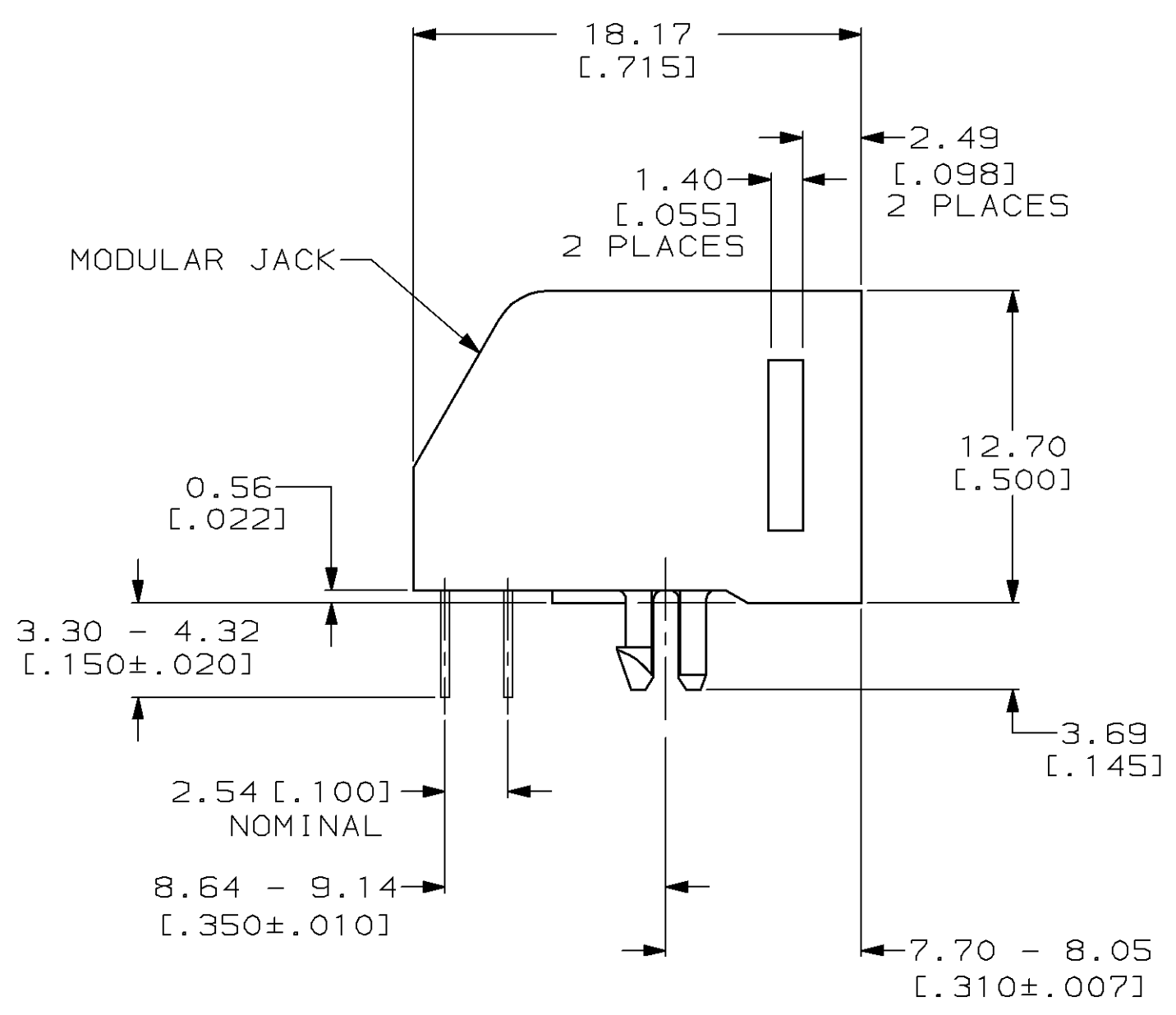
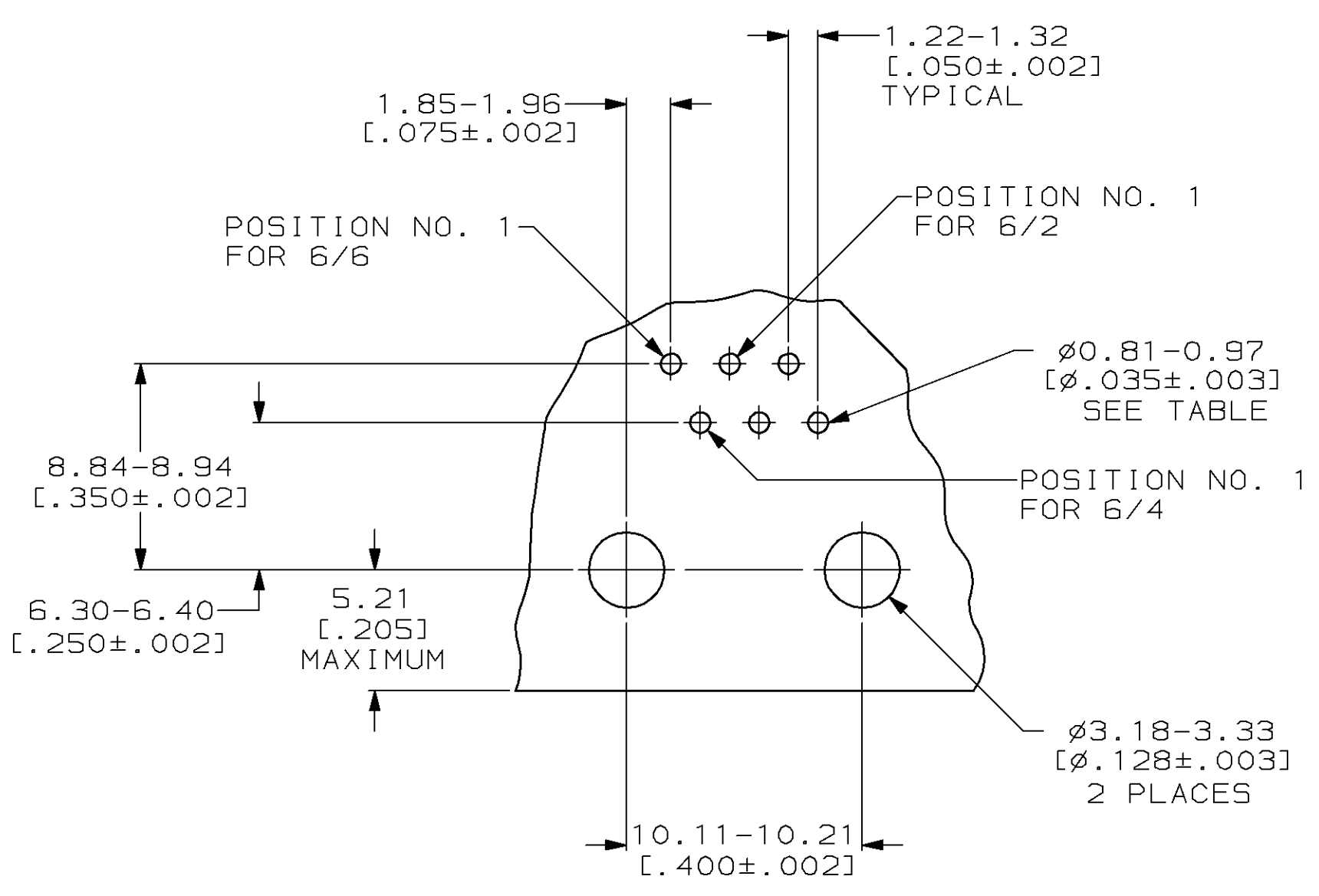


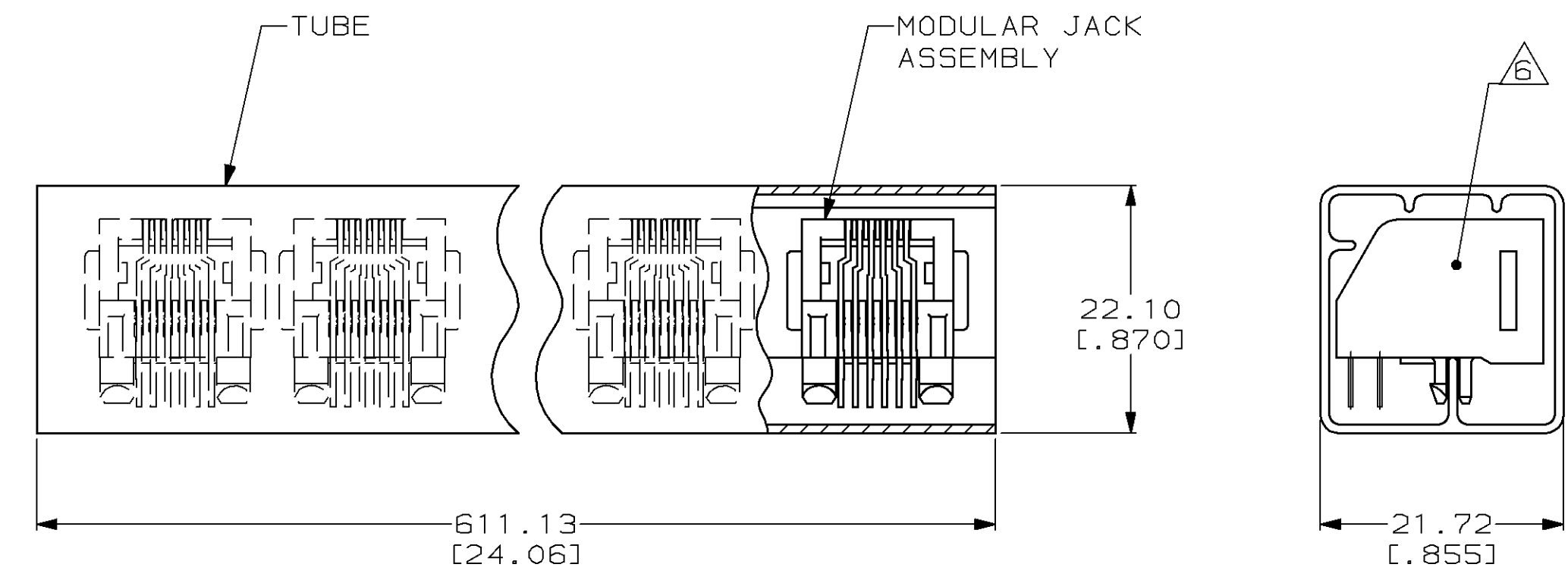
| LOC | DIST    | REVISIONS    |         |     |      |
|-----|---------|--------------|---------|-----|------|
| P   | LTR     | DESCRIPTION  | DATE    | OWN | APVD |
| H   | REV, EC | 0502-0353-98 | 10JUN98 | DLD | CMB  |



- 1 MATERIAL: HOUSING - PBT POLYESTER, BLACK.  
TERMINAL - 0.35 [.0138] THICK PHOSPHOROUS-BRONZE PLATED WITH 1.27μm [.000050] THICK HARD GOLD IN LOCALIZED GOLD PLATE AREA AND 2.03μm [.000080] THICK TIN LEAD IN SOLDER AREA OVER 1.27μm [.000050] THICK NICKEL UNDERPLATE.
- 2 CAVITY CONFORMS TO FCC RULES AND REGULATIONS PART 68, SUBPART F.
- 3 DIMENSIONS ARE MAXIMUM UNLESS OTHERWISE SPECIFIED.
- 4 TERMINALS FOR 555163-2 AND -5 LOCATED IN CENTER POSITIONS.
- 5 BULK PACKAGED IN A TRAY.
- 6 PACKAGED 36 ASSEMBLIES PER TUBE WITH BOTH ENDS CLOSED. SEE DETAIL A.



SUGGESTED PRINTED CIRCUIT BOARD MOUNTING HOLE LAYOUT VIEW SHOWN AS COMPONENT SIDE OF BOARD



DETAIL A SCALE 2:1

| PACKAGE | TERMINALS REQUIRED | PART NUMBER |
|---------|--------------------|-------------|
| 5       | 2                  | 555163-5    |
| 6       | 6                  | 555163-4    |
| 4       | 4                  | 555163-2    |
| 5       | 6                  | 555163-1    |

THIS DRAWING IS A CONTROLLED DOCUMENT.

|                                  |   |
|----------------------------------|---|
| DWN<br>DL DRUMMOND<br>25-MAR-98  | AMP Incorporated<br>Harrisburg, PA 17105-3608   |
| OK<br>DL DRUMMOND<br>25-MAR-98   |   |
| APVD<br>CM BEIGHTOL<br>25-MAR-98 | NAME<br>MODULAR JACK ASSEMBLY,<br>6 POSITION, LOW PROFILE, RIGHT<br>ANGLE, WITH PANEL STOPS |
| DIMENSIONS:<br>mm [INCHES]       | TOLERANCES UNLESS<br>OTHERWISE SPECIFIED:   |
| 0 PLC ±.01                       | 1 PLC ±.01  |
| 1 PLC ±.01                       | 2 PLC ±.01  |
| 2 PLC ±.01                       | 3 PLC ±.01  |
| 3 PLC ±.01                       | 4 PLC ±.01  |
| 4 PLC ±.01                       | ANGLES ±.01   |
| MATERIAL                         | FINISH  |
| WEIGHT                           | RESTRICTED TO   |
| CUSTOMER DRAWING                 | SCALE 4:1   |

AMP 4805 REV 11JUN97

10-JUN-98 13:55:01 amp36051 /home/amp36051/edmod