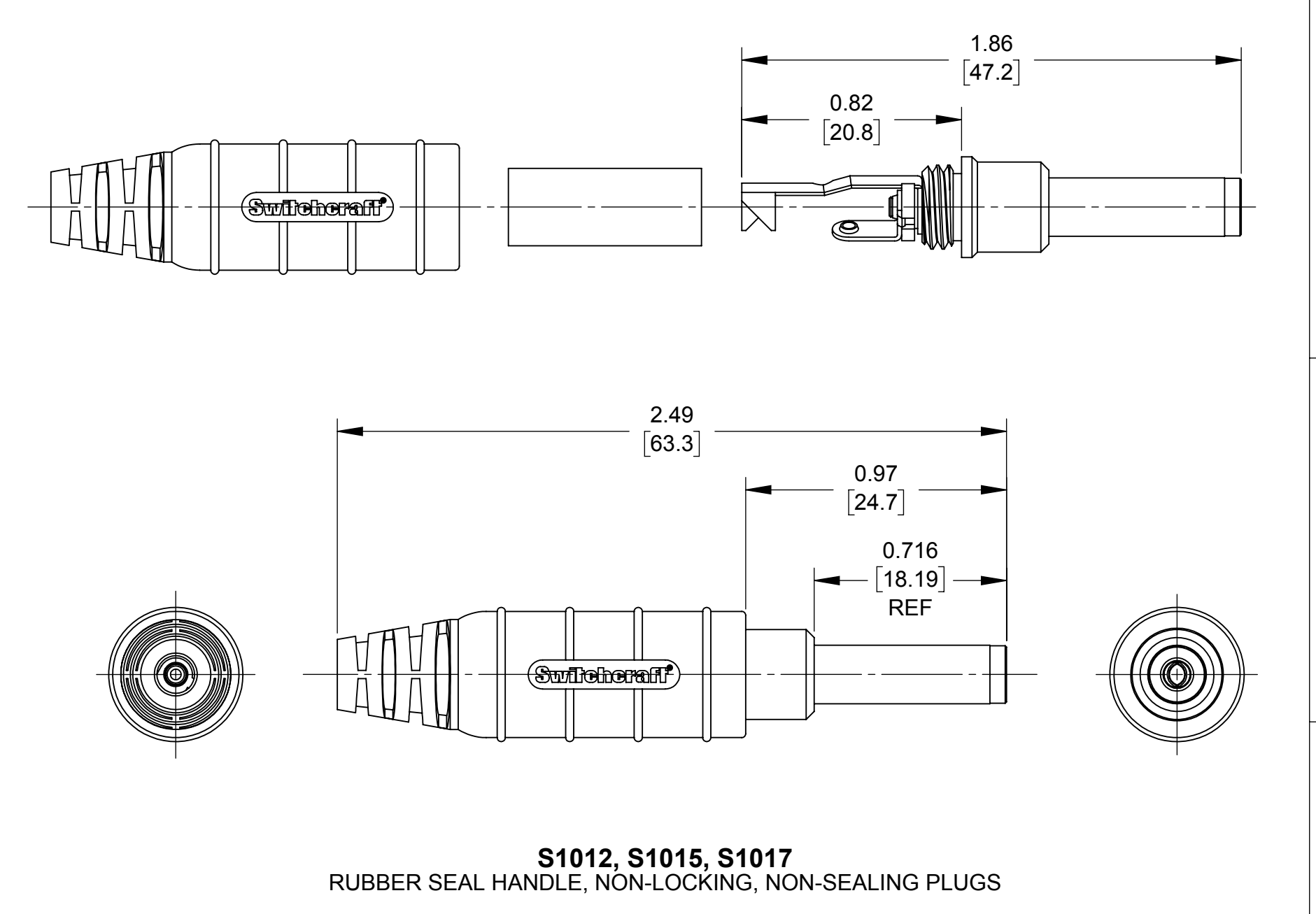
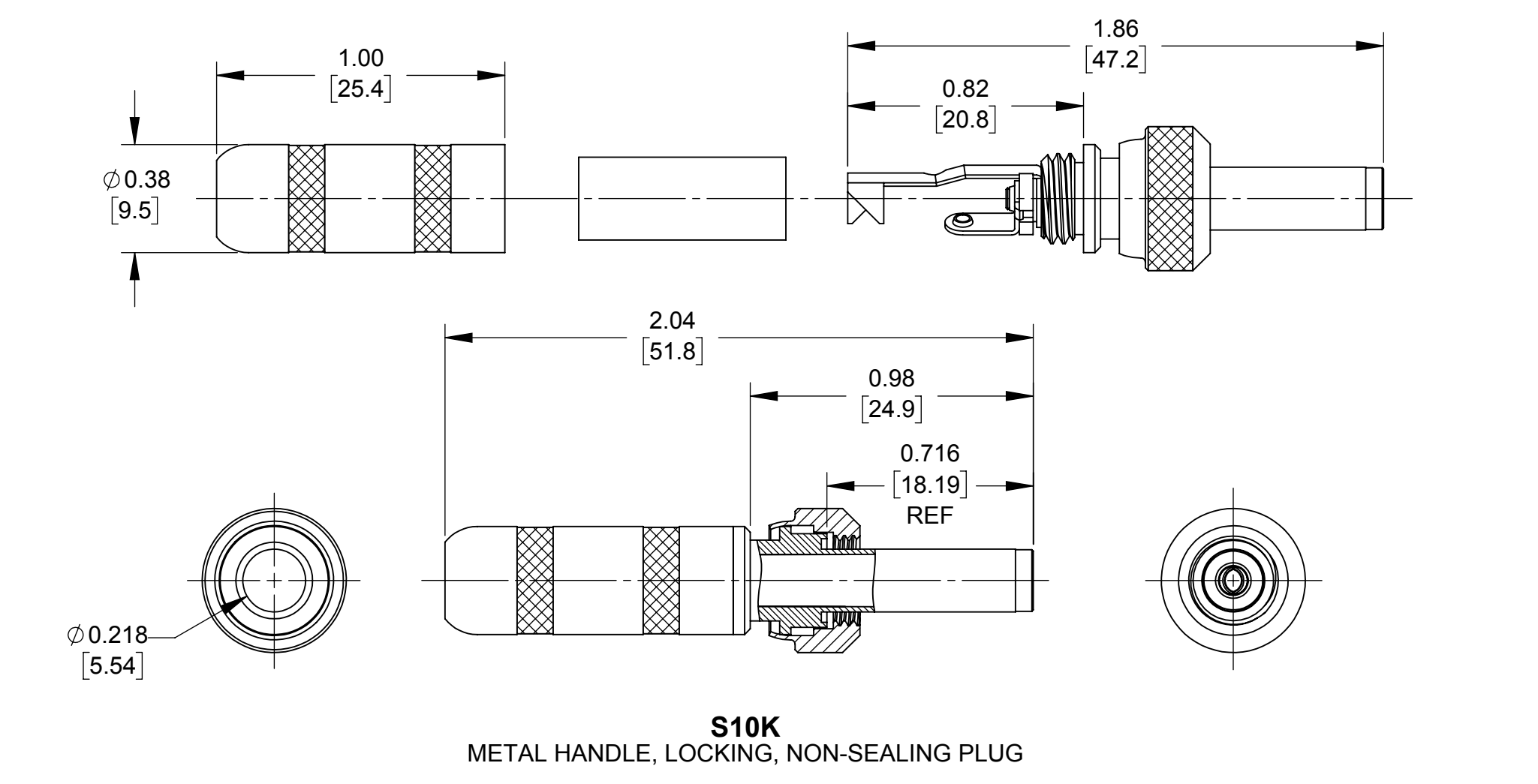


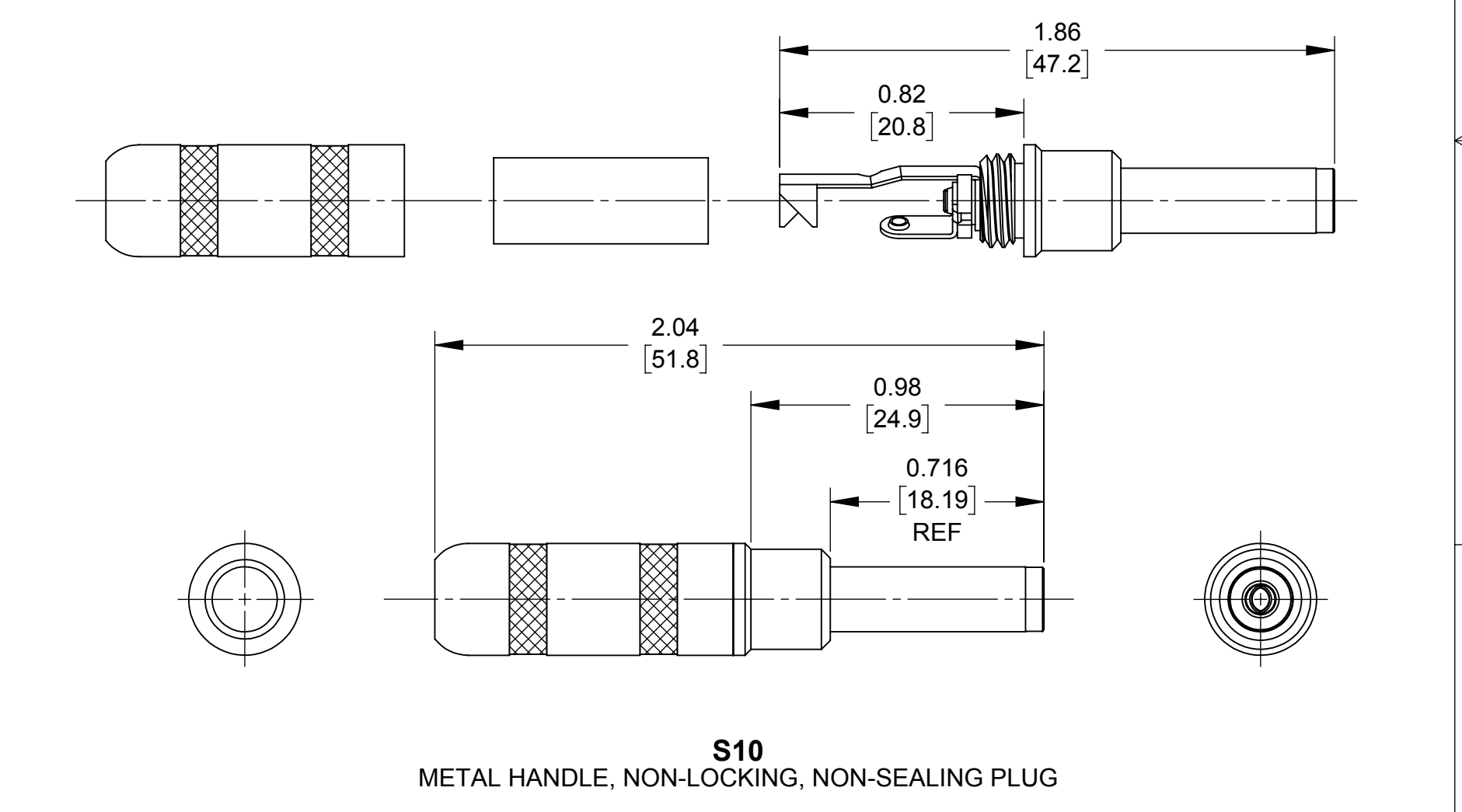
S10KS12, S10KS15, S10KS17
RUBBER SEAL HANDLE, LOCKING, SEALING PLUGS



S1012, S1015, S1017
RUBBER SEAL HANDLE, NON-LOCKING, NON-SEALING PLUGS



S10K
METAL HANDLE, LOCKING, NON-SEALING PLUG



S10
METAL HANDLE, NON-LOCKING, NON-SEALING PLUG

- NOTES:
- HANDLE AND TUBULAR INSULATOR SUPPLIED UNASSEMBLED.
 - MATERIAL:
 CENTER CONTACT - COPPER ALLOY, SILVER PLATED
 TERMINALS - COPPER ALLOY, TIN PLATED
 PLUG BARREL - COPPER ALLOY, NICKEL PLATED
 COUPLING RING - COPPER ALLOY, NICKEL PLATED
 METAL HANDLE - COPPER ALLOY, NICKEL PLATED
 RUBBER SEAL HANDLE - BLACK ELASTOMER
 OVER METAL HANDLE
 TIP INSULATOR - THERMOPLASTIC, BLUE
 TERMINAL INSULATOR - PHENOLIC
 TUBULAR INSULATOR - MYLAR
 O-RING - ELASTOMER, BLACK
 - THESE PRODUCTS ARE RoHS COMPLIANT.

PART NUMBER	HANDLE TYPE	CABLE O.D. RANGE REF	MATING POWER JACKS
S10	METAL	UP TO 0.218"	RAPC10S, RAPC10PS, RASPC10S, RASH10S, RASH10PS, RASM10S, RASM10PS, RASSM10S
S10K			
S1012	RUBBER SEAL HANDLE	0.125" - 0.150"	RAPC10, RAPC10P, RASPC10, RASH10, RASH10P, RASM10, RASM10P, RASSM10
S1015		0.150" - 0.175"	
S1017		0.175" - 0.210"	
S10KS12		0.125" - 0.150"	
S10KS15		0.150" - 0.175"	
S10KS17	0.175" - 0.210"		

REV	ECO NUMBER	DATE	BY	APVD
A	27139	04/29/13	PC	TJK

REVISIONS

CUSTOMER DRAWING

THIS DRAWING DESCRIBES A DESIGN CONSIDERED PROPRIETARY IN NATURE, DEVELOPED AND MANUFACTURED BY SWITCHCRAFT INC. AND IS RELEASED ON A CONFIDENTIAL BASIS FOR IDENTIFICATION PURPOSES ONLY.

SIZE	WIDTH	MULT	LBS/M	TEMPER
UNLESS OTHERWISE SPECIFIED				
1. ALL DIMENSIONS IN INCHES [mm]				
- TWO PLACE DECIMALS ±0.02 [0.5]				
- THREE PLACE DECIMALS ±0.005 [0.13]				
FINISH SPEC No.	FIRST USED ON			MATERIAL SPEC No.
DATE DRAWN	BY	CHKD	APVD	SCALE
02/16/12	PNK	PNK	APVD SRC	2:1
NAME				REV
S10 SERIES POWER PLUGS, RoHS				A
PART No.			SHEET 1 OF 1	
S10 SERIES			S10 SERIES	

Switchcraft®

DO NOT SCALE DRAWING