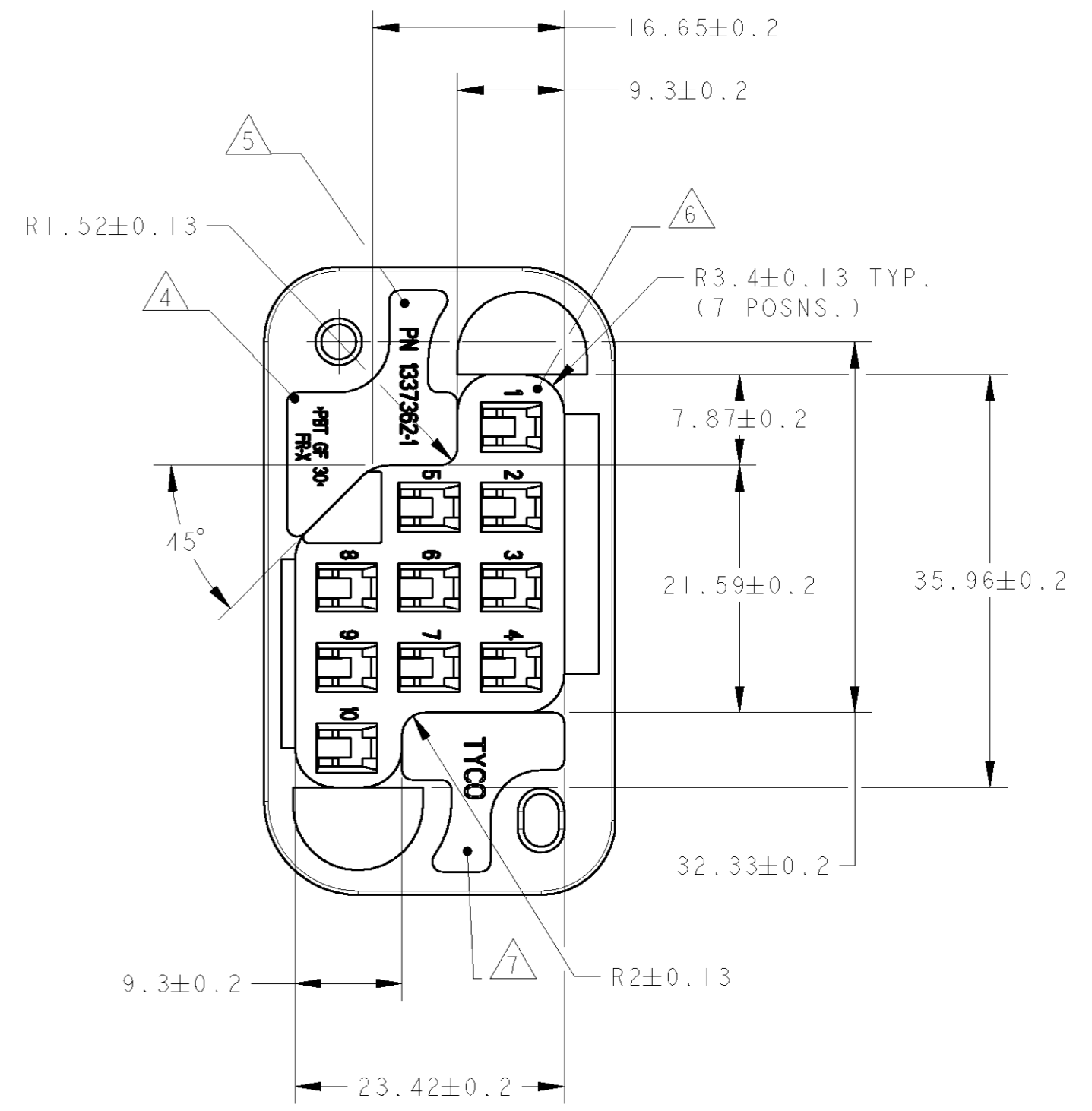
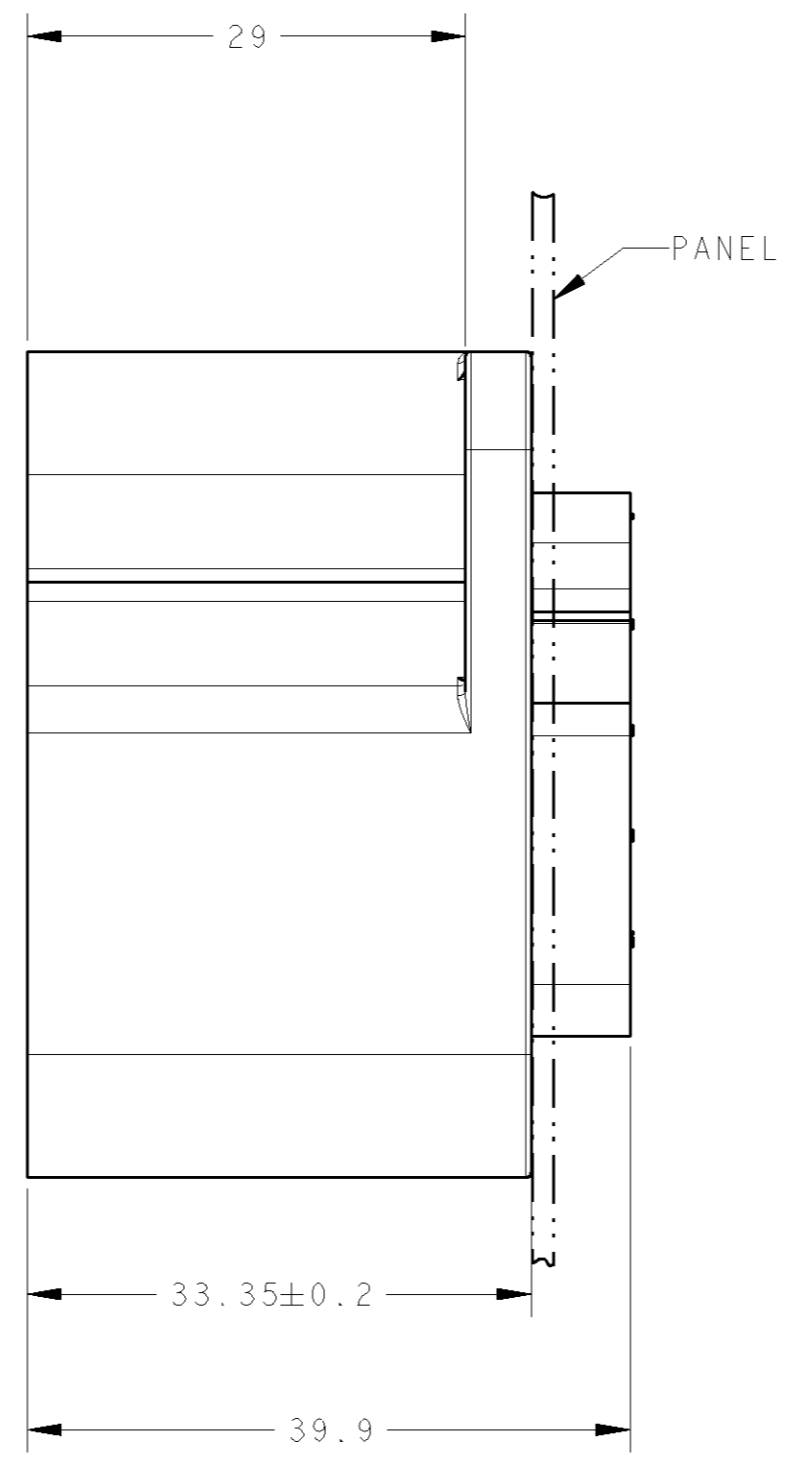
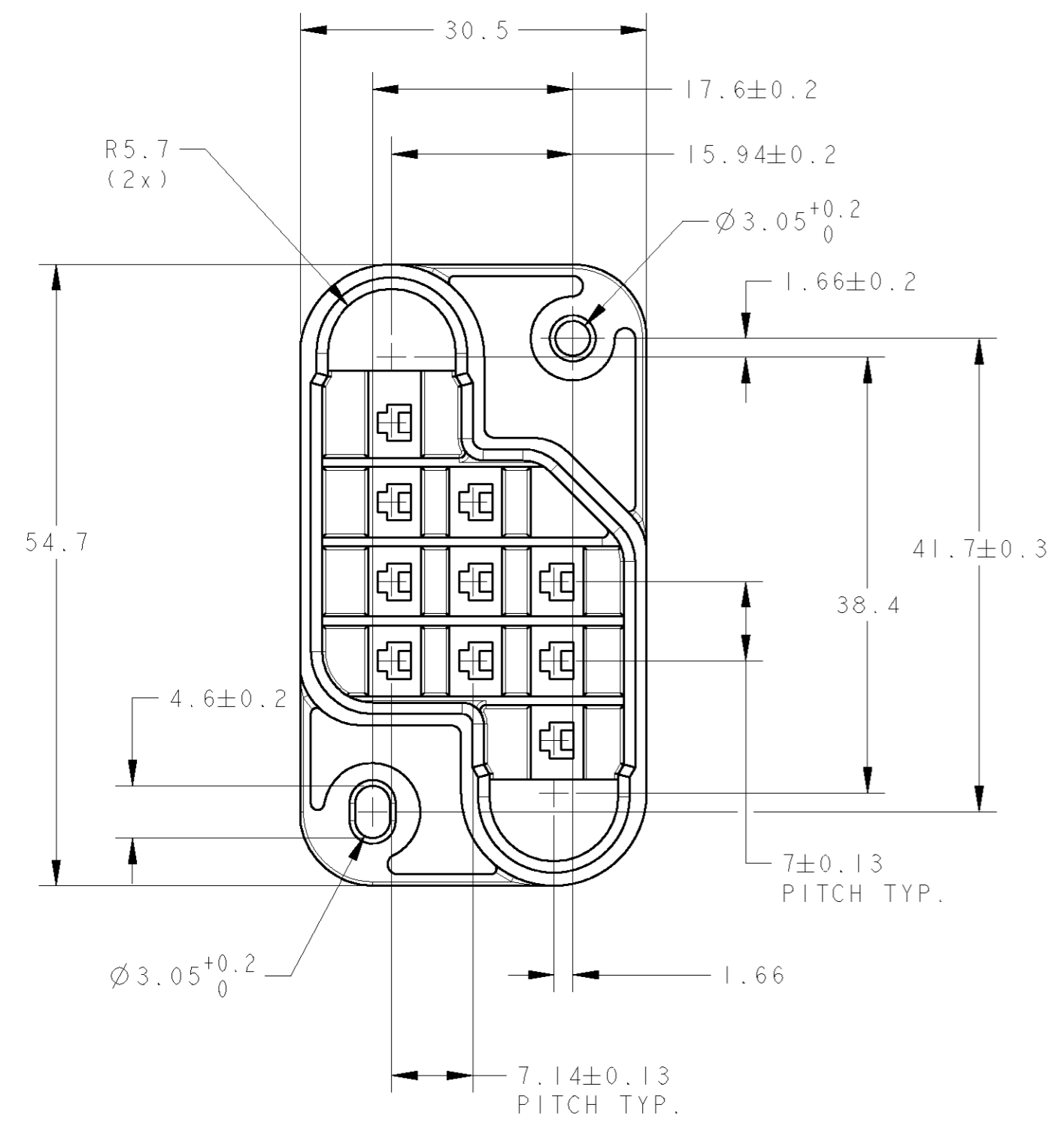


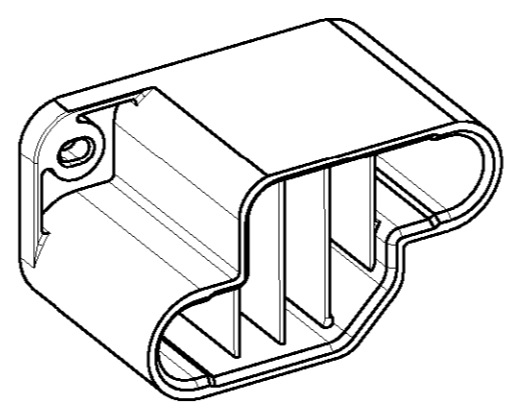
THIS DRAWING IS UNPUBLISHED. RELEASED FOR PUBLICATION DATE: -
 © COPYRIGHT - By Tyco Electronics Nederland B.V. ALL RIGHTS RESERVED.

LOC	DIST	REVISIONS			
		LTR	DESCRIPTION	DATE	APVD
H	-	BI	EHC0-0124-04	26APR04	PJ
		B	EH01-0101-04	22JAN04	PJ
		A	EH00-1340-01	29NOV01	PB



- NOTES:
- THIS TAB HOUSING MATES WITH RECEPTACLE HOUSING PART NUMBER 1337363-1.
 - THIS HOUSING ACCEPTS STANDARD HYBRID MINI DRAWER CONNECTOR TAB CONTACTS - 4 X PN 179321-2 (POWER) AND 5 X PN 179322-2 (SIGNAL) AND 1 X PN 179321-2 (EARTH) IN CAVITY 10.

- ③ MATERIAL: 30% GLASS FILLED POLYESTER, VO RATED, COLOUR BLACK.
- ④ RAISED MATERIAL IDENTIFIER.
- ⑤ RAISED AMP PART NUMBER.
- ⑥ RAISED CIRCUIT CAVITY IDENTIFICATION NUMBERS.
- ⑦ RAISED AMP LOGO.



SCALE 1:1

NOTE 3	1337362-1
MATERIAL	PARTNUMBER

THIS DRAWING IS A CONTROLLED DOCUMENT FOR Tyco Electronics Nederland B.V. IT IS SUBJECT TO CHANGE AND THE CONTROLLING ENGINEERING ORGANIZATION SHOULD BE CONTACTED FOR THE LATEST REVISION.		DWN M. HUGHES CHK F.W-KING APVD F.W-KING		AMP Tyco Electronics Nederland B.V. 's-HERTOGENBOSCH, THE NETHERLANDS	
DIMENSIONS: mm TOLERANCES UNLESS OTHERWISE SPECIFIED: 0 PLC ± - 1 PLC ± ±0.5 2 PLC ± - 3 PLC ± - 4 PLC ± - ANGLES ± 0.2° FINISH		PRODUCT SPEC - APPLICATION SPEC - WEIGHT -		NAME 10 POSITION TAB HOUSING (DRAWER SIDE) DRAWER CONNECTOR	
MATERIAL ③		SIZE A2 CAGE CODE 00779 DRAWING NO. 1337362		CUSTOMER DRAWING SCALE 2:1 SHEET 1 OF 1 REV BI	