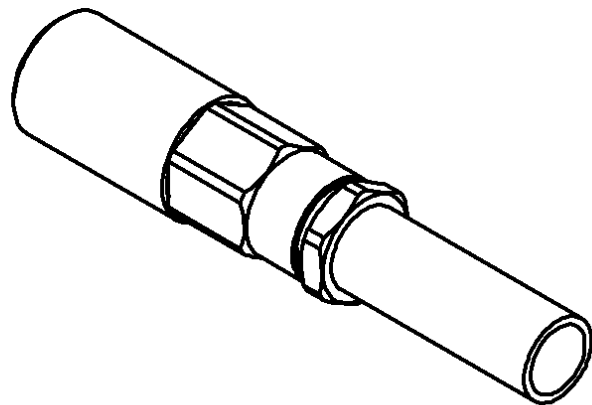
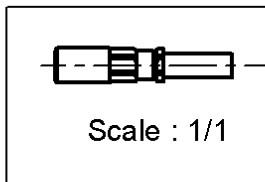
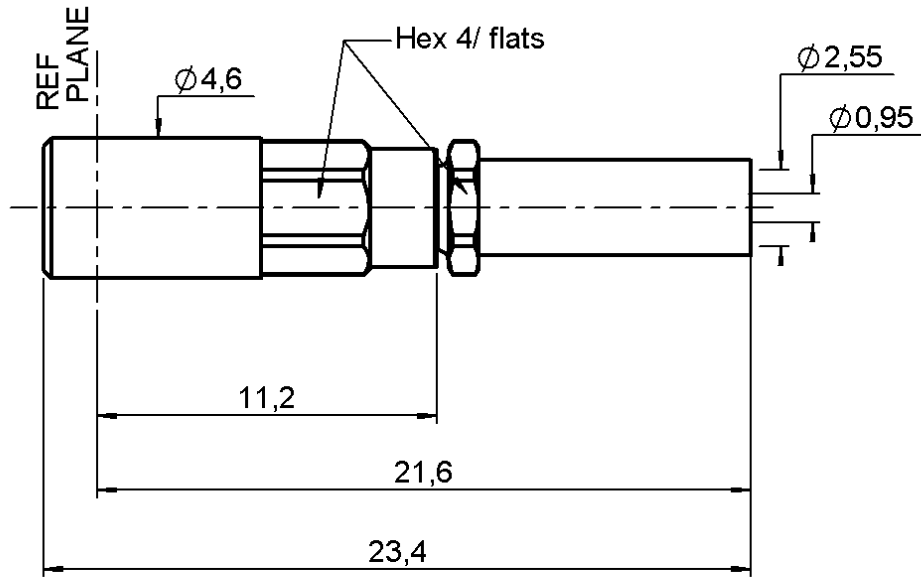


STRAIGHT PLUG CRIMP -

R203.073.030

CABLE 2/50 S

Series : **SSMB**



All dimensions are in mm.



COMPONENTS	MATERIALS	PLATINGS (μm)
BODY	BRASS	GOLD 0.5 OVER NICKEL 2
CENTER CONTACT	BERYLLIUM COPPER	GOLD 1.3 OVER NICKEL 2
OUTER CONTACT	BERYLLIUM COPPER	GOLD 1.3 OVER NICKEL 2
INSULATOR	PTFE	
GASKET		
OTHERS PARTS	BRASS	GOLD 0.2 OVER NICKEL 2
-	-	-
-	-	-

Issue : 0402 A

In the effort to improve our products, we reserve the right to make changes judged to be necessary.



STRAIGHT PLUG CRIMP -

R203.073.030

CABLE 2/50 S

Series : **SSMB**

PACKAGING

Standard	Unit	Other
100	'W' option	Contact us

SPECIFICATION

ELECTRICAL CHARACTERISTICS

Impedance		50 Ω
Frequency		0-4 GHz
VSWR	1.37* +	0.000 x F(GHz) Maxi
Insertion loss		0.30 √F(GHz) dB Maxi
RF leakage	- (55 - F(GHz)) dB Maxi
Voltage rating		175 Veff Maxi
Dielectric withstanding voltage		500 Veff mini
Insulation resistance		1000 MΩ mini

CABLE ASSEMBLY

Stripping	a	b	c	d	e	f
mm	3.50	4.00	12.0	0.00	8.50	0.00

Assembly instruction : **see page 3**

Recommended cable(s)

RG 196
RG 178
KX 21
RG 178 LC

Characteristics indicated on this data sheet are those that can be achieved with the highest performance cable. Intrinsic limitations of the cable may diminish the performance of the assembly

Cable retention

- pull off **50** N mini
- torque **NA** N.cm

MECHANICAL CHARACTERISTICS

Center contact retention		
Axial force – Mating end	8	N mini
Axial force – Opposite end	8	N mini
Torque	NA	N.cm mini

TOOLING

Part Number	Description	Hexagon
.	.	.
R282.211.000	CRIMPING TOOL	
R282.235.003	CRIMPING DIES	
R282.293.000	CRIMPING TOOL	

Recommended torque		
Mating	NA	N.cm
Panel nut	NA	N.cm
Clamp nut	35.6	N.cm
A/F clamp nut	4.000	mm

Mating life	500	Cycles mini
Weight	1.500	g

OTHERS CHARACTERISTICS

* At 3 GHz

ENVIRONMENTAL

Operating temperature	-65/+155	° C
Hermetic seal	NA	Atm.cm3/s
Panel leakage	NA	

Issue : **0402 A**

In the effort to improve our products, we reserve the right to make changes judged to be necessary.



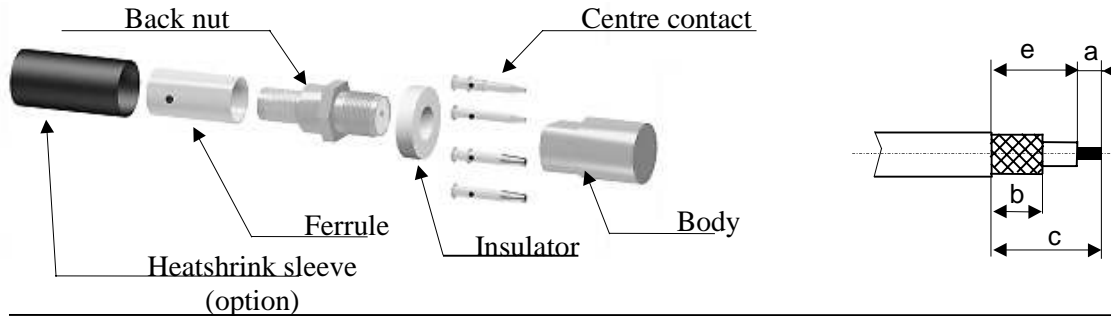
STRAIGHT PLUG CRIMP -

R203.073.030

CABLE 2/50 S

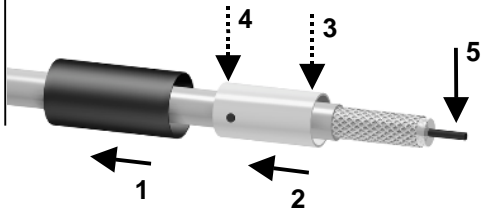
Series : SSMB

COMPONENTS



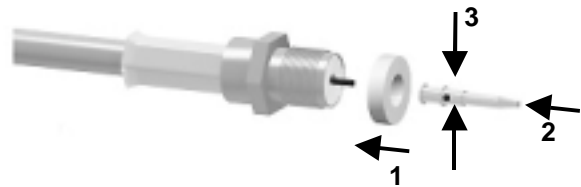
1

Slide the heatshrink sleeve onto the cable (Option).
Slide the ferrule onto the cable.
Position the ferrule's hole at the front if soldering.
Position the ferrule's hole at the back if crimping.
Strip the cable.



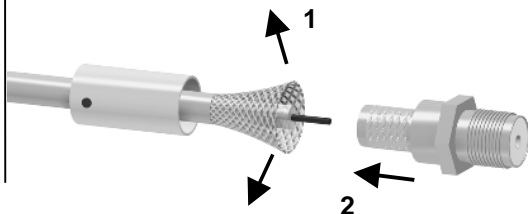
4

Slide the centre contact on until it bottoms against the insulator/back nut sub assembly.
Solder or crimp the contact (see connector TDS).



2

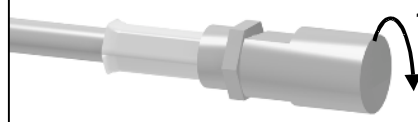
Fan the braid.
Slide the cable into the back nut.



5

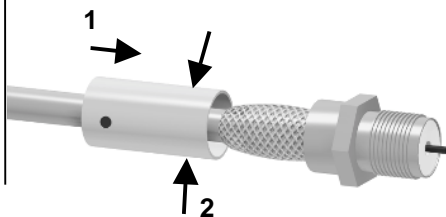
Mount center contact into remaining insulator and screw the back nut into the connector body with the adapted wrench.

Recommended coupling torque 170 N cm.



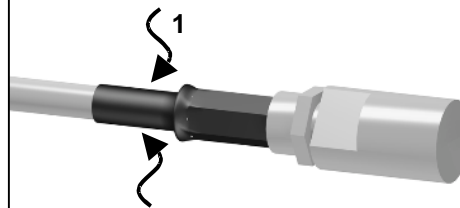
3

Slide the ferrule over the braid.
Crimp the ferrule with crimping tool (see connector TDS).



6

Slide the sleeve over the ferrule and heatshrink it in place (option).



Issue : 0402 A

In the effort to improve our products, we reserve the right to make changes judged to be necessary.

