

4

3

2

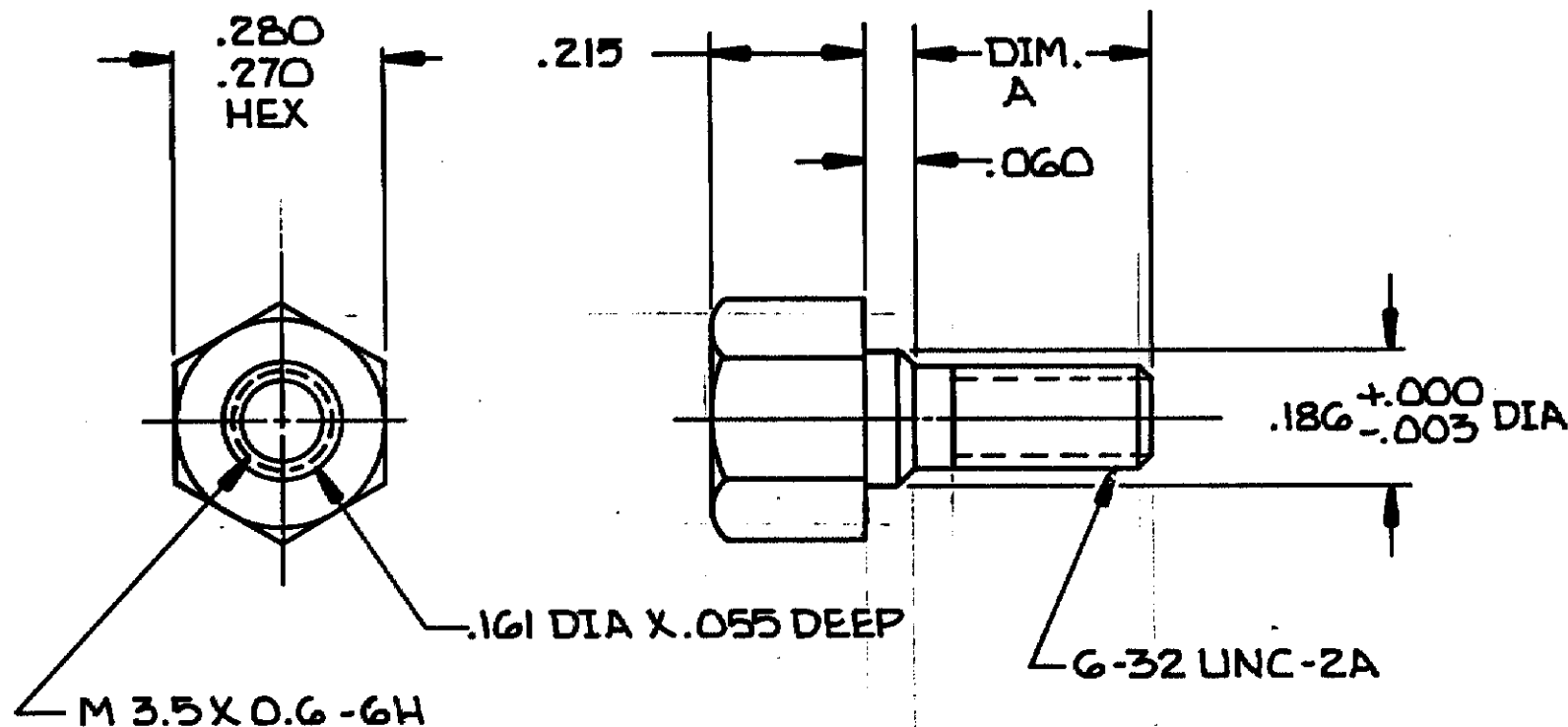
1

LOC AA DIST 20

DRAWING MADE IN THIRD ANGLE PROJECTION

THIS DRAWING IS UNPUBLISHED. RELEASED FOR PUBLICATION
© COPYRIGHT

REVISIONS						
P	F	ZONE	LTR	DESCRIPTION	DATE	APPROVED
✓			A1	REVISED PER ECO-11-005294	12APR11	HMR



1. ALL DIMENSIONS SHOWN ARE MAXIMUM UNLESS OTHERWISE SPECIFIED.
2. MATERIAL: BLACK OXIDE COATED CARBON STEEL.
3. PARTS COATED WITH AMP APPROVED CORROSION PREVENTATIVE.
4. PACKAGED 10,000 PER BOX.
5. PACKAGED 500 STANDOFFS PER BAG.

5	.320	554043-3
4	.205	554043-2
	.320	554043-1
PACKAGED	DIM. A	PART NO

UNLESS OTHERWISE SPECIFIED DIMENSIONS ARE IN INCHES. TOLERANCES ON: DECIMALS ± — ANGLES ± —	CONTRACT NO		TE Connectivity
	DR. <i>DB</i> 5-17-88		
	CHK. <i>g. Panty</i> 6/3/88		NAME STANDOFF, MOUNTING STUD, HEX HEAD, CHAMP®
	MATERIAL 2		APPD. <i>D. Trammell</i> 6/3/88 APPD. <i>R. J. Johnson</i> 6-3-88 DESGN APPD. OTHER APPD.
FINISH 2	SIZE B	FSCM NO 00779	DRAWING NO 554043
		SCALE 4:1	SHEET 1 OF 1

CUSTOMER DRAWING