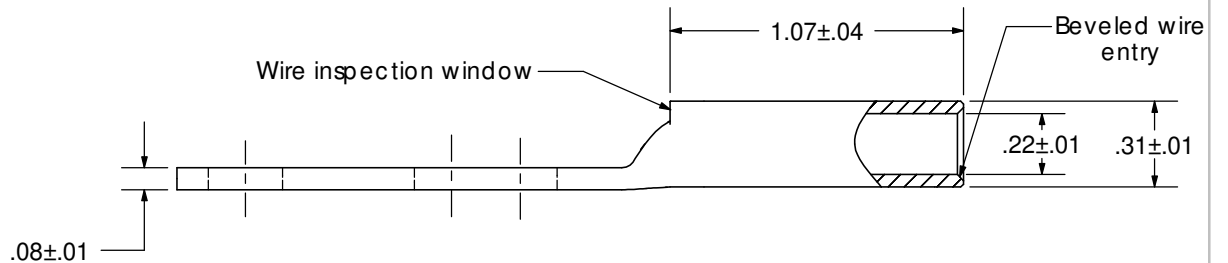
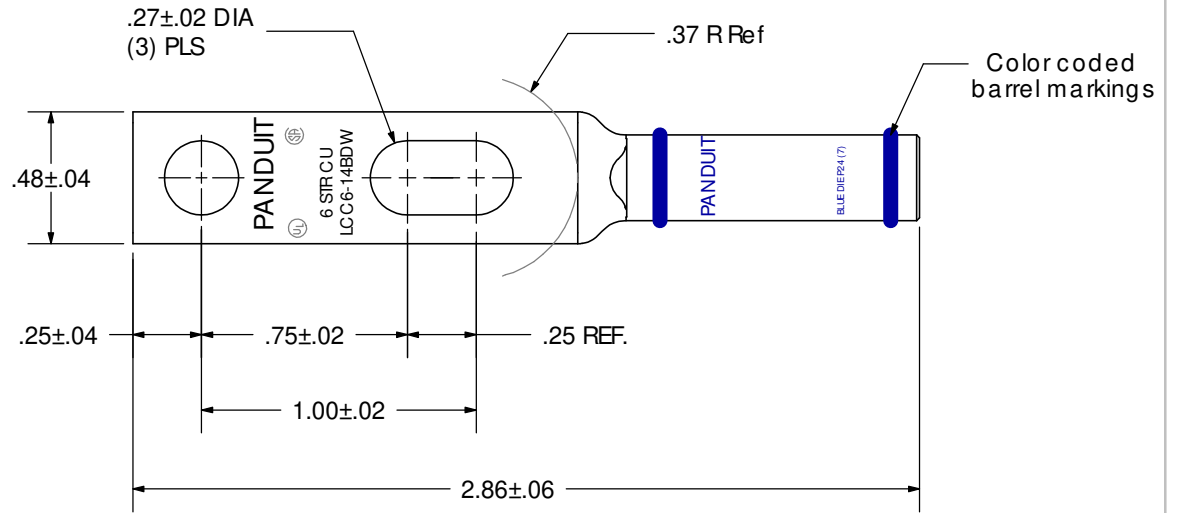


THIS COPY IS PROVIDED ON A RESTRICTED BASIS AND IS NOT TO BE USED IN ANY WAY DETRIMENTAL TO THE INTERESTS OF PANDUIT CORP.

Material	High Conductivity Seamless Copper Tube
Plating	Electro-Tin
Wire Size	6 AWG
Wire Type	Stranded Copper; Class B: Compact, Compressed or Concentric, Class C: Concentric
Wire Strip Length	1-1/8 in.
Stud Size	1/4 in.
UL Listed Wire Connector	Yes, for applications up to 35kv. Consult cable manufacturer for voltage stress relief instructions with applications greater than 2000 volts.
UL Temperature Rating	90° C
C.SA Certified Wire Connector	Yes
Panduit Color Code on Barrel	BLUE
Panduit Die Index No. on Barrel	P24
Alternate Industry Die Index No. ( ) on Barrel	(7)



**PANDUIT** CORP. TINLEY PARK, ILLINOIS

LCC6-14BDW-L  
Copper Lug - Sotted Two-Hole, Long Barrel with Window

00 1/05 JHNUCSH RELEASED 12394

REV	DATE	BY	CHK	DESCRIPTION	ECN	SCALE	DRAWING NO / CAD FILE
						N/A	LCC6-14BDW-CUST