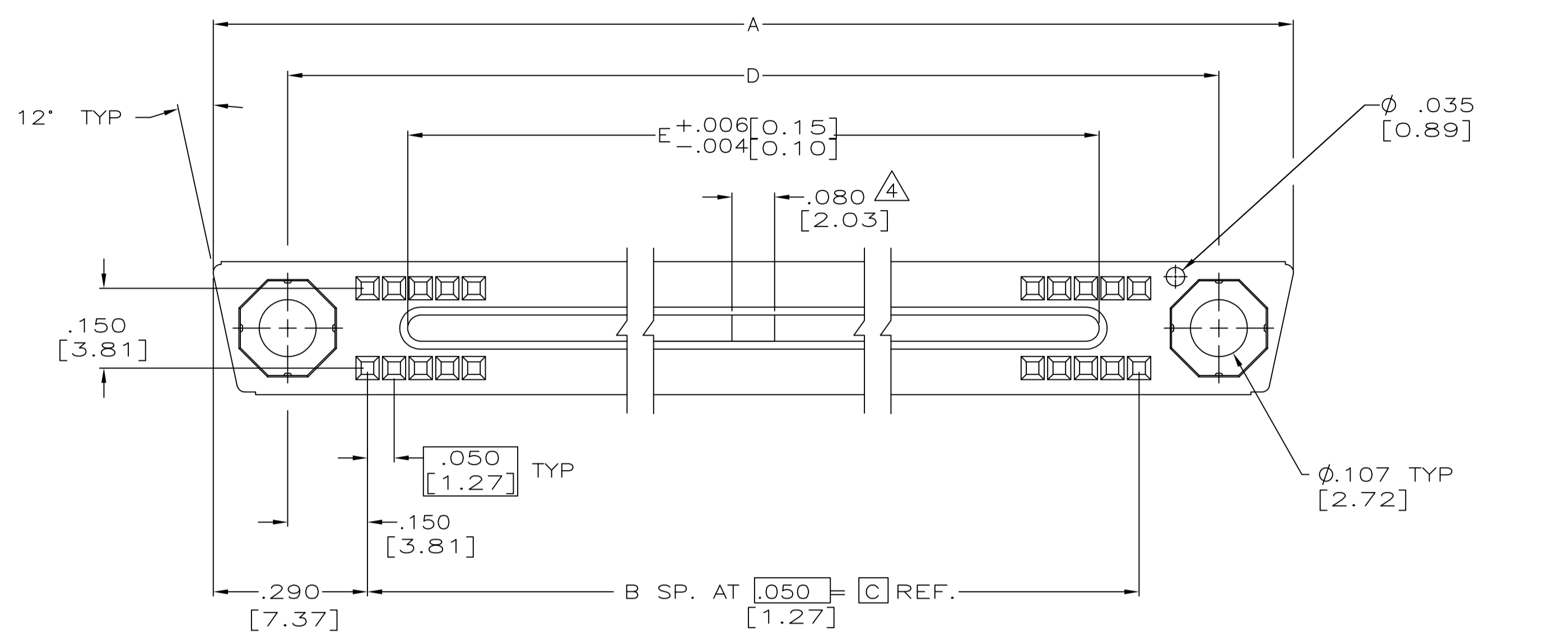
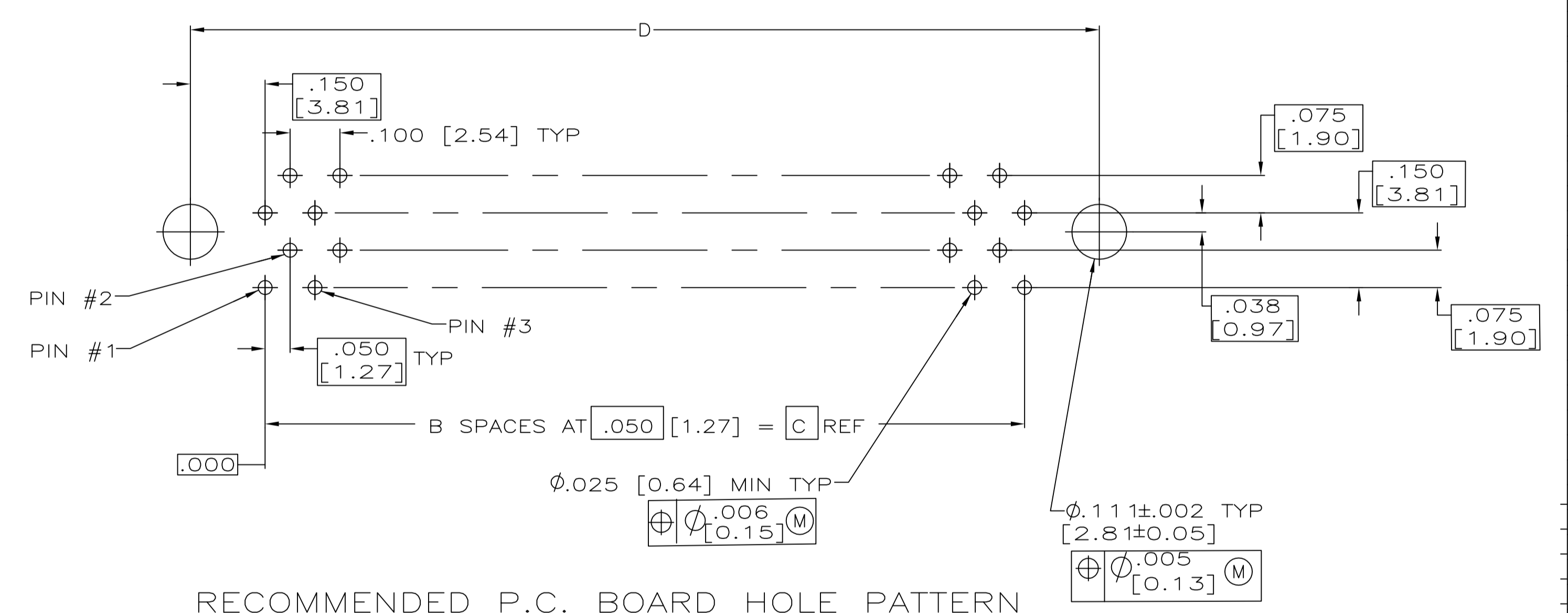
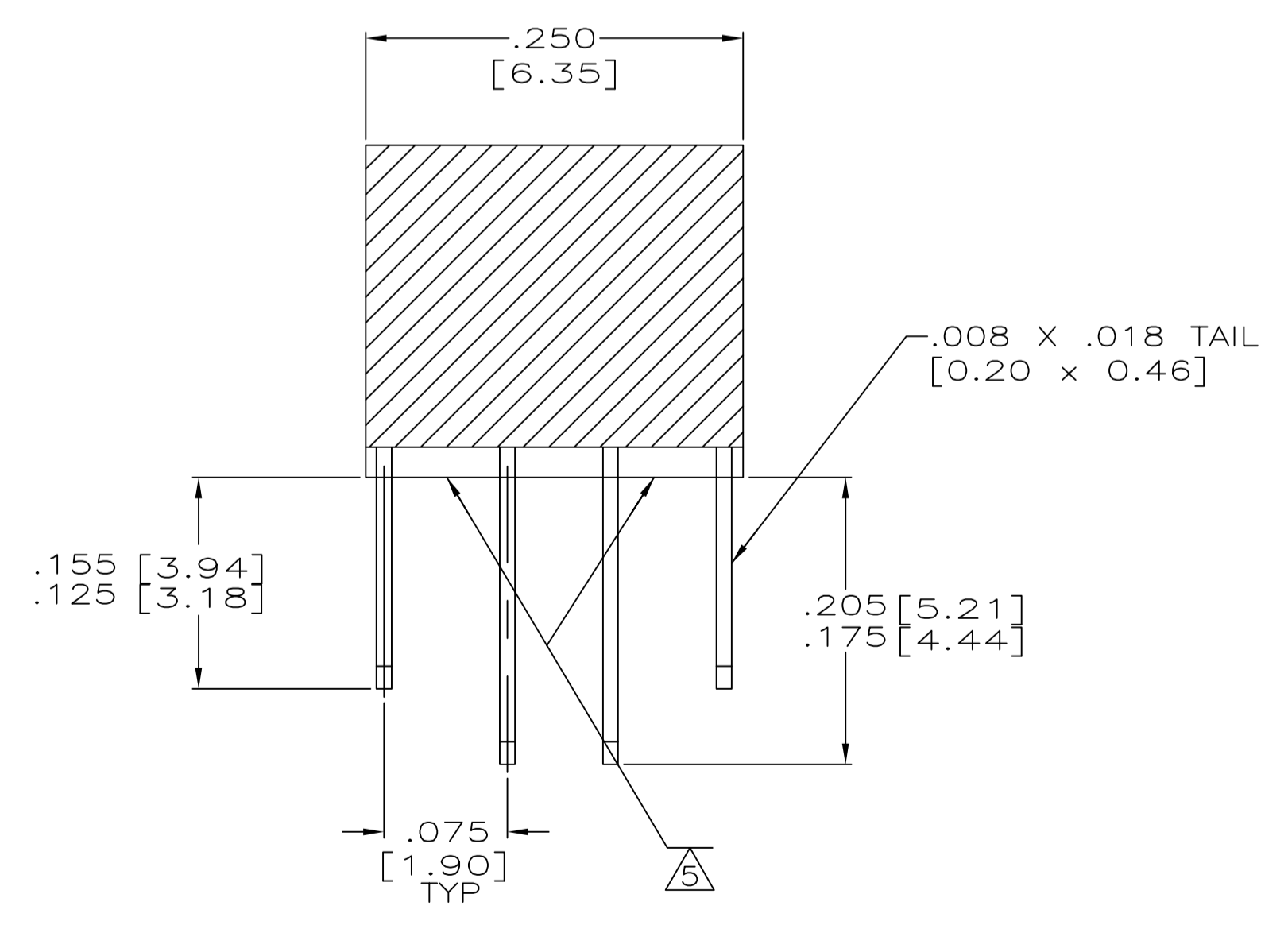
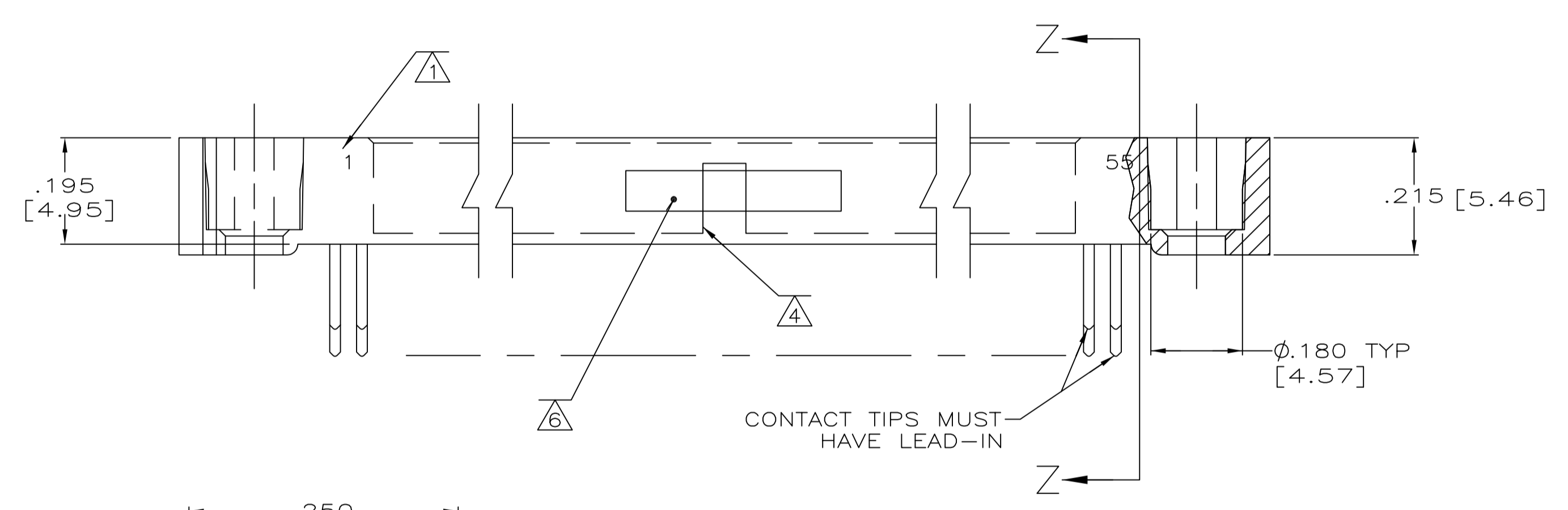


REVISIONS				
P	LTR	DESCRIPTION	DATE	APP'D
E		REVISED PER ECO-16-017894	26APR2017	PHM CT



- △ 1 NUMBERS INDICATING END POSITIONS MARKED THIS SIDE ONLY.
- 2. MEETS ALL APPLICABLE REQUIREMENTS OF MIL-C-55302.
- △ 3 HOUSING MATERIAL: LIQUID CRYSTAL POLYMER PER MIL-M-24519, GLCP-30F; COLOR: GRAY.
- △ 4 BRIDGE IN GROOVE N/A FOR 50 POSITION OR SMALLER CONNECTOR.
- △ 5 EPOXY IS ADDED TO BOTTOM OF HOUSING FOR SEALING & INCREASED CONTACT RETENTION.
- △ 6 AMP, AMP PART NO., CUSTOMER MARKING AND DATE CODE MARKED IN THIS APPROXIMATE AREA.



RECOMMENDED P.C. BOARD HOLE PATTERN (CONNECTOR SIDE)

△ 6	990430-6 07148	1 - 30	1.300 [33.02]	1.750 [44.45]	1.450 [36.83]	29	2.040 [51.82]	60	443935-6
△ 5	990430-4 07148	1 - 55	2.550 [64.77]	3.000 [76.20]	2.700 [68.58]	54	3.290 [83.57]	110	443935-5
△ 4	990430-5 07148	1 - 50	2.300 [58.42]	2.750 [69.85]	2.450 [62.23]	49	3.040 [77.22]	100	443935-4
△ 3	990430-1 07148	1 - 20	.800 [20.32]	1.250 [31.75]	.950 [24.13]	19	1.540 [39.12]	40	443935-3
△ 2	990430-3 07148	1 - 40	1.800 [45.72]	2.250 [57.15]	1.950 [49.53]	39	2.540 [64.52]	80	443935-2
△ 1	990430-2 07148	1 - 25	1.050 [26.67]	1.500 [38.10]	1.200 [30.48]	24	1.790 [45.47]	50	443935-1
REMARKS	CUSTOMER MARKING	CAVITY ID	DIM E	DIM D	DIM C	B	DIM A	POSN.	

SECTION Z-Z
SCALE 10:1

THIS DRAWING IS A CONTROLLED DOCUMENT. OWN: C.C. THOMAS 2-25-97, DWG: D.GUTTER 2-26-97, APVD: D.GUTTER 2-26-97, NAME: RECEPTACLE ASS'Y, MINI-BOX WITH LOW FORCE CONTACTS

STE TE Connectivity

SIZE: A1, CAGE CODE: 00779, DRAWING NO: 443935, SCALE: 5:1, SHEET: 1 OF 1, REV: E

MATERIAL: HOUSING: △, FINISH: 000050 GOLD IN CONTACT AREA, TIN-LEAD ON TAILS, WEIGHT: CUSTOMER DRAWING