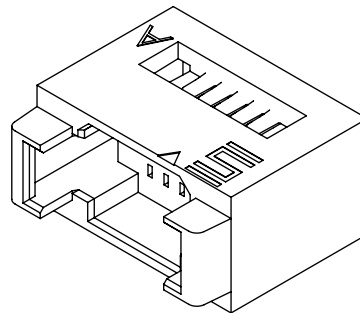
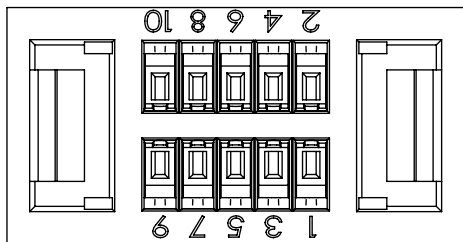


DO NOT  
SCALE FROM  
THIS PRINT

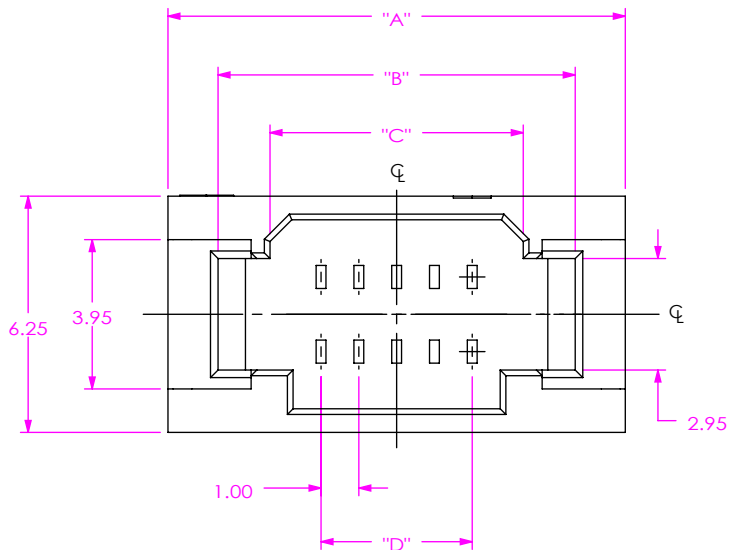
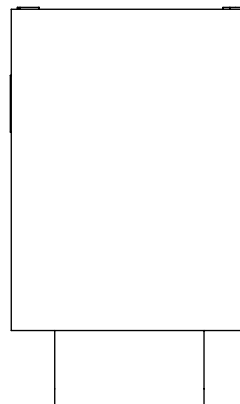
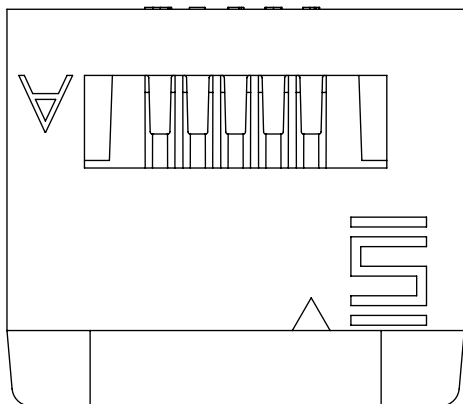


IDT1-XX

No OF POSITIONS

-02 THRU 10  
\*-11 THRU \*-20

\* = NOT TOOLED



**TABLE 1**

| No OF POS | "A"   | "B"   | "C"   | "D"   |
|-----------|-------|-------|-------|-------|
| -02       | 9.10  | 6.45  | 3.70  | 1.00  |
| -03       | 10.10 | 7.45  | 4.70  | 2.00  |
| -04       | 11.10 | 8.45  | 5.70  | 3.00  |
| -05       | 12.10 | 9.45  | 6.70  | 4.00  |
| -06       | 13.10 | 10.45 | 7.70  | 5.00  |
| -07       | 14.10 | 11.45 | 8.70  | 6.00  |
| -08       | 15.10 | 12.45 | 9.70  | 7.00  |
| -09       | 16.10 | 13.45 | 10.70 | 8.00  |
| -10       | 17.10 | 14.45 | 11.70 | 9.00  |
| *-11      | 18.10 | 15.45 | 12.70 | 10.00 |
| *-12      | 19.10 | 16.45 | 13.70 | 11.00 |
| *-13      | 20.10 | 17.45 | 14.70 | 12.00 |
| *-14      | 21.10 | 18.45 | 15.70 | 13.00 |
| *-15      | 22.10 | 19.45 | 16.70 | 14.00 |
| *-16      | 23.10 | 20.45 | 17.70 | 15.00 |
| *-17      | 24.10 | 21.45 | 18.70 | 16.00 |
| *-18      | 25.10 | 22.45 | 19.70 | 17.00 |
| *-19      | 26.10 | 23.45 | 20.70 | 18.00 |
| *-20      | 27.10 | 24.45 | 21.70 | 19.00 |

(\* = NOT TOOLED)

FIG 1  
IDT1-05 SHOWN

UNLESS OTHERWISE SPECIFIED,  
DIMENSIONS ARE IN MILLIMETERS.

**PROPRIETARY NOTE**  
THIS DOCUMENT CONTAINS CONFIDENTIAL AND PROPRIETARY INFORMATION AND ALL DESIGN, MANUFACTURING, REPRODUCTION, USE, PATENT RIGHTS AND SALES RIGHTS ARE EXPRESSLY RESERVED BY SAMTEC, INC. THIS DOCUMENT SHALL NOT BE DISCLOSED, IN WHOLE OR PART, TO ANY UNAUTHORIZED PERSON OR ENTITY NOR REPRODUCED, TRANSFERRED OR INCORPORATED IN ANY OTHER PROJECT IN ANY MANNER WITHOUT THE EXPRESS WRITTEN CONSENT OF SAMTEC, INC.



520 PARK EAST BLVD, NEW ALBANY, IN 47150  
PHONE: 812-944-6733 FAX: 812-948-5047  
e-Mail info@SAMTEC.com code 55322

MATERIAL: DO NOT SCALE DRAWING SHEET SCALE: 2:1  
NYLON 66  
COLOR: WHITE

DESCRIPTION:  
1.00 MM PITCH IDT1 BODY

DWG. NO.  
IDT1-XX

BY: JOE Z 03/01/2018 SHEET 1 OF 1

NOTES:

1. PARTS TO BE BULK PACKAGED.