

PERFECT Fix cable gland

K341-1xxx-zz

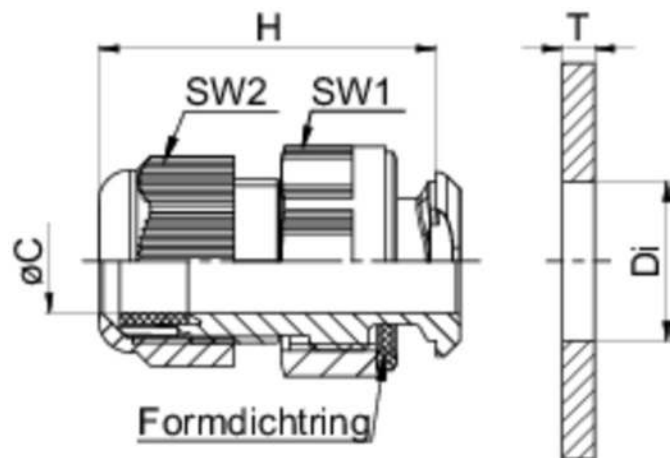
Dome nut	Polyamide PA6 V-2
Sealing ring	Polychloroprene-Nitrile rubber CR/NBR
Gland body	Polyamide PA6 V-2
Locknut	Polyamide PA6 GF30
Moulded sealing ring	Nitrile-Polytetrafluorethylene rubber NBR/PTFE



Properties

- quick and easy installation without special tools
- trouble-free mounting and dismantling from one side
- Locknut on the inner side dispensable
- advantageous for installation in areas with limited space
- Installation in clearance holes with dimensions according to EN 62444
- no inner thread required
- continuously adjustable in wall thickness from 1-4 mm
- integrated anchorage
- wide sealing and clamping range

Temperature range	-20 °C +100 °C
Protection grade	IP68 5 bar




Features



RAL 9005

for clearance holes


Size	Di	Wall / T	ØC	SW1	SW2	H	VPE	Part No.
M16	16,1 - 16,3	1 - 4	5 - 10	24	20	38,5	100	K341-1016-02
M20	20,1 -	1 - 4	8 - 13	26	24	42,5	100	K341-1020-02

Size	Di	Wall / T	ØC	SW1	SW2	H	 VPE	Part No.
	20,4							
M25	25,1 - 25,4	1 - 2,5	11 - 17	32	29	48	50	K341-1025-02
M32	32,1 - 32,4	1 - 4	15 - 21	42	36	58,5	25	K341-1032-02



RAL 7035


for clearance holes

Size	Di	Wall / T	ØC	SW1	SW2	H	 VPE	Part No.
M16	16,1 - 16,3	1 - 4	5 - 10	24	20	38,5	100	K341-1016-00
M20	20,1 - 20,4	1 - 4	8 - 13	26	24	42,5	100	K341-1020-00
M25	25,1 - 25,4	1 - 2,5	11 - 17	32	29	48	50	K341-1025-00
M32	32,1 - 32,4	1 - 4	15 - 21	42	36	58,5	25	K341-1032-00



RAL 7001

for clearance holes

Size	Di	Wall / T	ØC	SW1	SW2	H	 VPE	Part No.
M16	16,1 - 16,3	1 - 4	5 - 10	24	20	38,5	100	K341-1016-01
M20	20,1 - 20,4	1 - 4	8 - 13	26	24	42,5	100	K341-1020-01
M25	25,1 - 25,4	1 - 2,5	11 - 17	32	29	48	50	K341-1025-01
M32	32,1 - 32,4	1 - 4	15 - 21	42	36	58,5	25	K341-1032-01