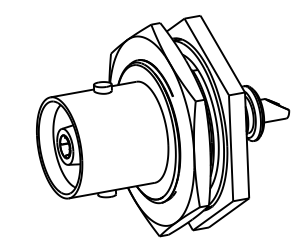
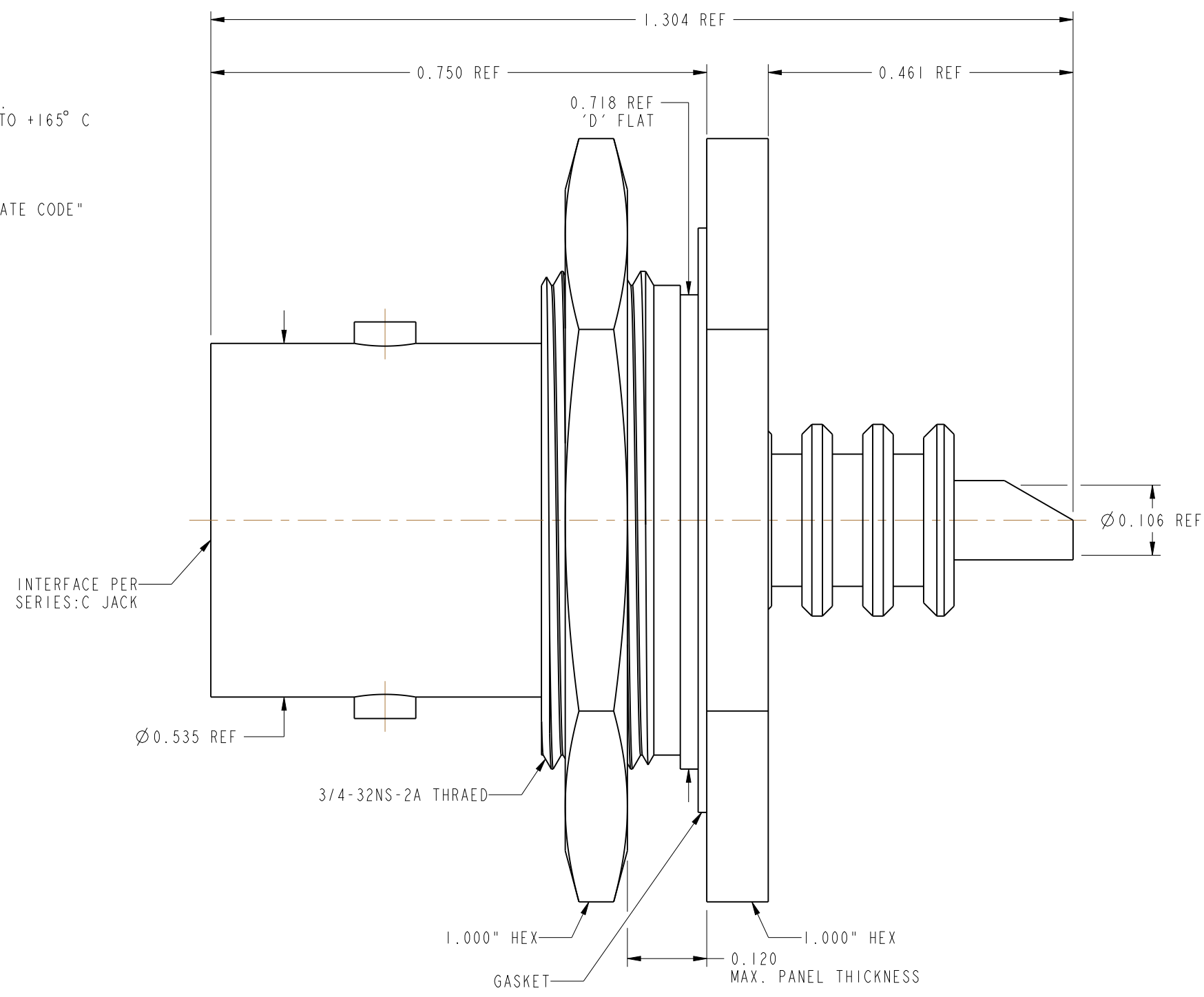


NOTES:

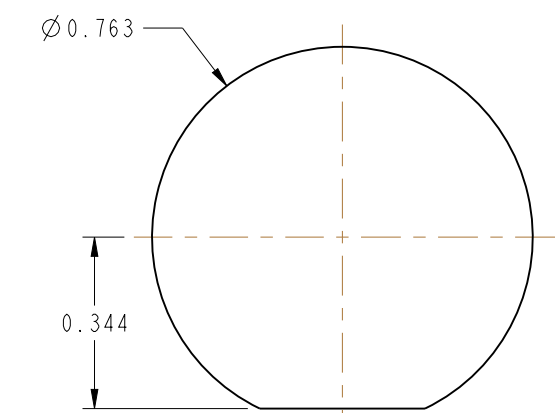
1. MATERIALS AND FINISHES:
 BODY, NUT-HEX & RING - BRASS, NICKEL PLATING
 CONTACT - BeCu, SILVER PLATING
 INSULATOR - PTFE, NATURAL
 GASKET - SILICONE RUBBER, RED
2. ELECTRICAL:
 A. IMPEDANCE: 50 OHM
3. MECHANICAL:
 A. DURABILITY: 500 CYCLES MIN.
 B. TEMPERATURE RANGE: -65° C TO +165° C
4. PACKAGING:
 A. QUANTITY: SINGLE PACK
 B. MARKING: BAG TO BE MARKED
 "AMPHENOL RF, 82-515, AND DATE CODE"

THIRD ANGLE PROJ. 

		REVISIONS		
REV	DESCRIPTION	DATE	ECO	APPR
--	RELEASE TO MFG.	--	--	
M	REDRAWN IN PRO-E & COD SHEET ADDED	9/3/15	50266	AAP



SCALE 1.000



RECOMMENDED MOUNTING HOLE DIMENSIONS

CUSTOMER OUTLINE DRAWING
 ALL OTHER SHEETS ARE FOR INTERNAL USE ONLY

UNLESS OTHERWISE SPECIFIED, DIMENSIONS ARE IN INCHES AND TOLERANCES ARE: 2 PLACE DECIMAL 3 PLACE DECIMAL ANGLES ±.015 (0.381 mm) ±.005 (0.127 mm) ± 1°	MATERIAL	DRAWN	DATE	TITLE C STR JACK HIGH VOLTAGE RECEPTACLE UG-634/U		Amphenol RF www.amphenolrf.com	
	SEE NOTES	A ARUN PRABU	07-Nov-14				
	REFERENCE	ENGINEER	DATE	SCALE: 5.0:1.0 SHEET 2 OF 2		DRAWING NO.82-515 ITEM NO.82-515	
	U.S. NAVY REQ-10593 CONFIGURATION LEVEL: In Work	D.ROYCE	07-Feb-92				
NOTICE - These drawings, specifications, or other data (1) are, and remain the property of Amphenol corp. (2) must be returned upon request; and (3) are confidential and not to be disclosed to any person other than those to whom they are given by Amphenol Corp. the furnishing of these drawings, specifications, or other data by Amphenol Corp., or to any other person to anyone for any purpose is not to be regarded by implication or otherwise in any manner licensing, granting rights to permitting such holder or any other person to manufacture, use or sell any product, process or design, patented or otherwise, that may in any way be related to or disclosed by said drawings, specifications, or other data.	FINISH	APPROVED	DATE	DWG SIZE	REV	PART NO.82-515	
		K. CAPOZZI	7/23/15	B	M		