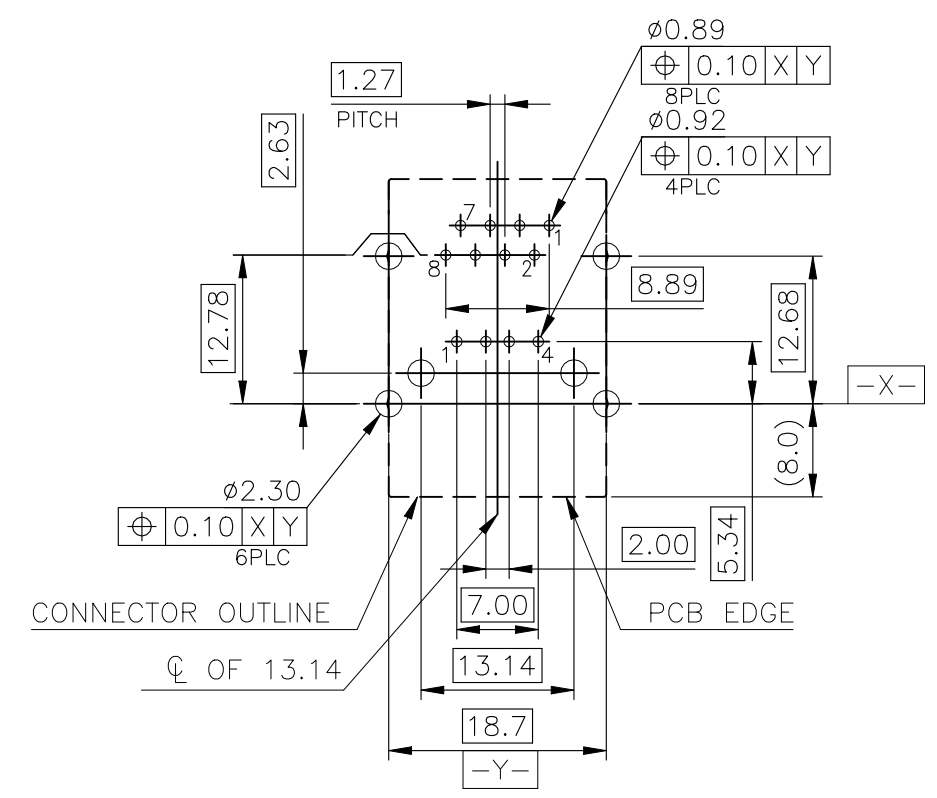
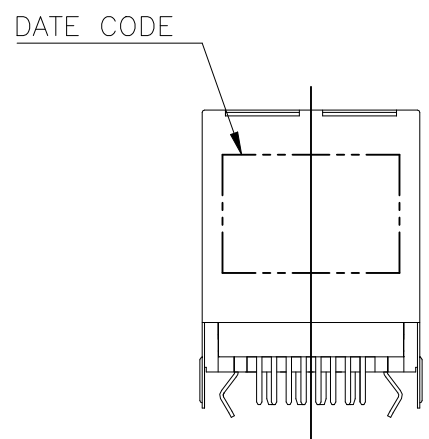
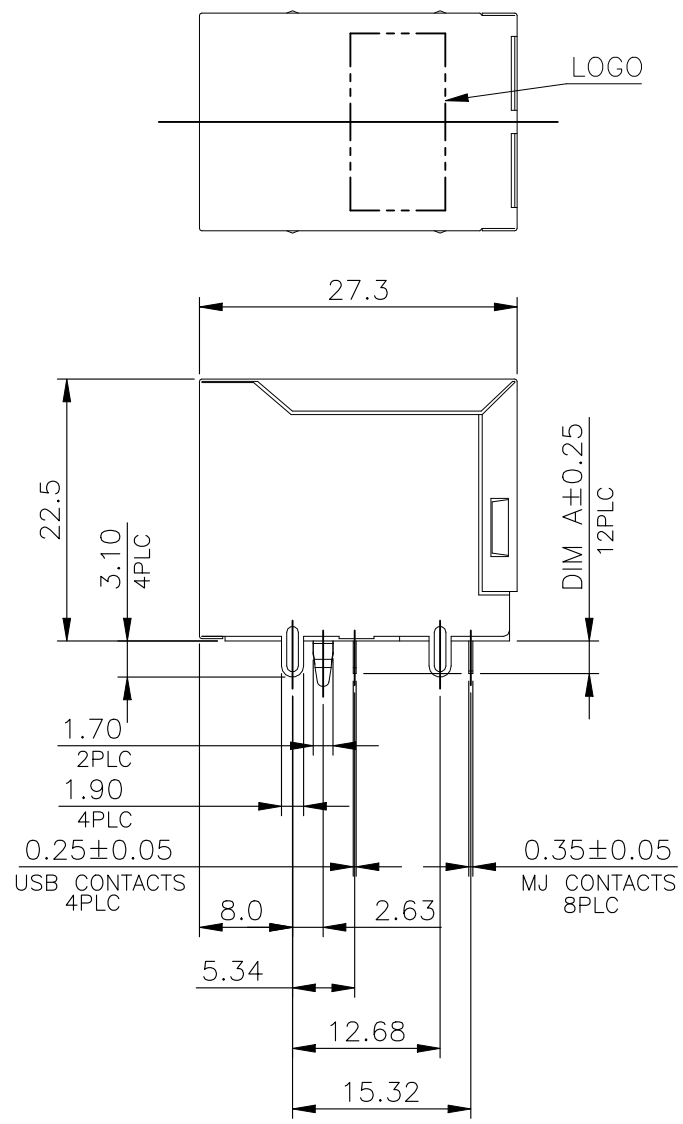
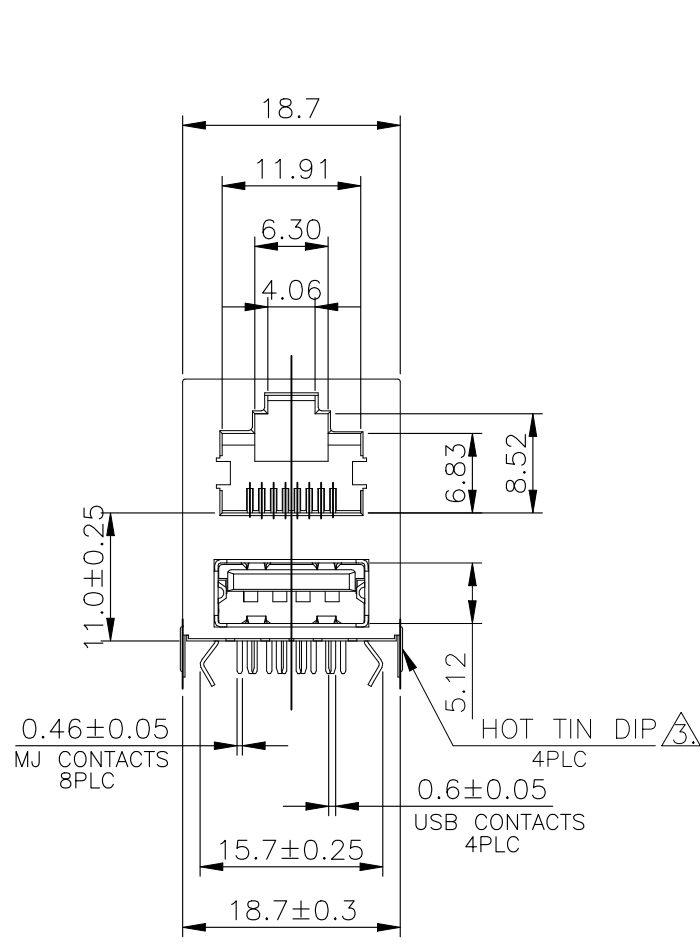


THIS DRAWING IS UNPUBLISHED. RELEASED FOR PUBLICATION  
 © COPYRIGHT - TE Connectivity Ltd. ALL RIGHTS RESERVED.

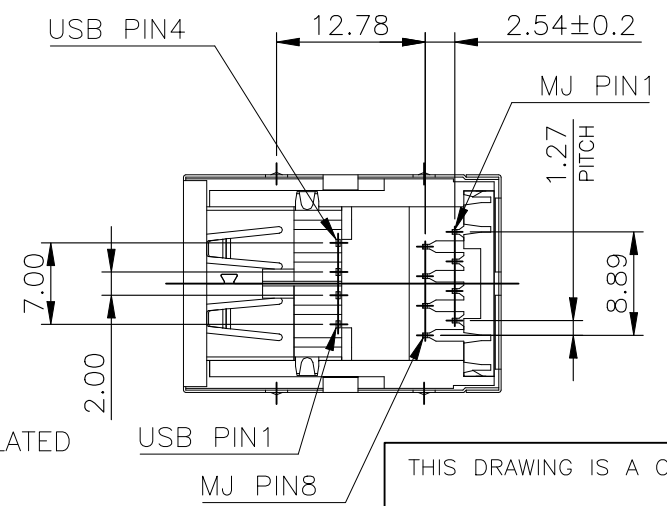
P	LTR	DESCRIPTION	DATE	DWN	APVD
E1		REVISED AS PER ECN-23-225288	28JUL2023	JK	WH



RECOMMENDED PCB LAYOUT  
 RECOMMENDED PCB THICKNESS: 1.6mm  
 TOLERANCE: ±0.05 (TOP VIEW)

NOTE:

- MATERIAL:
    - MJ HOUSING: PBT, WITH 30% GF, UL94 V-0, COLOR: SEE TABLE.
    - MJ CONTACTS: PHOSPHOR BRONZE.
    - MJ SHIELD: BRASS.
    - USB HOUSING: PBT, UL94 V-0, COLOR: SEE TABLE.
    - USB CONTACTS: BRASS.
    - USB SHIELD: SPCC.
  - FINISH:
    - MJ CONTACTS: SELECTIVE GOLD PLATED (SEE TABLE) ON CONTACT AREA, GOLD FLASH ON SOLDER TAILS, 1.27um [50u"] MIN. NICKEL UNDERPLATED OVERALL.
    - MJ SHIELD: 0.508um [20u"] MIN. NICKEL PLATED.
    - USB CONTACT: SELECTIVE GOLD PLATED (SEE TABLE) ON CONTACT AREA, 2.54um [100u"] MIN. BRIGHT-TIN PLATED ON SOLDER TAILS, 1.27um [50u"] MIN. NICKEL UNDERPLATED OVERALL.
    - USB SHIELD: 2.032um [80u"] MIN. NICKEL PLATED.
- △ HOT TIN DIP ON SHELL'S LEGS.  
 4. WAVE SOLDER CAPABLE TO 265°C PER TE CONNECTIVITY SPEC. 109-202, CONDITION B.  
 5. RJ45 CAVITY CONFIRMS TO FCC RULES AND REGULATIONS PART 68, SUBPART F.

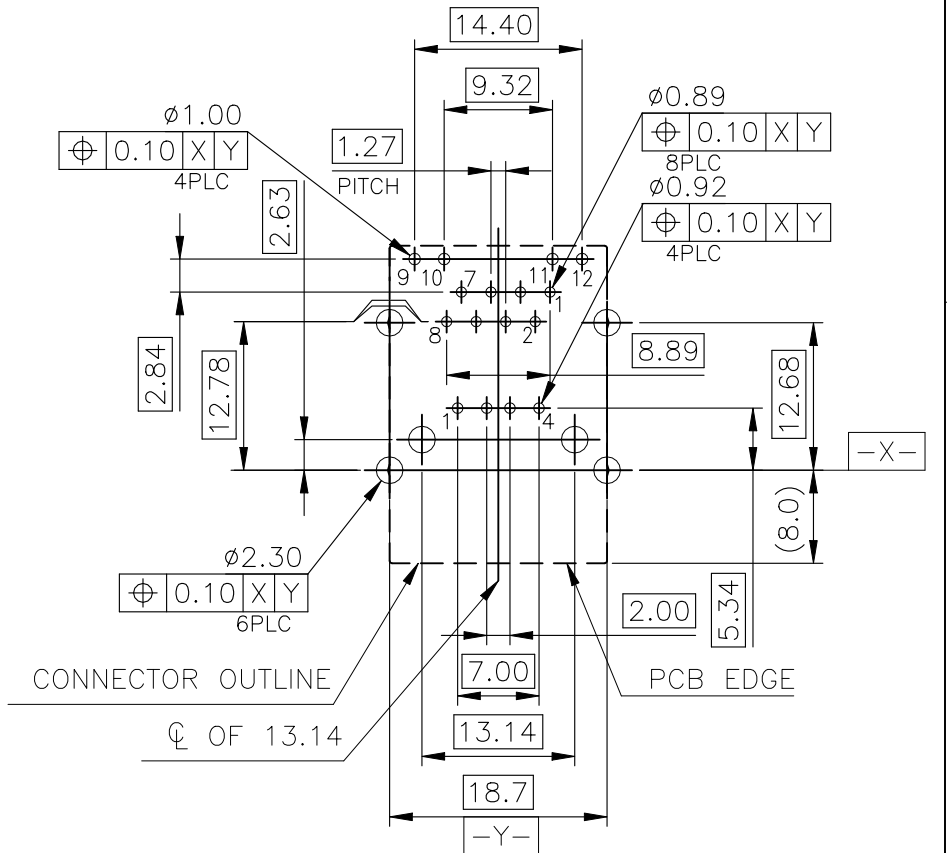
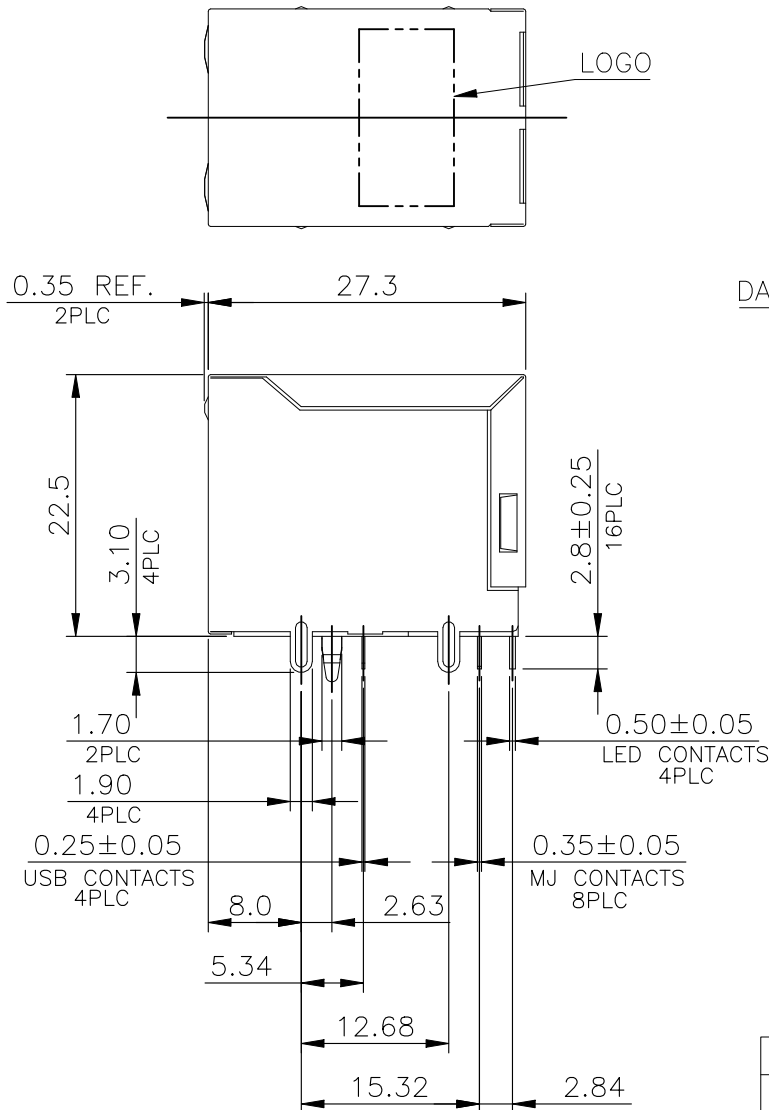
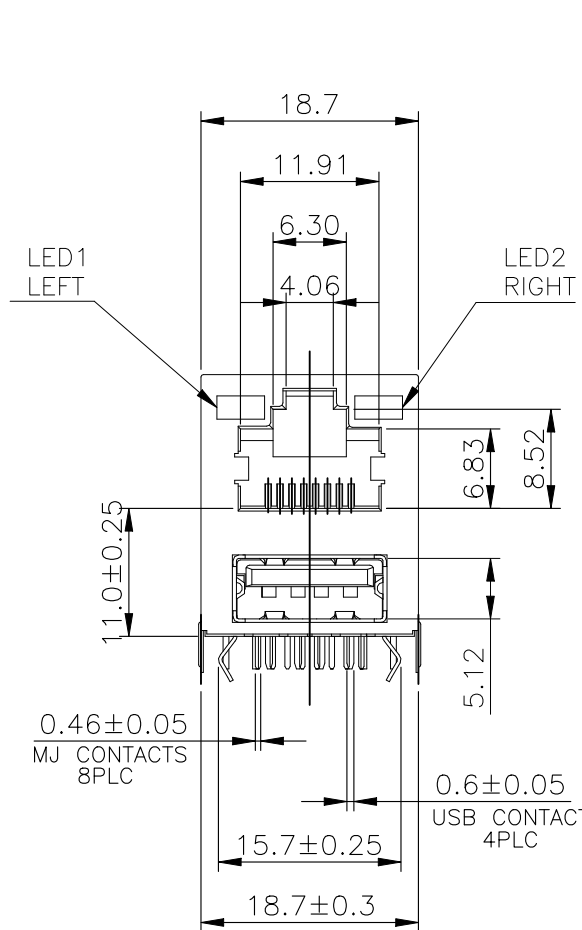


OBSOLETE	WITHOUT HTD	2.8	BLACK	0.762um [30u"]	3-1775855-1
			COOL GRAY 1C	GOLD FLASH	2-1775855-2
			BLACK	GOLD FLASH	2-1775855-1
	WITH HTD	2.6	BLACK	GOLD FLASH	1775855-3
		2.8	GOOL GRAY 1C	GOLD FLASH	1775855-2
			BLACK	GOLD FLASH	1775855-1
WEIGHT (gram)	HOT TIN DIP ON SHELL'S LEGS	DIM A	HOUSING COLOR	MIN. GOLD THICKNESS	PART NUMBER

THIS DRAWING IS A CONTROLLED DOCUMENT.

DWN B. HSING 12JUN2009	TE Connectivity Ltd. MODULAR JACK, RJ45, STACKED OVER, USB CONN., DIP TYPE			
CHK S. CHIEN 12JUN2009				
APVD W. KODAMA 12JUN2009				
NAME				
PRODUCT SPEC 108-57802	SIZE	CAGE CODE	DRAWING NO	RESTRICTED TO
APPLICATION SPEC	A3	00779	C-1775855	
MATERIAL SEE TABEL	WEIGHT -	CUSTOMER DRAWING		SCALE 1:1
DIMENSIONS: mm TOLERANCES UNLESS OTHERWISE SPECIFIED: 0 PLC ± - 1 PLC ± 0.3 2 PLC ± 0.2 3 PLC ± 0.15 4 PLC ± - ANGLES ± 3° FINISH -		SHEET 1 OF 5 REV E1		

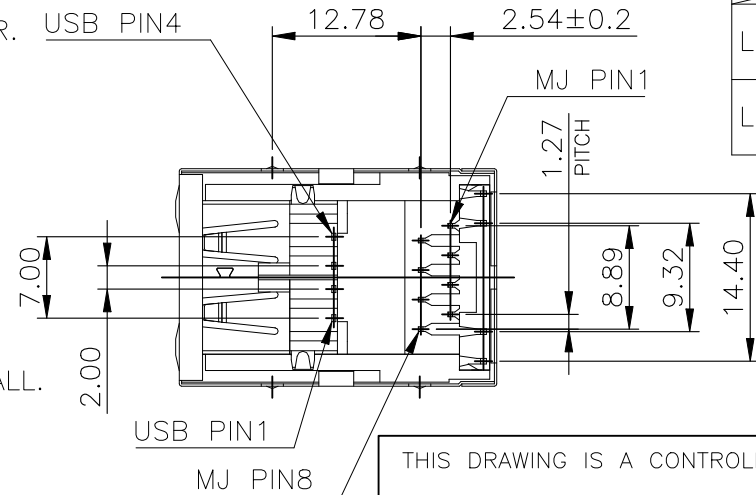
REVISIONS					
P	LTR	DESCRIPTION	DATE	DWN	APVD
-	-	SEE SHEET 1	-	-	-



RECOMMENDED PCB LAYOUT  
 RECOMMENDED PCB THICKNESS: 1.6mm  
 TOLERANCE: ±0.05 (TOP VIEW)

NOTE:

- MATERIAL:
  - MJ HOUSING & LED COVER: PBT, WITH 30% GF, UL94V-0, BLACK COLOR.
  - MJ CONTACTS: PHOSPHOR BRONZE.
  - MJ SHIELD: BRASS.
  - LED SOLDER TAIL: EPOXY, STEEL.
  - USB HOUSING: PBT, UL94V-0, BLACK COLOR.
  - USB CONTACTS: BRASS.
  - USB SHIELD: SPCC.
- FINISH:
  - MJ CONTACTS: GOLD FLASH PLATED ON CONTACT AREA, GOLD FLASH ON SOLDER TAILS, 1.27um [50u"] MIN. NICKEL UNDERPLATED OVERALL.
  - MJ SHIELD: 0.508um [20u"] MIN. NICKEL PLATED.
  - LED SOLDER TAIL:
    - 1.02um [40u"] COPPER UNDERPLATED OVERALL.
    - 1.27um [50u"] NICKEL OVERALL.
    - 1.27um [50u"] SILVER ON BONDING AREA.
    - 2.54um [100u"] BRIGHT-TIN ON SOLDER AREA.
  - USB CONTACT: GOLD FLASH PLATED ON CONTACT AREA, 2.54um [100u"] MIN. BRIGHT-TIN PLATED ON SOLDER TAILS, 1.27um [50u"] MIN. NICKEL UNDERPLATED OVERALL.
  - USB SHIELD: 2.032um [80u"] MIN. NICKEL PLATED.
- WAVE SOLDER CAPABLE TO 265°C PER TE CONNECTIVITY SPEC. 109-202, CONDITION B.



FOR 4-1775855-1			
LED ELECTRICAL CHARACTERISTIC			
	NODE	COLOR	
LED LEFT	9(+)	10(-)	ORANGE
	9(-)	10(+)	GREEN
LED RIGHT	11(+)	12(-)	ORANGE
	11(-)	12(+)	GREEN

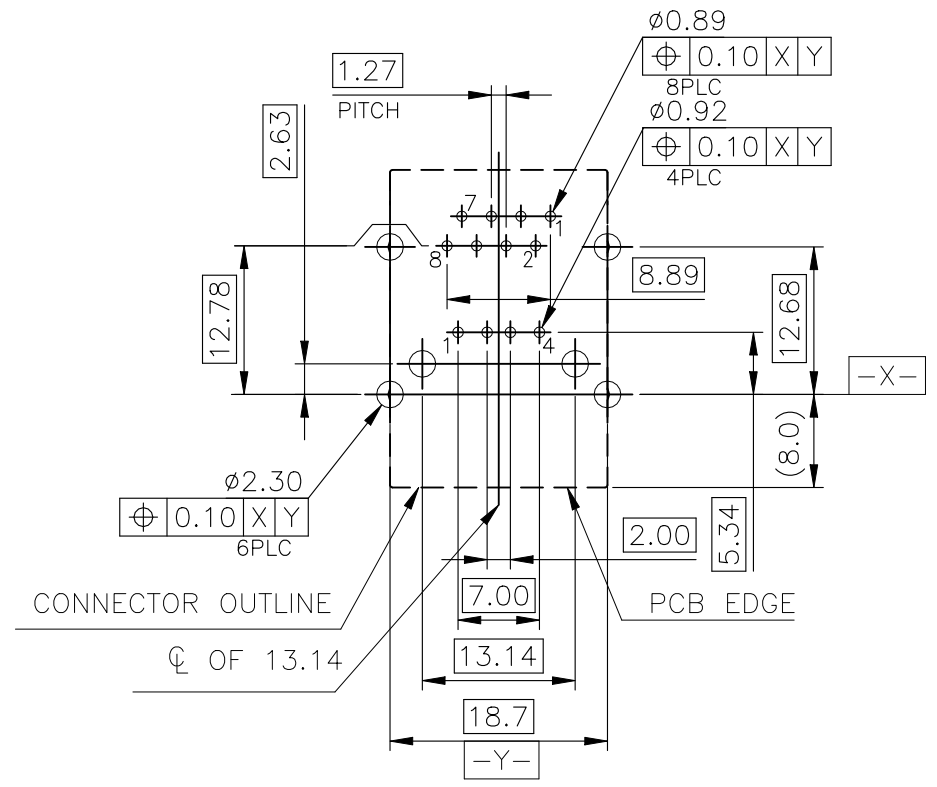
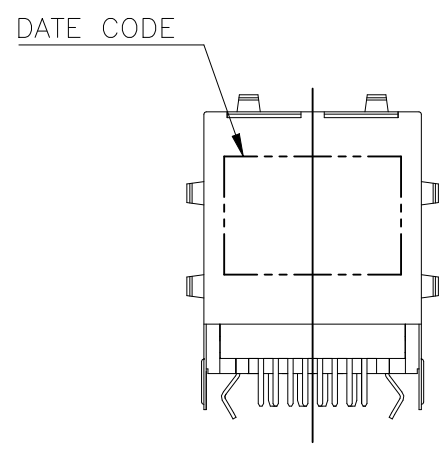
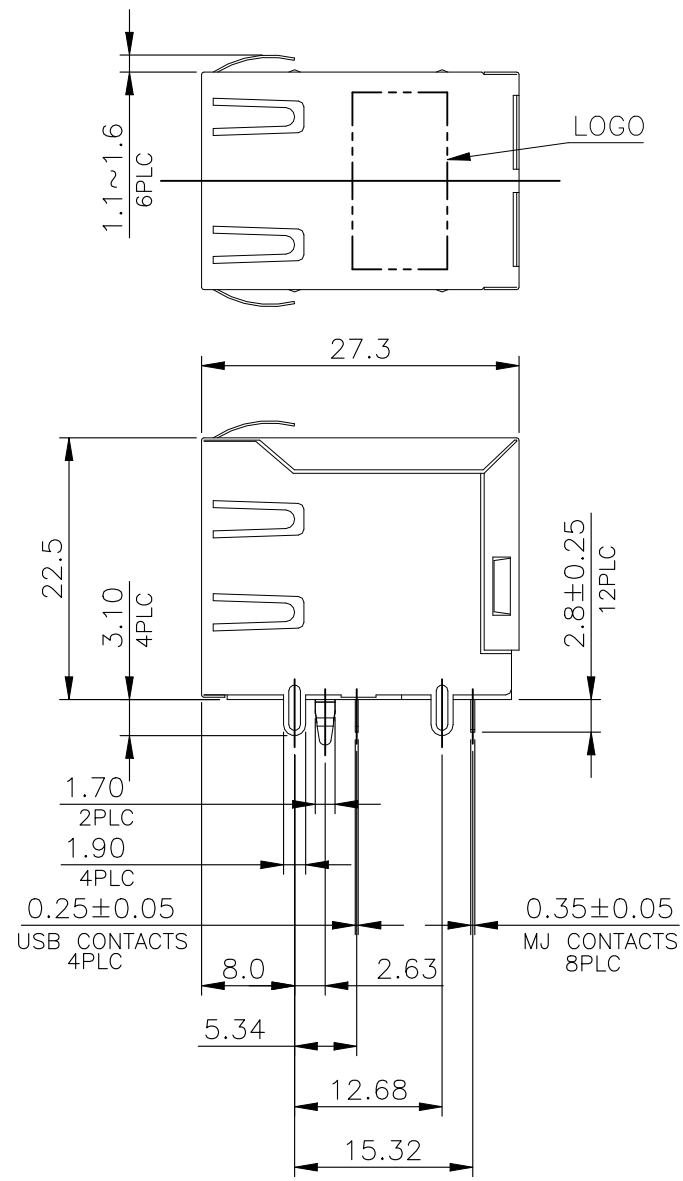
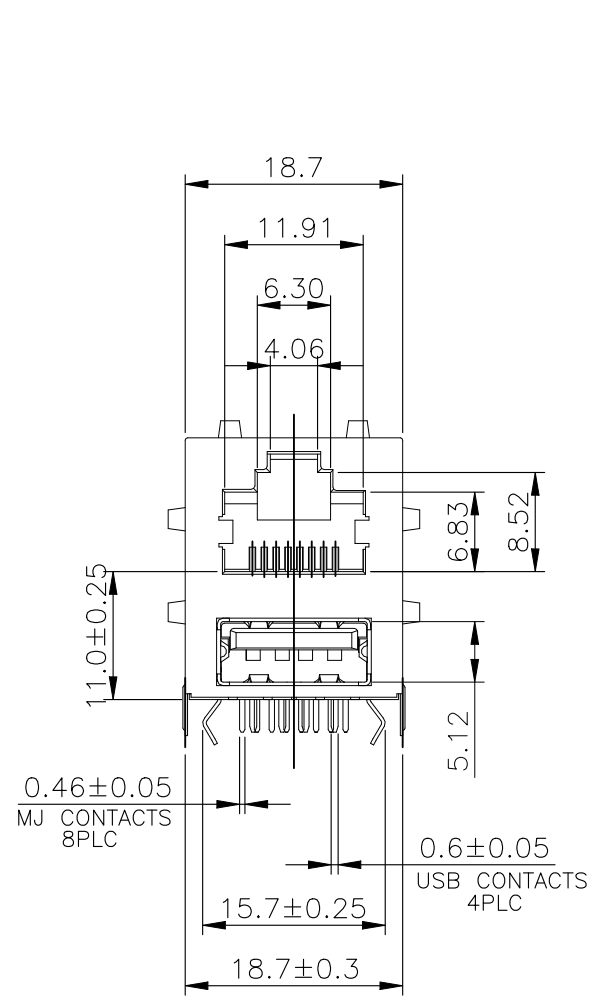
FOR 4-1775855-2			
LED ELECTRICAL CHARACTERISTIC			
	NODE	COLOR	
LED LEFT	9(+)	10(-)	GREEN
	9(-)	10(+)	ORANGE
LED RIGHT	11(+)	12(-)	GREEN
	11(-)	12(+)	ORANGE

13.11	GREEN/ORANGE	GREEN	4-1775855-2
	ORANGE/GREEN	ORANGE/GREEN	4-1775855-1
WEIGHT (gram)	LEFT	RIGHT	PART NUMBER
	LED COLORS		

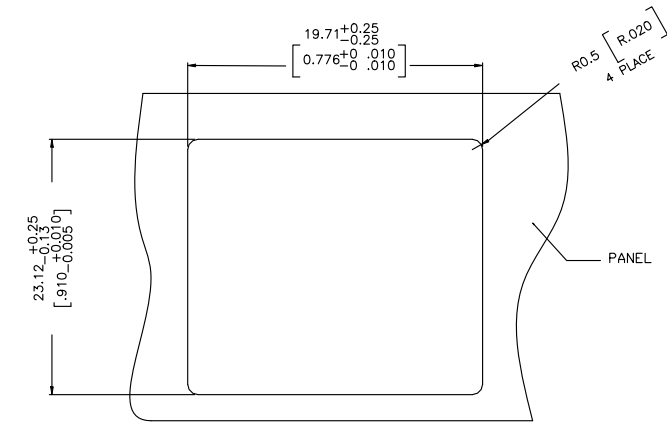
THIS DRAWING IS A CONTROLLED DOCUMENT.		DWN B. HSING 12JUN2009	TE Connectivity Ltd.		
		CHK S. CHIEN 12JUN2009			
		APVD W. KODAMA 12JUN2009	NAME		
DIMENSIONS: mm		108-57802		MODULAR JACK, RJ45, STACKED OVER, USB CONN., DIP TYPE	
TOLERANCES UNLESS OTHERWISE SPECIFIED:		APPLICATION SPEC		RESTRICTED TO	
0 PLC ± -		-		-	
1 PLC ± 0.3		-		-	
2 PLC ± 0.2		-		-	
3 PLC ± 0.15		-		-	
4 PLC ± -		-		-	
ANGLES ± 3°		-		-	
MATERIAL SEE TABLE		WEIGHT -		-	
		FINISH -		-	
		CUSTOMER DRAWING		SCALE 1:1 SHEET 2 OF 5 REV E1	

THIS DRAWING IS UNPUBLISHED. RELEASED FOR PUBLICATION  
 © COPYRIGHT - TE Connectivity Ltd. ALL RIGHTS RESERVED.

P	LTR	DESCRIPTION	DATE	DWN	APVD
-	-	SEE SHEET 1	-	-	-



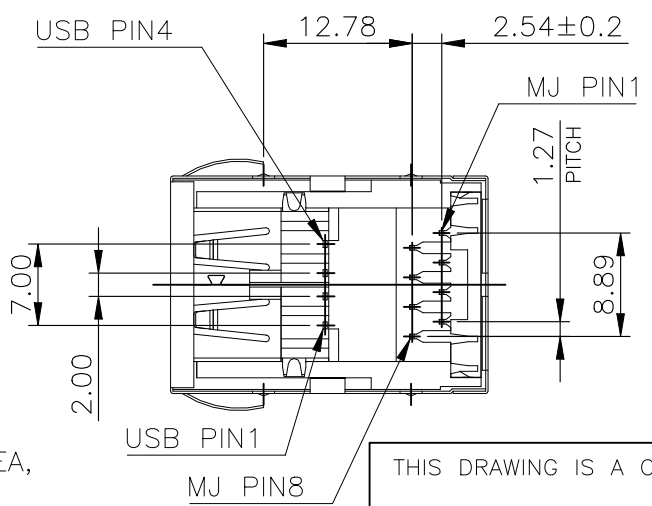
RECOMMENDED PCB LAYOUT  
 RECOMMENDED PCB THICKNESS: 1.6mm  
 TOLERANCE: ±0.05 (TOP VIEW)



RECOMMENDED PANEL CUTOUT DIMENSIONS  
 ONLY FOR WITH PANEL GROUNDS PART NUMBER

12.69	5-1775855-1
WEIGHT (gram)	PART NUMBER

- NOTE:
- MATERIAL:
    - MJ HOUSING: PBT, WITH 30% GF, UL94V-0, COLOR: SEE TABLE.
    - MJ CONTACTS: PHOSPHOR BRONZE.
    - MJ SHIELD: BRASS.
    - USB HOUSING: PBT, UL94V-0, COLOR: SEE TABLE.
    - USB CONTACTS: BRASS.
    - USB SHIELD: SPCC.
  - FINISH:
    - MJ CONTACTS: GOLD FLASH PLATED ON CONTACT AREA, GOLD FLASH ON SOLDER TAILS, 1.27um [50u"] MIN. NICKEL UNDERPLATED OVERALL.
    - MJ SHIELD: 0.508um [20u"] MIN. NICKEL PLATED.
    - USB CONTACT: GOLD FLASH PLATED ON CONTACT AREA, 2.54um [100u"] MIN. BRIGHT-TIN PLATED ON SOLDER TAILS, 1.27um [50u"] MIN. NICKEL UNDERPLATED OVERALL.
    - USB SHIELD: 2.032um [80u"] MIN. NICKEL PLATED.
  - WAVE SOLDER CAPABLE TO 265°C PER TE CONNECTIVITY SPEC. 109-202, CONDITION B.



THIS DRAWING IS A CONTROLLED DOCUMENT.

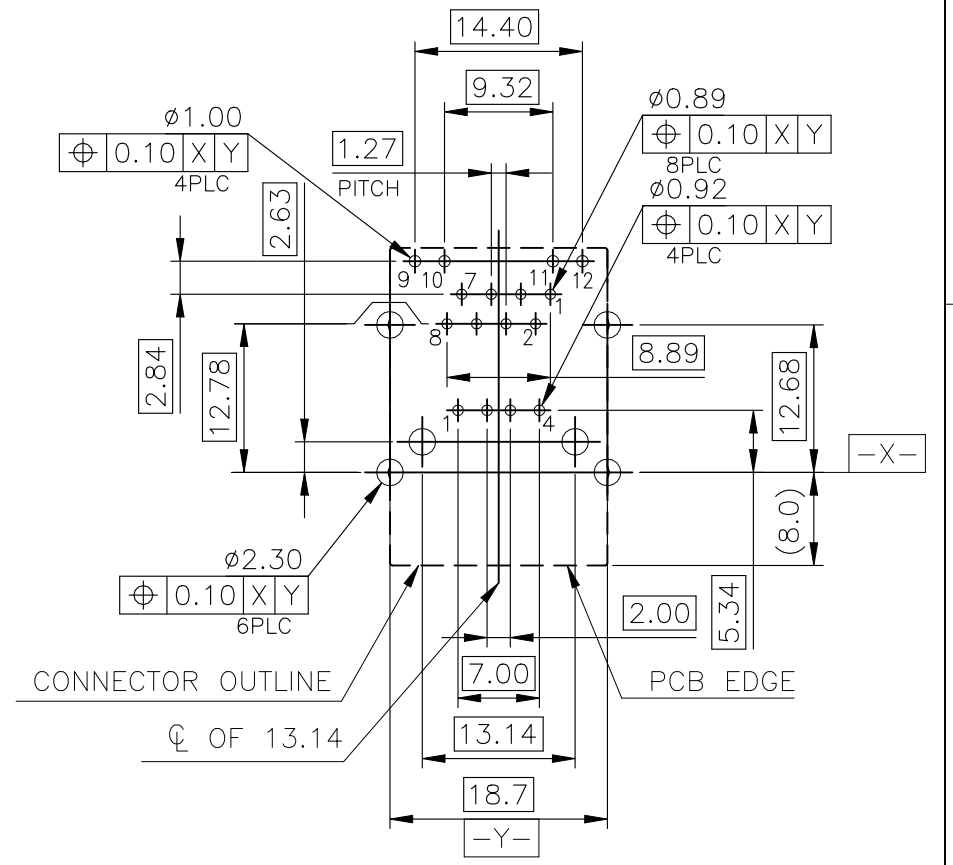
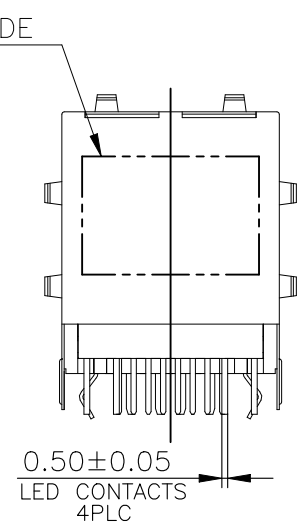
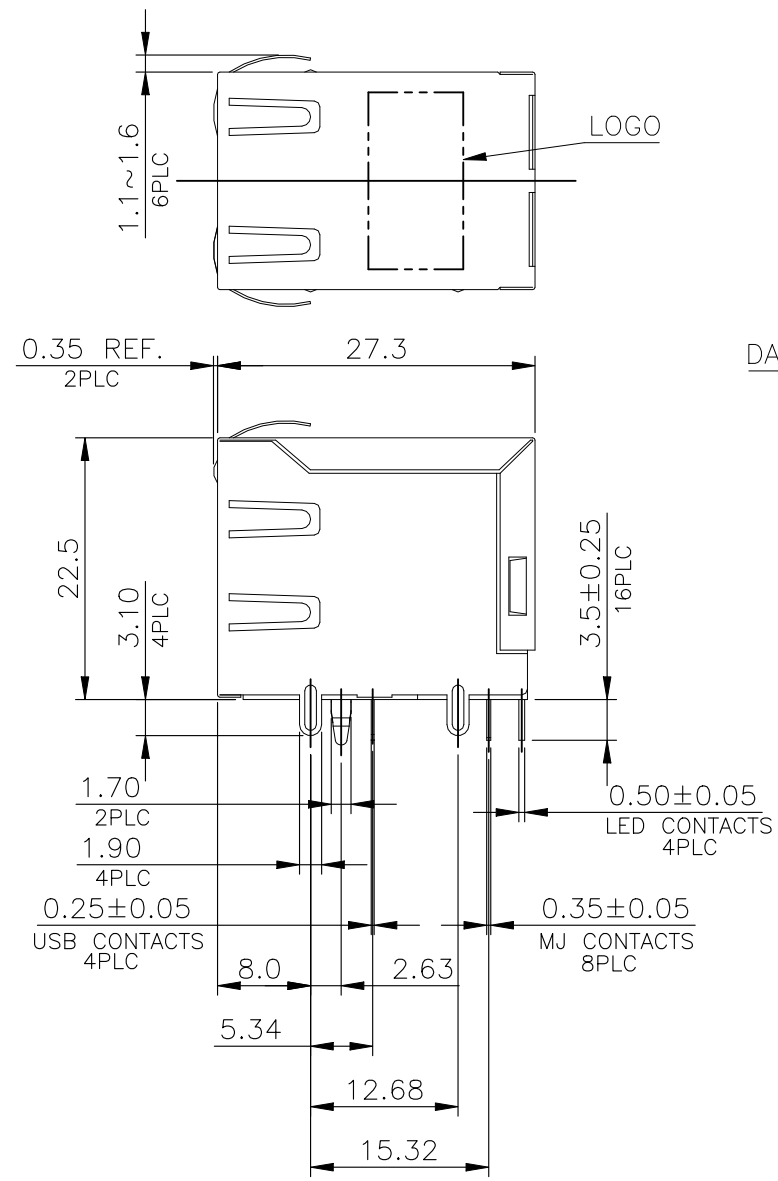
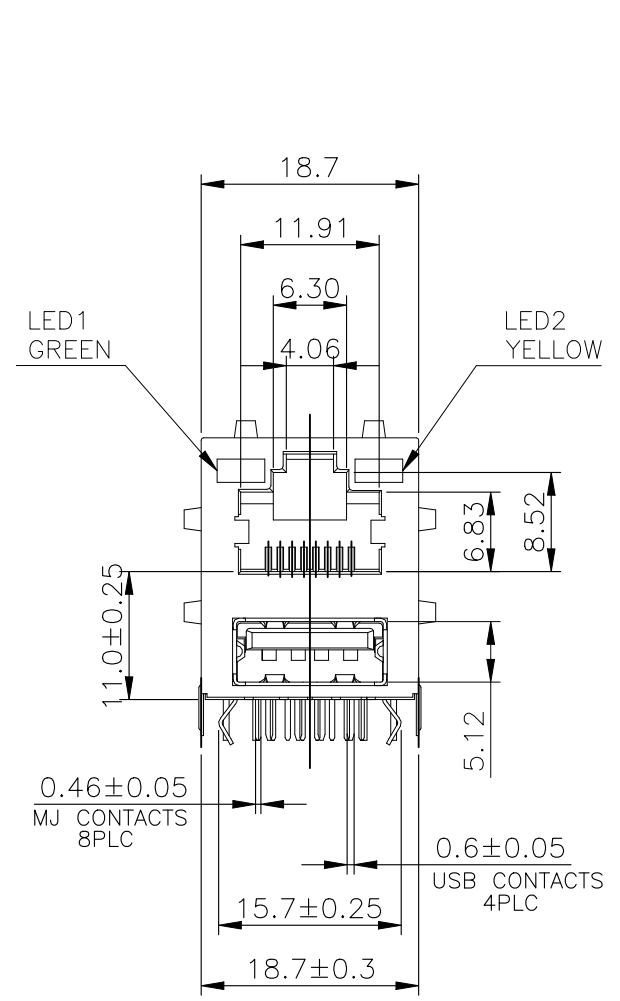
DIMENSIONS:	TOLERANCES UNLESS OTHERWISE SPECIFIED:
mm	
	0 PLC ± -
	1 PLC ± 0.3
	2 PLC ± 0.2
	3 PLC ± 0.15
	4 PLC ± -
	ANGLES ± 3°
MATERIAL	FINISH
SEE TABEL	-

DWN	B. HSING	12JUN2009
CHK	S. CHIEN	12JUN2009
APVD	W. KODAMA	12JUN2009
PRODUCT SPEC	108-57802	
APPLICATION SPEC	-	
WEIGHT	-	

<b>STE</b> TE Connectivity Ltd.			
MODULAR JACK, RJ45, STACKED OVER, USB CONN., DIP TYPE			
SIZE	CAGE CODE	DRAWING NO	RESTRICTED TO
A3	00779	C-1775855	-
CUSTOMER DRAWING		SCALE	SHEET
		1:1	3 OF 5
		REV	E1

THIS DRAWING IS UNPUBLISHED. RELEASED FOR PUBLICATION  
 © COPYRIGHT - TE Connectivity Ltd. ALL RIGHTS RESERVED.

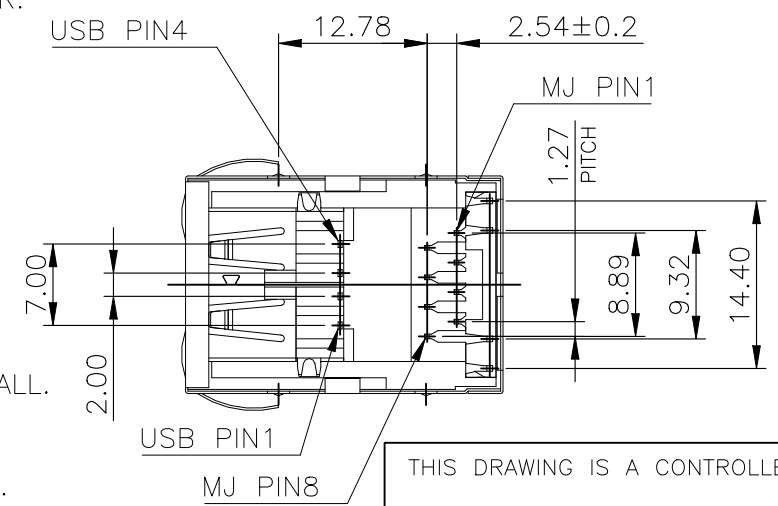
P	LTR	DESCRIPTION	DATE	DWN	APVD
-	-	SEE SHEET 1	-	-	-



RECOMMENDED PCB LAYOUT  
 RECOMMENDED PCB THICKNESS: 1.6mm  
 TOLERANCE: ±0.05 (TOP VIEW)

NOTE:

- MATERIAL:
  - MJ HOUSING & LED COVER: PBT, WITH 30% GF, UL94V-0, BLACK COLOR.
  - MJ CONTACTS: PHOSPHOR BRONZE.
  - MJ SHIELD: BRASS.
  - LED SOLDER TAIL: EPOXY, STEEL.
  - USB HOUSING: PBT, UL94V-0, BLACK COLOR.
  - USB CONTACTS: BRASS.
  - USB SHIELD: SPCC.
- FINISH:
  - MJ CONTACTS: SELECTIVE GOLD PLATED (SEE TABLE) ON CONTACT AREA, GOLD FLASH ON SOLDER TAILS, 1.27um [50u"] MIN. NICKEL UNDERPLATED OVERALL.
  - MJ SHIELD: 0.508um [20u"] MIN. NICKEL PLATED.
  - LED SOLDER TAIL:
    - 1.02um [40u"] COPPER UNDERPLATED OVERALL.
    - 1.27um [50u"] NICKEL OVERALL.
    - 1.27um [50u"] SILVER ON BONDING AREA.
    - 2.54um [100u"] BRIGHT-TIN ON SOLDER AREA.
  - USB CONTACT: SELECTIVE GOLD PLATED (SEE TABLE) ON CONTACT AREA, 2.54um [100u"] MIN. BRIGHT-TIN PLATED ON SOLDER TAILS, 1.27um [50u"] MIN. NICKEL UNDERPLATED OVERALL.
  - USB SHIELD: 2.032um [80u"] MIN. NICKEL PLATED.
- WAVE SOLDER CAPABLE TO 265°C PER TE CONNECTIVITY SPEC. 109-202, CONDITION B.



LED ELECTRICAL CHARACTERISTIC			
NO.	NODE	COLOR	
LED1	9(+)	10(-)	GREEN 9-10
LED2	11(+)	12(-)	YELLOW 11-12

OBSOLETE	12.90	0.762um [30u"]	6-1775855-3
		GOLD FLASH	<del>6-1775855-1</del>
	WEIGHT (gram)	MIN. GOLD THICKNESS	PART NUMBER

THIS DRAWING IS A CONTROLLED DOCUMENT.

DIMENSIONS: mm	TOLERANCES UNLESS OTHERWISE SPECIFIED:	DWN B. HSING 12JUN2009	TE Connectivity Ltd. MODULAR JACK, RJ45, STACKED OVER, USB CONN., DIP TYPE
	0 PLC ± -	CHK S. CHIEN 12JUN2009	
	1 PLC ± 0.3	APVD W. KODAMA 12JUN2009	
	2 PLC ± 0.2	NAME	
	3 PLC ± 0.15	PRODUCT SPEC	108-57802
	4 PLC ± -	APPLICATION SPEC	
	ANGLES ± 3°		SIZE CAGE CODE DRAWING NO RESTRICTED TO
MATERIAL SEE TABEL	FINISH -	WEIGHT -	A3 00779 C-1775855
		CUSTOMER DRAWING	SCALE 1:1 SHEET 4 OF 5 REV E1

THIS DRAWING IS UNPUBLISHED.

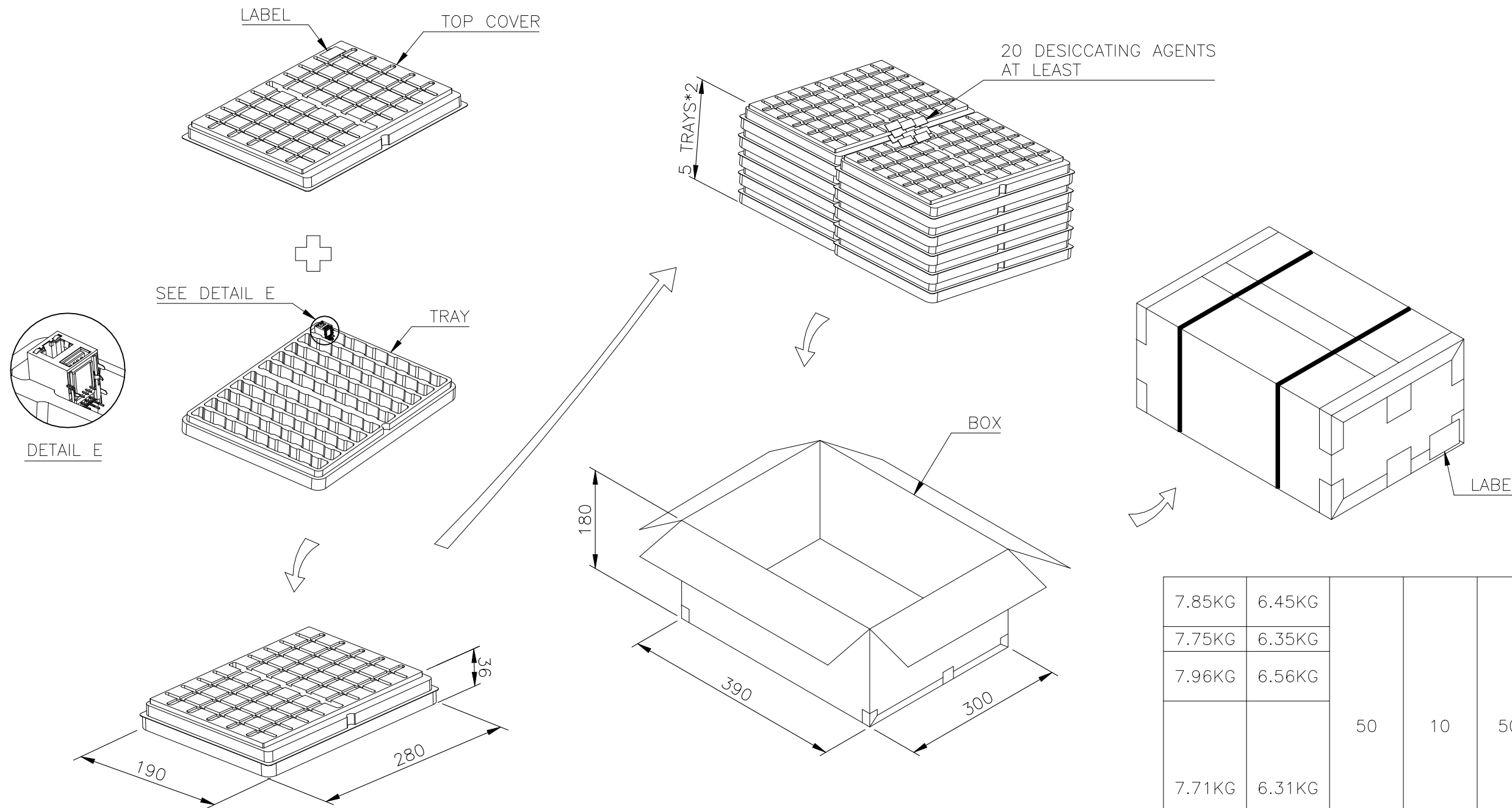
RELEASED FOR PUBLICATION

REVISIONS

© COPYRIGHT - TE Connectivity Ltd.

ALL RIGHTS RESERVED.

P	LTR	DESCRIPTION	DATE	DWN	APVD
-	-	SEE SHEET 1	-	-	-



7.85KG	6.45KG				6-1775855-3
					<del>6-1775855-1</del>
7.75KG	6.35KG				5-1775855-1
					4-1775855-2
7.96KG	6.56KG				4-1775855-1
					<del>3-1775855-1</del>
					<del>2-1775855-2</del>
					<del>2-1775855-1</del>
7.71KG	6.31KG	50	10	500	1-1775855-1
					1775855-3
					1775855-2
					1775855-1
GROSS WEIGHT	NET WEIGHT	PCS/TRAY	TRAY/BOX	PCS/BOX	PART NUMBER

NOTES:

- MATERIAL:  
TRAY: PVC.  
BOX: CORRUGATED FIBER.
- DIMENSION: SEE DRAWING
- QUANTITY: SEE TABLE
- WEIGHT: SEE TABLE

THIS DRAWING IS A CONTROLLED DOCUMENT.		DWN B. HSING 12JUN2009	<b>STE</b> TE Connectivity Ltd.		
DIMENSIONS: mm		CHK S. CHIEN 12JUN2009			
TOLERANCES UNLESS OTHERWISE SPECIFIED:		APVD W. KODAMA 12JUN2009	NAME MODULAR JACK, RJ45, STACKED OVER, USB CONN., DIP TYPE		
0 PLC ± - 1 PLC ± 0.3 2 PLC ± 0.2 3 PLC ± 0.15 4 PLC ± - ANGLES ± 3°		PRODUCT SPEC 108-57802	-		
MATERIAL SEE TABLE		FINISH -	APPLICATION SPEC -	SIZE A3	CAGE CODE 00779
		RESTRICTED TO -	DRAWING NO C-1775855	SCALE 1:1	SHEET 5 OF 5
		CUSTOMER DRAWING	WEIGHT -	REV E1	