

1

2

3

4

5

6

A

B

C

D

E

F

A

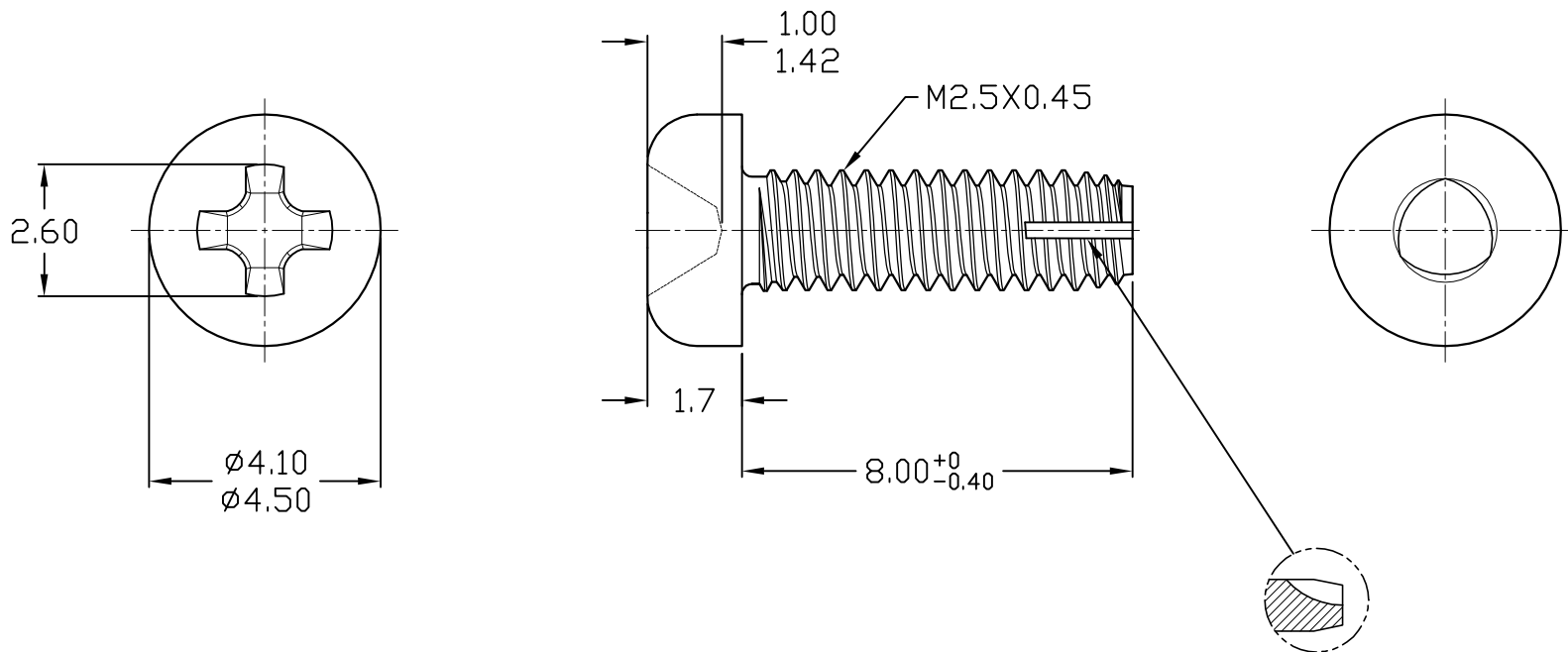
B

C

D

E

F



52500005-732	BLACK FINISH
52500005-731	NICKEL PLATE
P/N	FINISH

1.MATERIAL: CARBON STEEL C1018A.

UNLESS OTHERWISE SPECIFIED TOLERANCE TO BE		THIS DOCUMENT IS THE PROPERTY OF AMPHENOL AUSTRALIA PTY. LTD.. NO PART THEREOF MAY BE REPRODUCED AND USED WITHOUT THE PRIOR WRITTEN CONSENT OF THE OWNER				0	FIRST ISSUE	A.O	02/05/08	----
LINEAR	ANGULAR					REV.	CHANGE DETAILS	BY	DATE	CHG/No
X ± 0.50	X' ± 1"	CAD FILE: 52500005731110				DRN:	A.O	DATE: 02/05/08	TITLE: SCREW M2.5	
X.X ± 0.20	X'X' ± 30'	MATERIAL: REFER TO NOTE				CKD:	T.N	DATE: 02/05/08	B SERIES CONNECTOR	
X.XX ± 0.05	X'X'X' ± 15'	DO NOT SCALE				FINISH:	REFER TO TABLE	APP'D:	P.M	DATE: 02/05/08
BREAK ALL SHARP EDGES AND REMOVE ALL BURRS		THIRD ANGLE PROJECTION				SCALE: 1:1	UOS	PART No: 52500005-73*	SIZE: A4	52500005-731-1
DIMENSIONS IN MILLIMETRES								DRAWING NO. SHEET		1 OF 1

