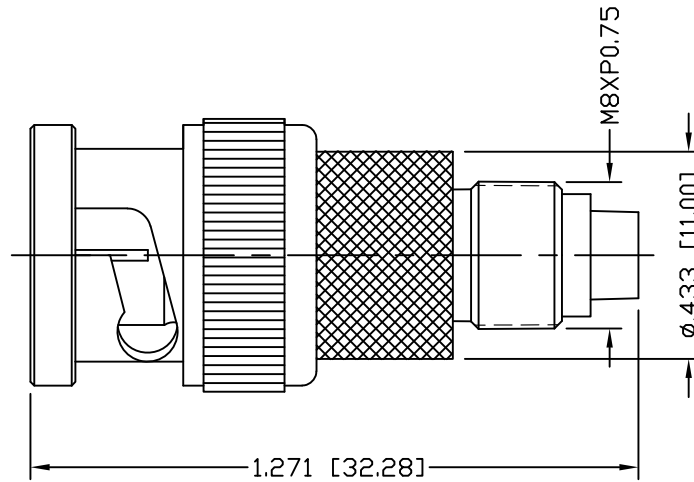


PART NO.		<b>RFE-6151</b>		
REV	DESCRIPTION	DWN	DATE	APPROVED
-	ENGINEERING RELEASE	CZ	11/21/21	JDMc



**SPECIFICATIONS:**

IMPEDANCE: 50 Ohms  
 FREQUENCY RANGE: 0-2 GHz  
 WORKING VOLTAGE: 335 Vrms  
 INSULATION RESISTANCE: 5K MΩ MIN.  
 TEMPERATURE RANGE: -65°C TO +85°C

#	DESCRIPTION	QTY	MATERIAL	FINISH
8	COUPLING NUT	1	BRASS	NICKEL
7	WASHER	1	BRASS	NICKEL
6	GASKET	1	RUBBER	RED
5	SPRING	1	SK5	NICKEL
4	RETAINING RING	1	BRASS	NICKEL
3	CONTACT	1	BRASS	GOLD
2	INSULATOR	1	PTFE	NATURAL
1	BODY	1	BRASS	NICKEL

CUSTOMER OUTLINE DRAWING	
ALL DIMENSIONS ARE REFERENCE ONLY	
UNLESS OTHERWISE SPECIFIED: DIMENSIONS ARE IN INCHES AND [MILLIMETERS]	
DRAWN C. ZUÑIGA	11/21/21
CHECKED	
ORJ DRAWN C. ZUÑIGA	11/21/21

**RoHS COMPLIANT**

PROPRIETARY AND CONFIDENTIAL

THIS DRAWING CONTAINS INFORMATION PROPRIETARY TO RF INDUSTRIES, ANY UNAUTHORIZED USE OF THIS DRAWING IS EXPRESSLY PROHIBITED WITHOUT WRITTEN PERMISSION FROM RF INDUSTRIES. ANY VIOLATION IS PUNISHABLE UNDER U.S. COPYRIGHT LAWS.

<b>RFconnectors</b>		RFINDUSTRIES.COM 7610 MIRAMAR RD. SAN DIEGO, CA 92126 (858) 549-6340	
DIVISION OF RF INDUSTRIES, LTD.		(858) 549-6345 FAX	
<b>BNC PLUG TO FME JACK ADAPTER</b>			
DWG #		<b>RFE-6151</b>	
CABLE GROUP N/A	CONTROL # 000000	SCALE NTS	FORMAT A
SHEET 1 OF 1	REVISION -		