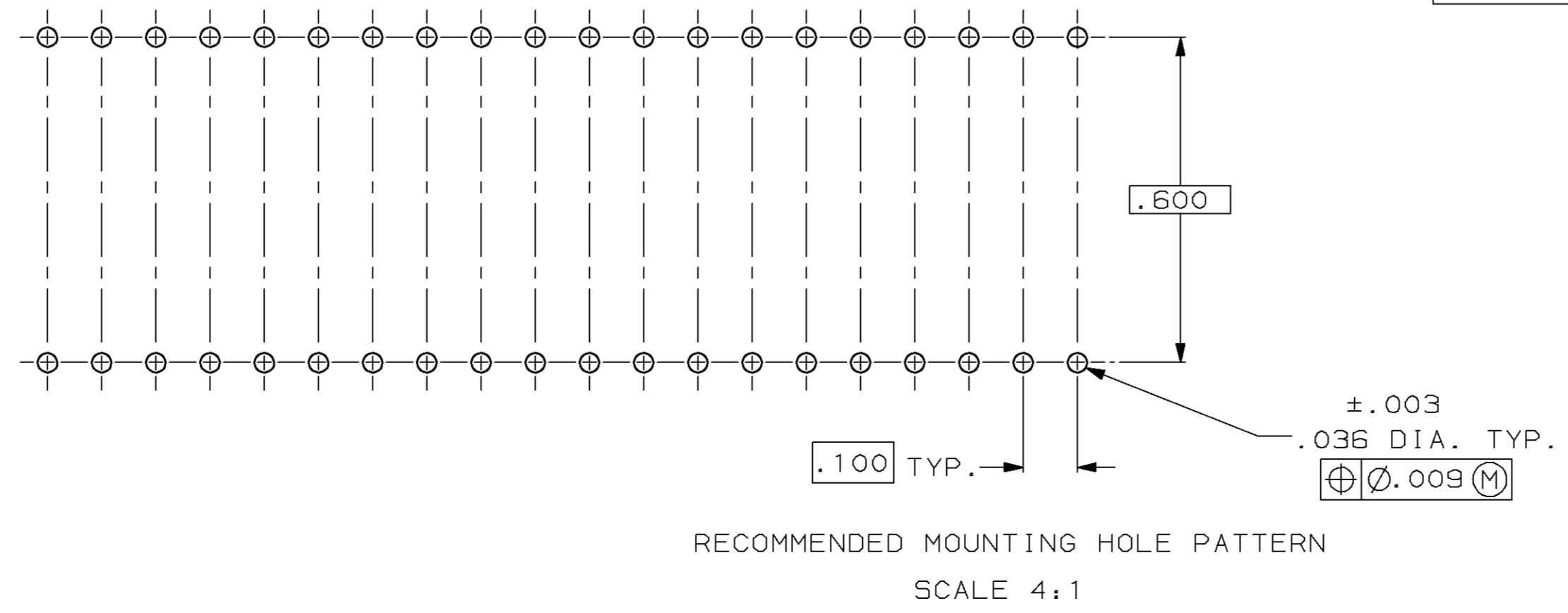
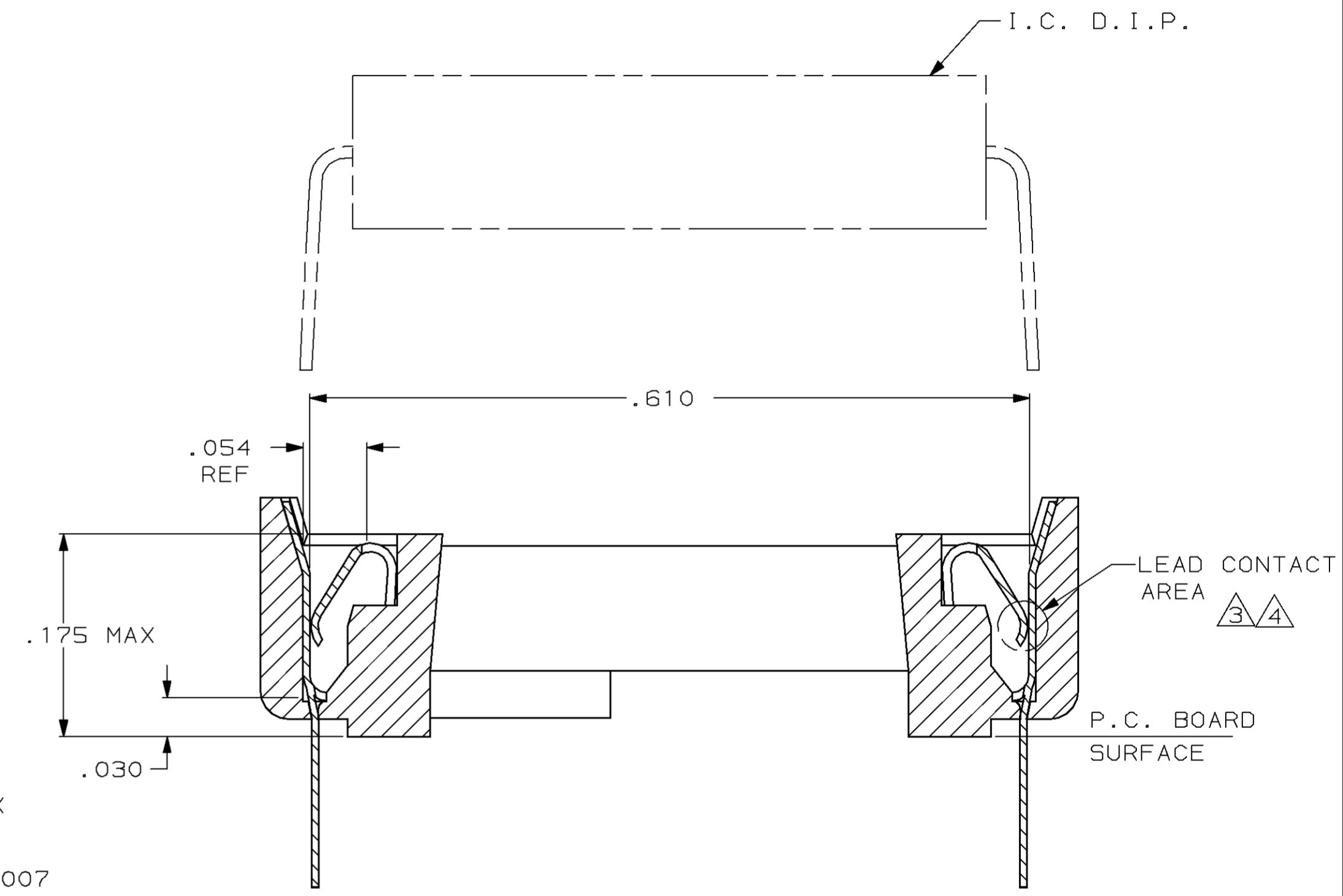
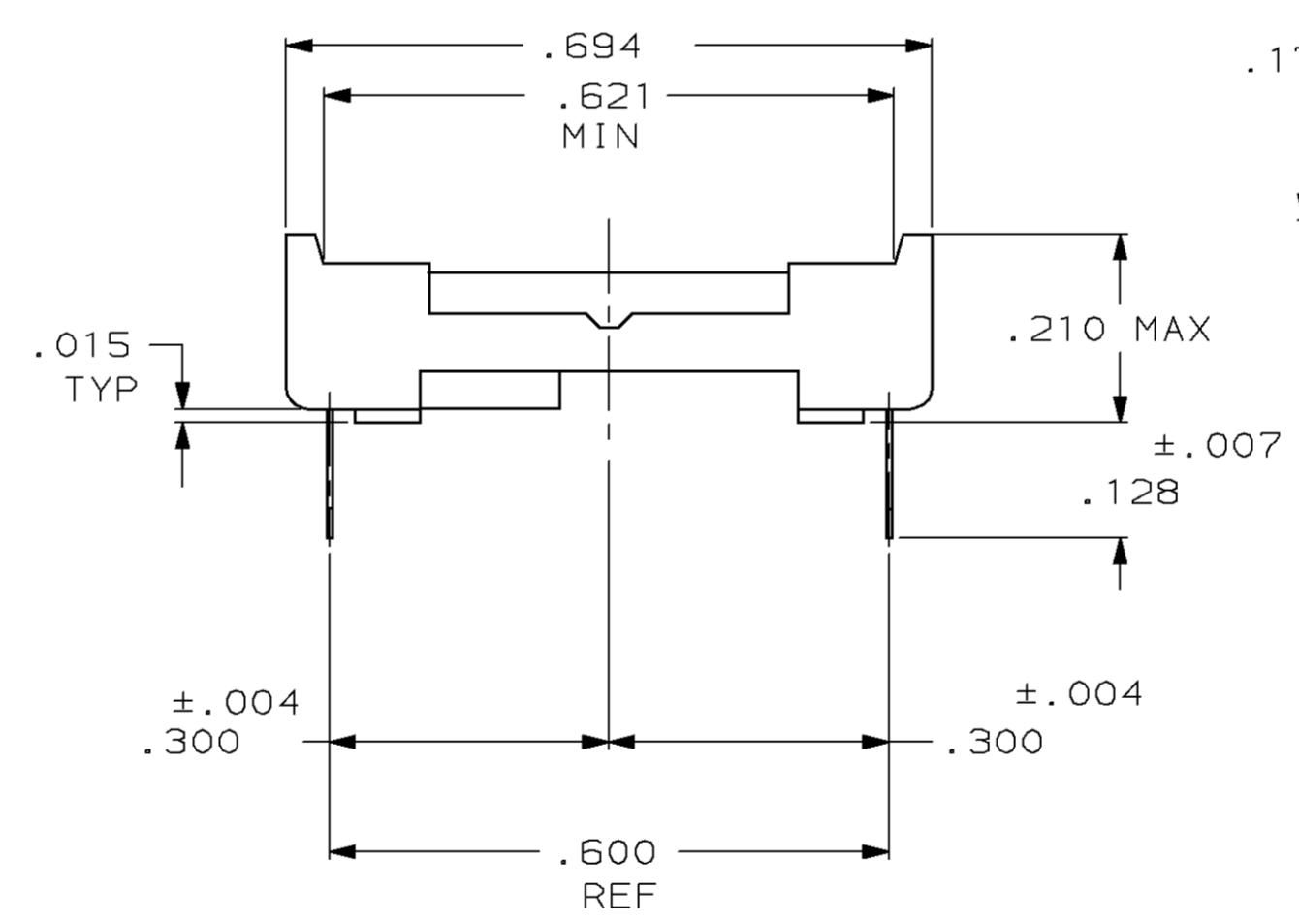
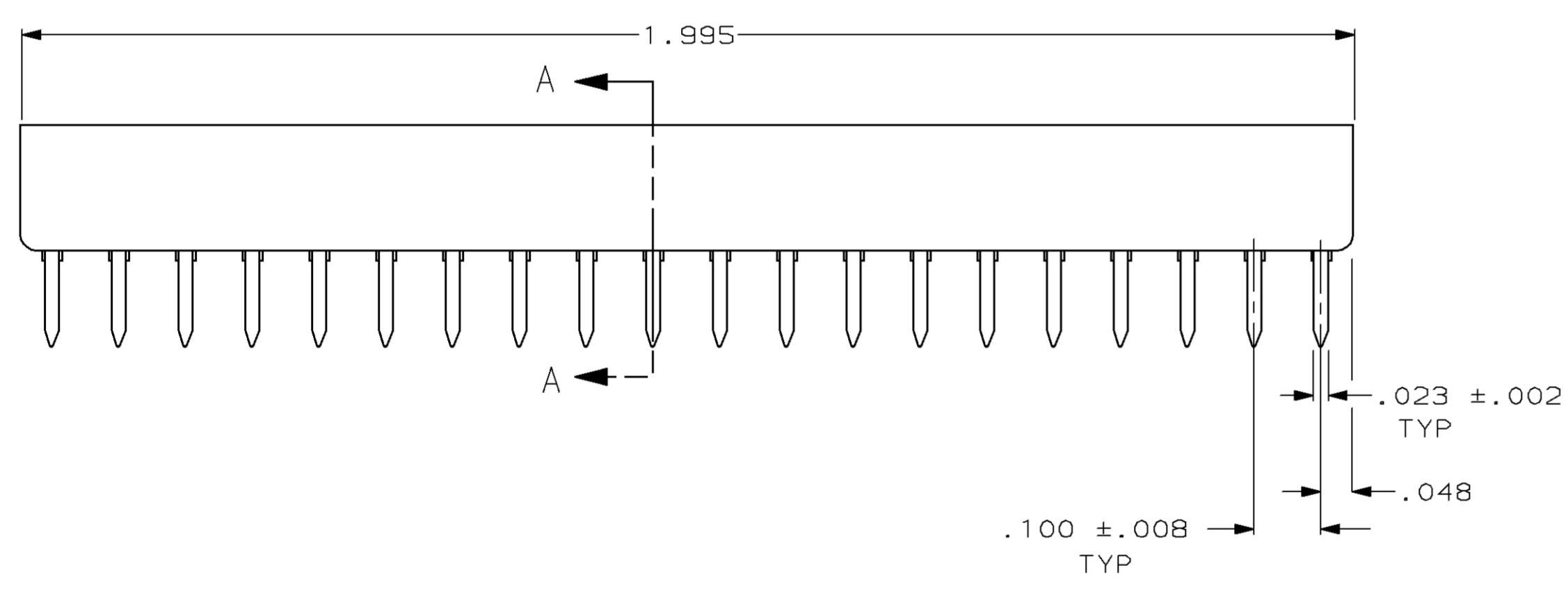
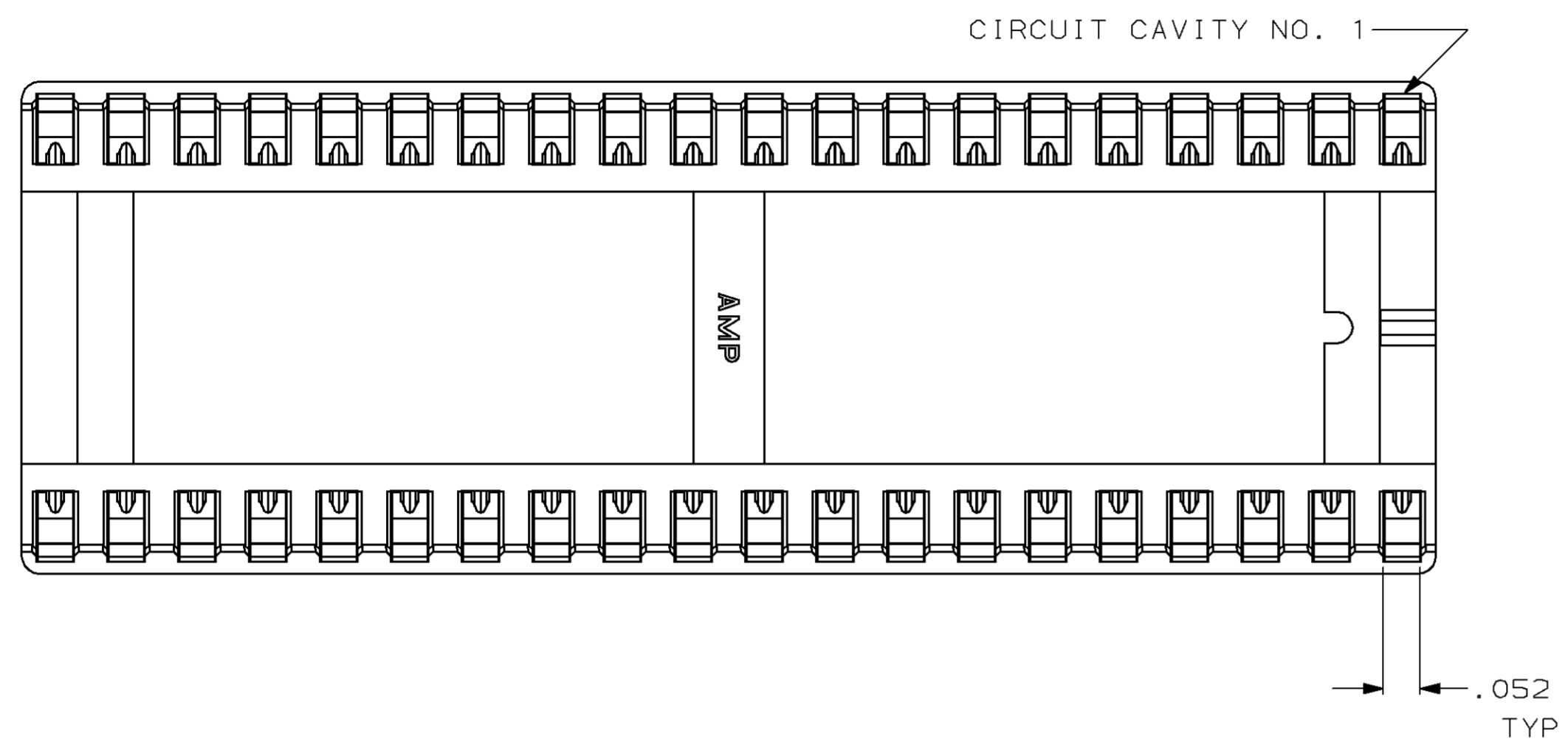


LOC		DIST		REV		ZONE		LTR		REVISIONS		DATE	APPD
FT	64	P	F							T	SUPSD 2--5 PER 0160-4756-95	7-11-96	WS
										U	REV PER EC 0320-138-97	07 MAY 97	GJ

- RECEPTACLE ACCEPTS A .008-.014 THICK I.C. LEAD.
- TUBE LOADED FOR AUTOMATIC INSERTION.
- TWO .000030 MIN THK. GOLD STRIPES IN CONTACT AREA WITH TIN-LEAD (93/7) ON CONTACT LEGS, BALANCE OF CONTACT NICKEL PLATED.
- TWO .000015 MIN THK. GOLD STRIPES IN CONTACT AREA WITH TIN-LEAD (93/7) ON CONTACT LEGS, BALANCE OF CONTACT NICKEL PLATED.
- SEE RESTRICTED CUSTOMER DRAWING 4-641606-3.



SUPERSEDED BY 2-641606-3

TINNED	PHOS.BRZ. .006 THK	GLASS-FILLED THERMOPLASTIC, 94V-0, BLACK	2-641606-5
	PHOS.BRZ. .006 THK	GLASS-FILLED THERMOPLASTIC, 94V-0, BLACK	2-641606-4
TINNED	PHOS.BRZ. .006 THK	GLASS-FILLED THERMOPLASTIC, 94V-0, BLACK	2-641606-3
	BE.CU. .006 THK	GLASS-FILLED THERMOPLASTIC, 94V-0, BLACK	2-641606-2
TINNED	BE.CU. .006 THK	GLASS-FILLED THERMOPLASTIC, 94V-0, BLACK	2-641606-1
CONTACT FINISH	CONTACT MAT'L	HOUSING MATERIAL	PART NO.

UNLESS OTHERWISE SPECIFIED DIMENSIONS ARE IN INCHES TOLERANCES ON :		DR		PART NO	
2 PL DEC ±.005	3 PL DEC ±.005	DR	M.CYRUS	8-17-87	AMP INCORPORATED Harrisburg, Pa. 17105
ANGLES ±0°30'		CHK	R.MILLER	8-31-87	
		APPD	J.LAMBERT	9-4-87	
MATERIAL	SEE TABLE	PRODUCT SPEC	108-1066	NAME SOCKET ASSY, DIP, LADDER, 40 POS, DIPLOMATE™ DL	
FINISH	SEE TABLE	APPLICATION SPEC	114-1049	SIZE	F5CM NO D 00779
		WEIGHT	-	DRAWING NO	641606
				SCALE	5:1
					SHEET 1 OF 1