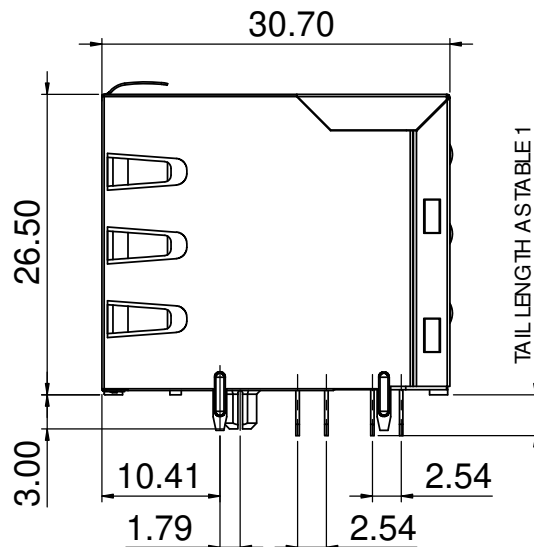
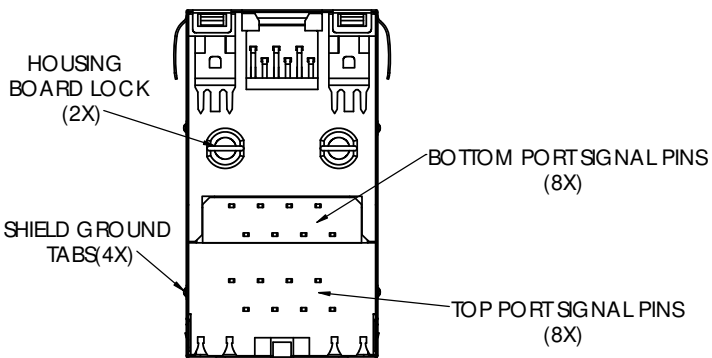


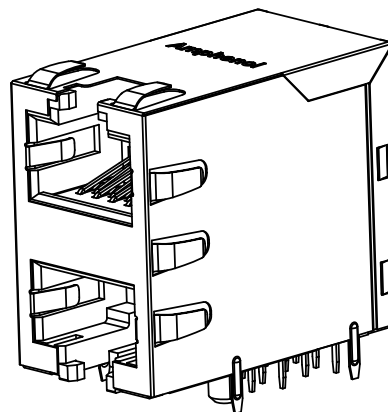
FRONT VIEW



SIDE VIEW



BACK VIEW



ISOMETRIC VIEW

REVISIONS			
REV	DESCRIPTION, ECN, EAR NO.	DATE	APP'D
A	PROPOSAL DRAWING	NOV.12.2019	A.G
B	UPDATE NOTES	NOV.22.2019	A.G

NOTES:

MATERIALS:

- CONTACTS: PHOSPHOR BRONZE, SELECTIVE GOLD PLATING FOR MATING AREAS(TABLE 1) 50u" MIN. NICKEL OVERALL. 50u" MIN. TIN FINISH ON TAILS.
- HOUSING: HIGH TEMPERATURE ENGINEERING THERMOPLASTIC. COLOR: BLACK, FLAMMABILITY RATING UL 94V-0.
- SHIELD: STAINLESS STEEL, TIN FINISH GROUND TABS.
- PCB: FR-4.

ELECTRICAL:

- VOLTAGE RATING: 125 VAC.
- CURRENT RATING: 1.25 AMP PER CONTACT.
- INSULATING RESISTANCE: 500 MEGOHMS MINIMUM.
- DIELECTRIC STRENGTH: CONTACT TO SHIELD: 1,500 VAC, 60Hz, 1 MIN

ENVIRONMENTAL:

- STORAGE: -40° TO +85°.
- OPERATION: -40° TO +85°.
- MATES WITH MODULAR PLUG CONFORMING TO TIA 1096.
- RECOMMENDED SOLDER PROCESS: IR REFLOW, PEAK SOLDERING TEMPERATURE 255°C TO 265°C (5-8 SECONDS)

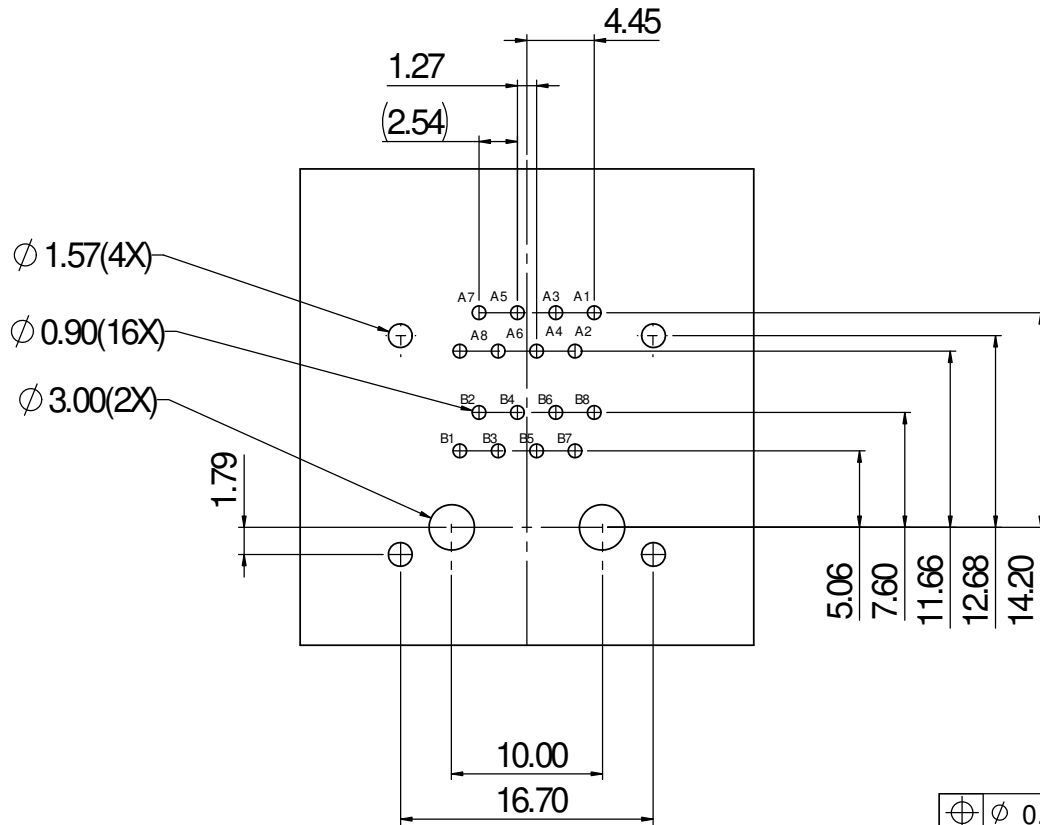
AMPHENOL PART NUMBER: RJE1R288XX5X0X, DETAILS AS TABLE 1.



UNLESS SPECIFIED OTHERWISE	DRAWN	KELVIN T	NOV.12.19
PRIMARY UNITS	MILLIMETERS	CHECKED	
REFERENCE IN PARENTHESES	M.E. APP'D		
GENERAL TOLERANCES	Q.A. APP'D	A.GREEN	NOV.12.19
1 DECIMAL PLACE	±0.38	ENG. REL. NO.	
2 DECIMAL PLACES	±0.25	REF.	
3 DECIMAL PLACES		THIRD ANGLE PROJECTION	DO NOT SCALE DRAWING
ANGULAR DEGREES			

Amphenol Canada Corp.			
Commercial Products			
STACKABLE MODULAR JACK, 2X1 PORTS, RJE1R SERIES THROUGH HOLE, SHIELDED, WITHOUT LED 8P8C-RoHS COMPLIANT			
DWG. NO.	P-RJE1R-288-XX5X0X		REV B
CODE ID NO.	03554	DWG SIZE: C	SCALE: 3:1 SHEET 1 OF 3

RECOMMENDED PCB WITH 8 CONTACTS
SCALE 4:1



$\varnothing \ 0.13$

HOLES POSITION ARE BASIC

RECOMMENDED PCB LAYOUT TOLERANCE:
+/- 0.05MM
RECOMMENDED CUSTOMER PCB THICKNESS:
3.30 MM

REVISIONS			
REV	DESCRIPTION, ECN, EAR NO.	DATE	APP'D
A	PROPOSAL DRAWING	NOV.12,2019	A.G
B	UPDATE NOTES	NOV.22,2019	A.G



UNLESS SPECIFIED OTHERWISE	DRAWN	KELVIN T	NOV.12,19
PRIMARY UNITS	MILLIMETERS	CHECKED	
REFERENCE IN PARENTHESES	M.E. APP'D		
GENERAL TOLERANCES	Q.A. APP'D	A.GREEN	NOV.12,19
1 DECIMAL PLACE	± 0.38	DWG. APPR.	
2 DECIMAL PLACES	± 0.25	ENG. REL. NO.	
3 DECIMAL PLACES		REF.	
ANGULAR DEGREES		THIRD ANGLE PROJECTION	

Amphenol Canada Corp.			
Commercial Products			
STACKABLE MODULAR JACK, 2X1 PORTS, RJE1R SERIES THROUGH HOLE, SHIELDED, WITHOUT LED 8P8C-RoHS COMPLIANT			
DWG. NO.	P-RJE1R-288-XX5X0X	REV	B
CODE ID NO.	03554	DWG SIZE:	C
SCALE:	3:1	SHEET	2 OF 3

RECOMMENDED PCB AND PANEL LAYOUT

SCALE 4:1

REVISIONS			
REV	DESCRIPTION, ECN, EAR NO.	DATE	APP'D
A	PROPOSAL DRAWING	NOV.12.2019	A.G
B	UPDATE NOTES	NOV.22.2019	A.G

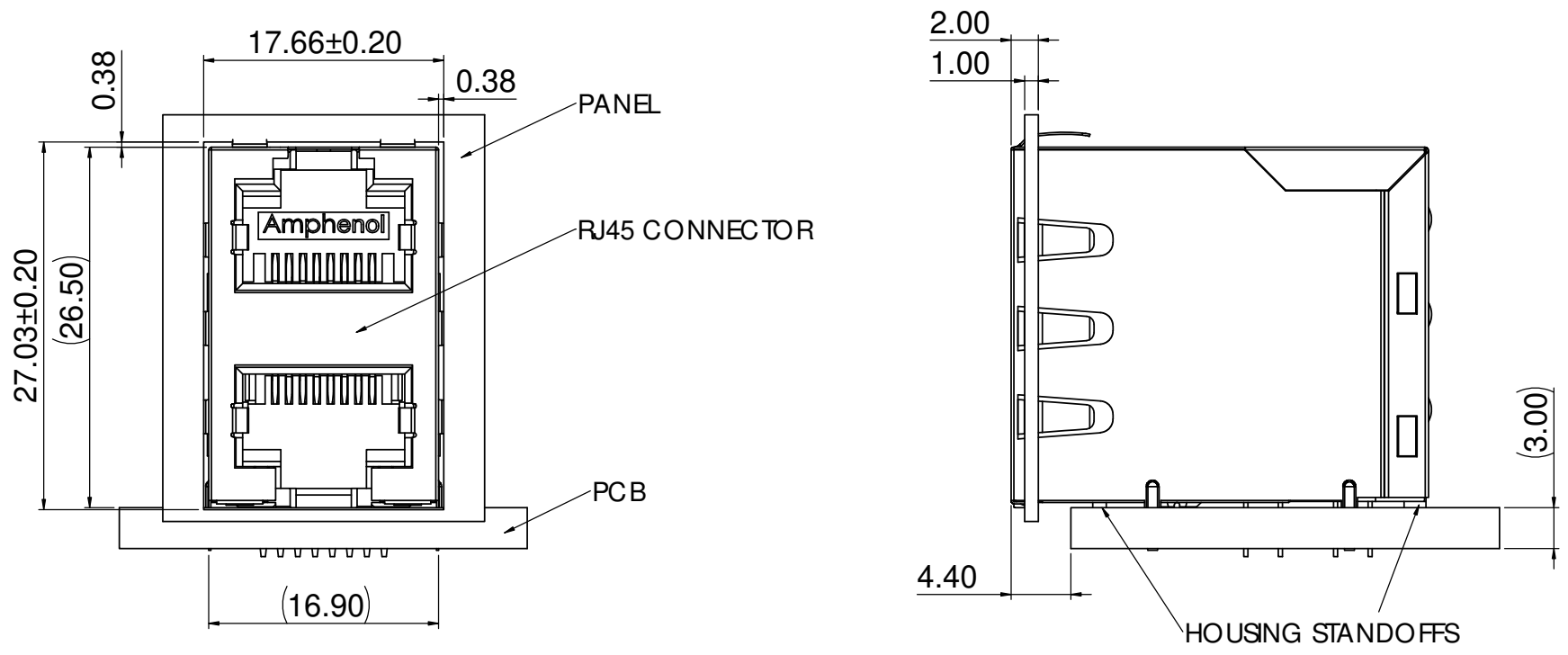


TABLE 1: AMPHENOL PART NUMBER DESCRIPTION:

R J E 1 R 2 8 8 X X 5 X 0 X

- TOP PORT CATEGORY OPTION:
 - 1 - CAT5 COMPATIBLE
 - 2 - CAT5e
 - 3 - CAT6
- BOTTOM PORT CATEGORY OPTION:
 - 1 - CAT5 COMPATIBLE
 - 2 - CAT5e
 - 3 - CAT6
- SHIELDED WITH TOP AND SIDE TABS
- CONTACT TAIL LENGTH OPTION:
 - 1 : 3.60 MM
 - 2 : 3.20 MM
 - 3 : 2.80 MM
- NO LED
- CONTACT GOLD PLATING THICKNESS OPTION:
 - 1 - GOLD FLASH;
 - 2 - 15u" MIN.;
 - 3 - 30u" MIN.;
 - 4 - 50u" MIN.;



THIS DOCUMENT CONTAINS PROPRIETARY INFORMATION AND SUCH INFORMATION MAY NOT BE DISCLOSED TO OTHERS FOR ANY PURPOSE OR USED FOR MANUFACTURING PURPOSES WITHOUT WRITTEN PERMISSION FROM AMPHENOL CANADA CORP.

UNLESS SPECIFIED OTHERWISE	DRAWN	KELVIN T	NOV.12.19	Amphenol Canada Corp. Commercial Products STACKABLE MODULAR JACK, 2X1 PORTS, RJE1R SERIES THROUGH HOLE, SHIELDED, WITHOUT LED 8P8C-RoHS COMPLIANT
PRIMARY UNITS	MILLIMETERS	CHECKED		
REFERENCE IN PARENTHESES		M.E. APP'D		
GENERAL TOLERANCES		Q.A. APP'D		
1 DECIMAL PLACE	±0.38	DWG. APPR.	A.GREEN NOV.12.19	
2 DECIMAL PLACES	±0.25	ENG. REL. NO.		
3 DECIMAL PLACES		REF.		
ANGULAR DEGREES		THIRD ANGLE PROJECTION		
		DO NOT SCALE DRAWING		
		DWG. NO.		
		REV	B	
		CODE ID. NO.	03554	
		DWG. SIZE:	C	
		SCALE:	3:1	
		SHEET	3 OF 3	