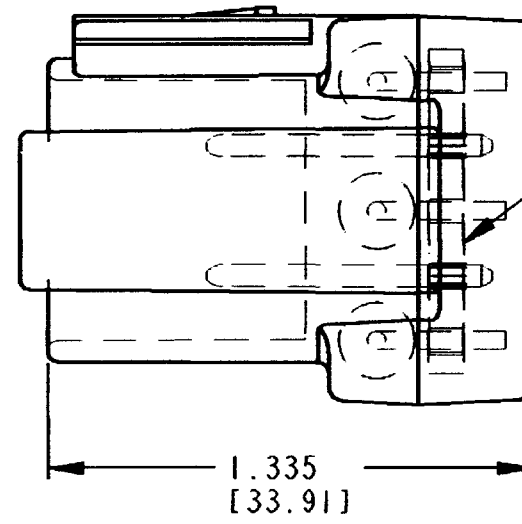
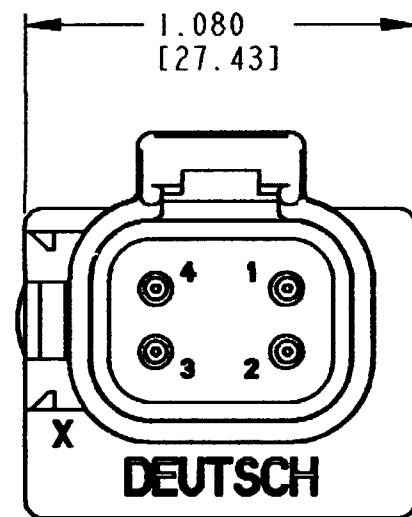
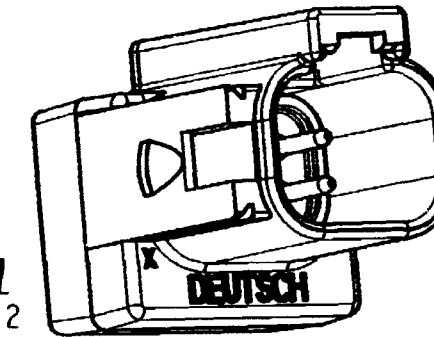


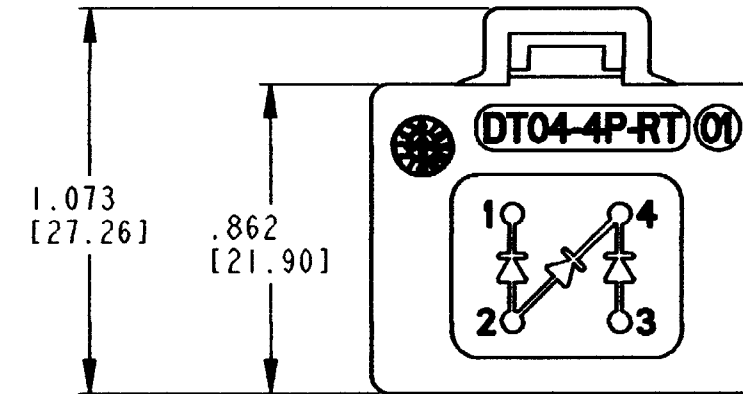
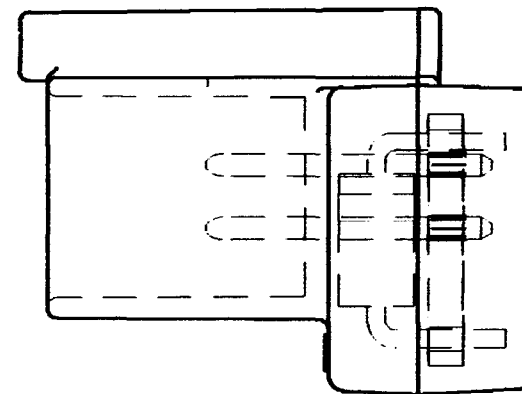
CIRCUIT DIAGRAM



MOLDED IN INTERNAL PCB
SHOWN FOR REFERENCE



3D VIEW
SCALE 3:2



REV
B DT04-4P-RT01


REVISIONS			
SYM	DESCRIPTION	DATE	APPROVED
NC	NEW RELEASE PER E.O. P16233	10/11/99	WOODRUFF
A	REVISED PER E.O. P16526	2/4/00	C. WOODRUFF
B	REVISED PER E.O. P19626	4-21-08	ADD

5. MOTOROLA DIODE P/N: MUR460G.
PEAK REVERSE VOLTAGE = 600.0 V MAX.
PEAK FORWARD VOLTAGE = 1.28 V MAX.
AVERAGE FORWARD CURRENT = 4.0 A MAX.
CONSULT THE FACTORY FOR DETAILED SPECIFICATIONS.
4. TEMPERATURE RANGE: -55°C TO +125°C.
3. RECEPTACLE MATES WITH DT06-4S-****.
2. ALL DIMENSIONS UNLESS OTHERWISE SPECIFIED ARE ±.025 [.63].
- NOTES: 1. ALL DIMENSIONS ARE INCHES [METRIC].

SIGNATURE & DATE	
DR	J. APOSTOL 4FEB2000
CHK	R. Messer 4/16/00
PE	K. Klein 6-27-07
APPD	S. Beard 6-28-07
SCALE	NONE WT

4 WAY RECEPTACLE
TERMINATOR
DT SERIES

ENVELOPE

EP	MATL. CODE
 3850 INDUSTRIAL AVE. HEMET, CA 92545 DEUTSCH INDUSTRIAL	
B	DT04-4P-RT01
DWG SIZE	CODE 11139 SHEET 1 OF 1