

95H00 FOUR BIT UNIVERSAL SHIFT REGISTER

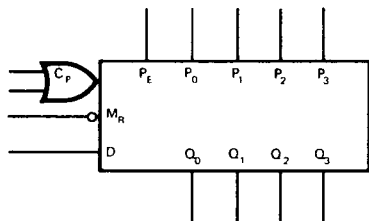
011786

95H16 DC only (V_{CC} not full line)
"6B" PKG (Dual In-Line)
C-75 Rev FSC

DESCRIPTION The 95H00 is a four bit Parallel/Serial In, Parallel/Serial Out Universal shift register. High speed ECL technology permits storage, shifting, counting and serial code conversion in excess of 150 MHz.

Features include assertion outputs on each state, overriding asynchronous master reset, serial and parallel D type inputs and a gated clock.

- HIGH SPEED . . . 150 MHz SHIFT FREQUENCY
- D TYPE INPUT IN SERIAL AND PARALLEL GATED CLOCK INPUT
- ASYNCHRONOUS MASTER RESET
- 50 Ω DRIVE ON Q3 OUTPUT
- WIRED OR CAPABILITY
- SEPARATE CURRENT SWITCH EMITTER FOLLOWER V_{CC} PINS – ELIMINATE NOISE COUPLING
- TEMPERATURE COMPENSATION
- INTERNAL PULL DOWN
- SINGLE -5.2 VOLT POWER SUPPLY
- HERMETIC CERAMIC 16 PIN DIP
- COMPLEX MULTI-GATE CHIP REDUCES PACKAGE COUNT & POWER



P_N = PARALLEL IN
P_E = PARALLEL ENABLE
Q_N = PARALLEL OUT, 10 LOADS
Q₃ = SERIAL O 1, 50 Ω + 10 LOADS
C_P = CLOCK IN, SHIFTS ON POS. EDGE
M_R = ASYNCHRONOUS MASTER RESET
D = DATA INPUT, SERIAL

9502·9503·9504 BASIC GATES

DC only

"6B" #12 Package

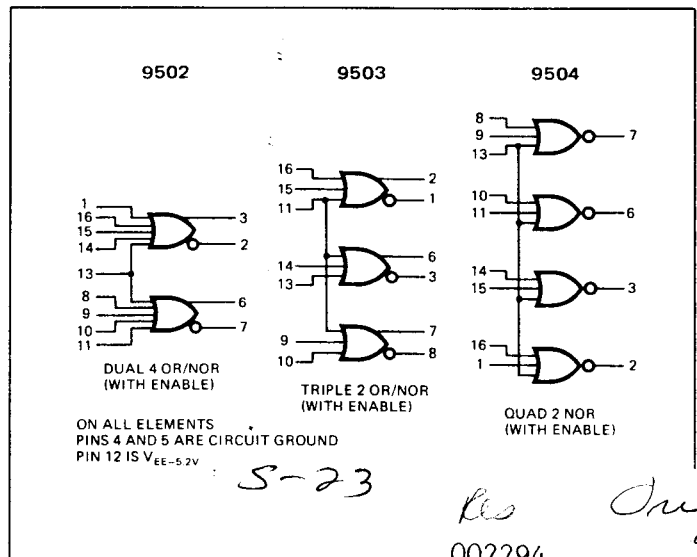
16 Pin .3Kaw Ceramic

C-75
Per FSC
4 B.A.T.A

DESCRIPTION The 9502, 9503 and 9504 are temperature compensated OR/NOR Gates employing a nonsaturating current switch, emitter follower configuration to achieve high speed. The elements are intended for the design of high speed central processors, terminals, instrumentation and digital communications systems.

Input and output 2K Ω pulldown resistors eliminate the necessity for external termination of lines up to 6-8 inches and unused logic inputs. Package pin locations are chosen to reduce internal noise generation and crosstalk.

- HIGH SPEED . . . 2.3 ns PER GATE
- SEPARATE V_{CC} PINS – ELIMINATE NOISE COUPLING
- TEMPERATURE COMPENSATION
- INTERNAL PULLDOWN RESISTORS
- COMMON ENABLE INPUTS
- LOW CROSSTALK AND NOISE GENERATION
- WIRE-OR CAPABILITY
- 50 Ω LINE DRIVING CAPABILITY
- COMPLEMENTARY OR/NOR OUTPUTS (9502, 9503)
- SINGLE -5.2V POWER SUPPLY
- HERMETIC CERAMIC 16 PIN DUAL IN-LINE PACKAGE



ON ALL ELEMENTS PINS 4 AND 5 ARE CIRCUIT GROUND PIN 12 IS V_{EE} = -5.2V

S-23

Res Drug
002294

T2294

FSC