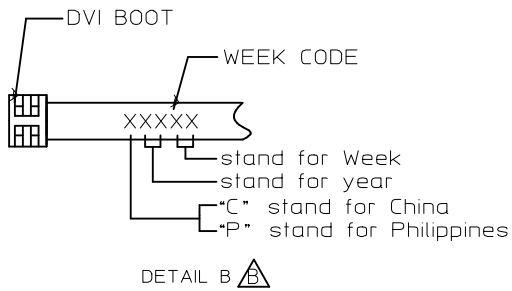
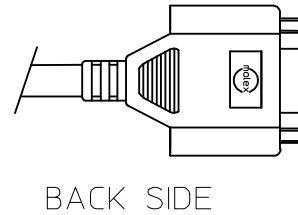
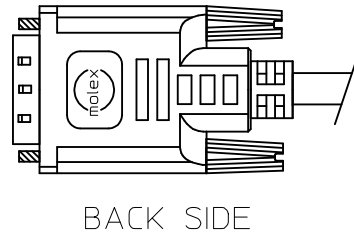
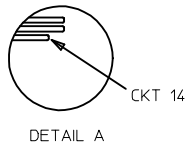
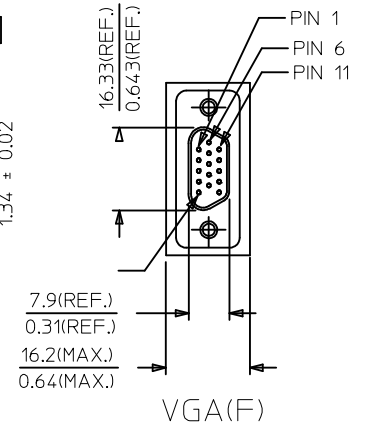
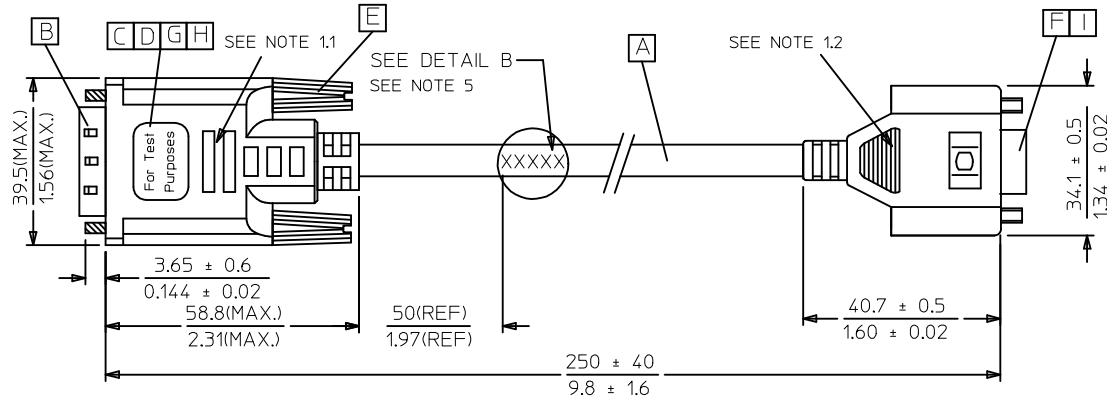
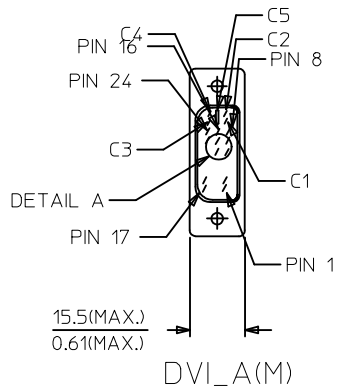


REVISIONS				
EC NO	DATE	REV	DESCRIPTION	CHANGER
CY14-5154	2013/08/30	B	CHANGE THE LABELING CONTENT FOR PRODUCTS TRANSFER TO PHILIPPINES	AHOU



ENTER DESCRIPTION EC NO: CPG2014-0687 DRWN: XJGU001 CHKD: AHOU APPR: XAWANG	QUALITY SYMBOLS 	GENERAL TOLERANCES (UNLESS SPECIFIED)		DIMENSION STYLE MM/IN		SCALE	DESIGN UNITS METRIC	THIRD ANGLE PROJECTION
		mm	INCH	DRAWN BY	DATE	TITLE		
		4 PLACES ± --- ± ---		XJGU001	2013/09/06	DVI_A(M) TO VGA(F) DONGLE CABLE ASS'Y 0.25M		
		3 PLACES ± --- ± ---		CHECKED BY	DATE			
2 PLACES ± --- ± ---		PDAI	2013/09/06					
1 PLACE ± --- ± ---		APPROVED BY	DATE					
0 PLACE ± --- ± ---		XAWANG	2013/09/12					
DRAFT WHERE APPLICABLE MUST REMAIN WITHIN DIMENSIONS		MATERIAL NO. 887419700		DOCUMENT NO. SD-88741-097		SHEET NO. 1 OF 2		
THIS DRAWING CONTAINS INFORMATION THAT IS PROPRIETARY TO MOLEX INCORPORATED AND SHOULD NOT BE USED WITHOUT WRITTEN PERMISSION								

7

6

5

4

3

2


1

NOTE: 1. OVERMOLD SPECIFICATION:

1.1 DVI BOOT MOLDED SNOW WHITE PVC RESIN 887800076. UL94V-0.

1.2 VGA OVERMOLDED WITH PVC BLUE RESIN 887800145.

2. MECHANICAL SPECIFICATION:

 2.1 CABLE SHOULD STAND THE PULL FORCE 89-111N FOR 30 SECONDS WITH NO VISIBLE TERMINATION DAMAGE.

3. PRODUCT ELECTRICAL SPECIFICATION REFER TO ES-001.

4. DVI CONNECTOR SPECIFICATION:

4.1 REFER TO PRODUCT SPEC. PS-74320-001


4.2 CONTACT PLATING: AU FLASH.

5. THE CODE PLEASE BE PRINTED ON THE SPACE.

6. THIS PRODUCT MUST MEET MX RoHS COMPLIANCE.

SHIELD	SHIELD	SHIELD	GROUND
C 5	PIN R6,G7,B8	RED,GRN,BLU	ANLOG GROUND
C 4	PIN 13	WHITE	HORIZONTAL SYNC
C 3	PIN 3	BLUE	ANLOG
C 2	PIN 2	GREEN	ANLOG
C 1	PIN 1	RED	ANLOG
PIN 15	PIN 5,10	ORANGE	GROUND(+5V & HV SYNC)
PIN 14,16	PIN 9	YEL/BRN	POWER +5V/HOT PLUG DETECT
PIN 8	PIN 14	RED	VERTICAL SYNC
PIN 7	PIN 12	GREEN	DDC DATA
PIN 6	PIN 15	BLACK	DDC CLOCK
DVI_A	VGA	COLOR	CABLE FUNCTION

ITEM	DESCRIPTION	L	QTY.
I	VGA METAL CAN 887809056		1
H	DVI-I INNER EMI CAN 743260012		2
G	COPPER FOIL 887801082		1
F	VGA D-SUB CONNECTOR 887899274		1
E	DVI THUMB SCREW 887806005		2
D	EVC CRIMP FERRULE 737720001		1
C	DVI-I OUTER EMI CAN 743260011		1
B	DVI_A G/F CONNECTOR 743230011		1
A	DVI ANALOG CABLE IVORY 887808032	225(Ref.)	1

ENTER DESCRIPTION EC NO: CPG2014-0687 DRW:NXJGU001 2013/09/06 CHKD:AHOU 2013/09/06 APPR:XAWANG 2013/09/12	QUALITY SYMBOLS F=0 F=0 F=1	GENERAL TOLERANCES (UNLESS SPECIFIED)		DIMENSION STYLE MM/IN		SCALE 1:1	DESIGN UNITS METRIC	THIRD ANGLE PROJECTION		
		mm	INCH	DRAWN BY XJGU001	DATE 2013/09/06	TITLE DVI_A(M) TO VGA(F) DONGLE CABLE ASS'Y 0.25M				
B	REV	4 PLACES	± ---	± ---	CHECKED BY PDAI	DATE 2013/09/06				
		3 PLACES	± ---	± ---	APPROVED BY XAWANG	DATE 2013/09/12				
		2 PLACES	± ---	± ---	MATERIAL NO. 887419700		DOCUMENT NO. SD-88741-097	SHEET NO. 2 OF 2		
		1 PLACE	± ---	± ---	THIS DRAWING CONTAINS INFORMATION THAT IS PROPRIETARY TO MOLEX INCORPORATED AND SHOULD NOT BE USED WITHOUT WRITTEN PERMISSION					
		0 PLACE	± ---	± ---						

fb_frame_A4_P_AM_T
Rev. G 2012/01/11

6

5

4

3

2

1

NOTE: 1. OVERMOLD SPECIFICATION:

- 1.1 DVI BOOT MOLDED SNOW WHITE PVC RESIN 887800076E~UL94V-0.
- 1.2 VGA OVERMOLDED WITH PVC BLUE RESIN 887800145.

2. MECHANICAL SPECIFICATION:

- ▽ 2.1 CABLE SHOULD STAND THE PULL FORCE 89-111N FOR 30 SECONDS WITH NO VISIBLE TERMINATION DAMAGE.

3. PRODUCT ELECTRICAL SPECIFICATION REFER TO ES-001.

4. DVI CONNECTOR SPECIFICATION:

- 4.1 REFER TO PRODUCT SPEC. PS-74320-001
- 4.2 CONTACT PLATING: AU FLASH.

5. THE CODE PLEASE BE PRINTED ON THE SPACE.

6. THIS PRODUCT MUST MEET MX RoHS COMPLIANCE.

SHIELD	SHIELD	SHIELD	GROUND
C 5	PIN R6,G7,B8	RED,GRN,BLU	ANLOG GROUND
C 4	PIN 13	WHITE	HORIZONTAL SYNC
C 3	PIN 3	BLUE	ANLOG
C 2	PIN 2	GREEN	ANLOG
C 1	PIN 1	RED	ANLOG
PIN 15	PIN 5,10	ORANGE	GROUND(+5V & HV SYNC)
PIN 14,16	PIN 9	YEL/BRN	POWER +5V/HOT PLUG DETECT
PIN 8	PIN 14	RED	VERTICAL SYNC
PIN 7	PIN 12	GREEN	DDC DATA
PIN 6	PIN 15	BLACK	DDC CLOCK
DVI_A	VGA	COLOR	CABLE FUNCTION

I	VGA METAL CAN 887809056		1
H	DVI-I INNER EMI CAN 743260012		2
G	COPPER FOIL 887801082		1
F	VGA D-SUB CONNECTOR 887899274		1
E	DVI THUMB SCREW 887806005		2
D	EVC CRIMP FERRULE 737720001		1
C	DVI-I OUTER EMI CAN 743260011		1
B	DVI_A G/F CONNECTOR 743230011		1
A	DVI ANALOG CABLE IVORY 887808032	225(Ref.)	1
ITEM	DESCRIPTION	L	QTY.

NEW RELEASE EC NO: DG2006-0183 DRWN:PDAI CHKD: APPR:TKAN	2006/03/03 2006/03/03 2006/03/03	DESCRIPTION REV	QUALITY SYMBOLS	GENERAL TOLERANCES (UNLESS SPECIFIED)	DIMENSION STYLE	SCALE	DESIGN UNITS	THIRD ANGLE PROJECTION
			▽=0 ◻=0	mm INCH	MM/IN	---	METRIC	☉ □
			4 PLACES ± --- ± --- 3 PLACES ± --- ± --- 2 PLACES ± --- ± --- 1 PLACE ± --- ± ---	DRAWN BY DATE PDAI 2006/02/28	CHECKED BY DATE PDAI 2006/02/28	TITLE DVI-A(M) TO VGA(F) DONGLE CABLE ASS'Y 0.25M		
			ANGULAR ± ---°	APPROVED BY DATE ZXDENG 2006/02/28	MATERIAL NO. 88741-9700	DOCUMENT NO. SD-88741-097	SHEET NO. 2 OF 2	