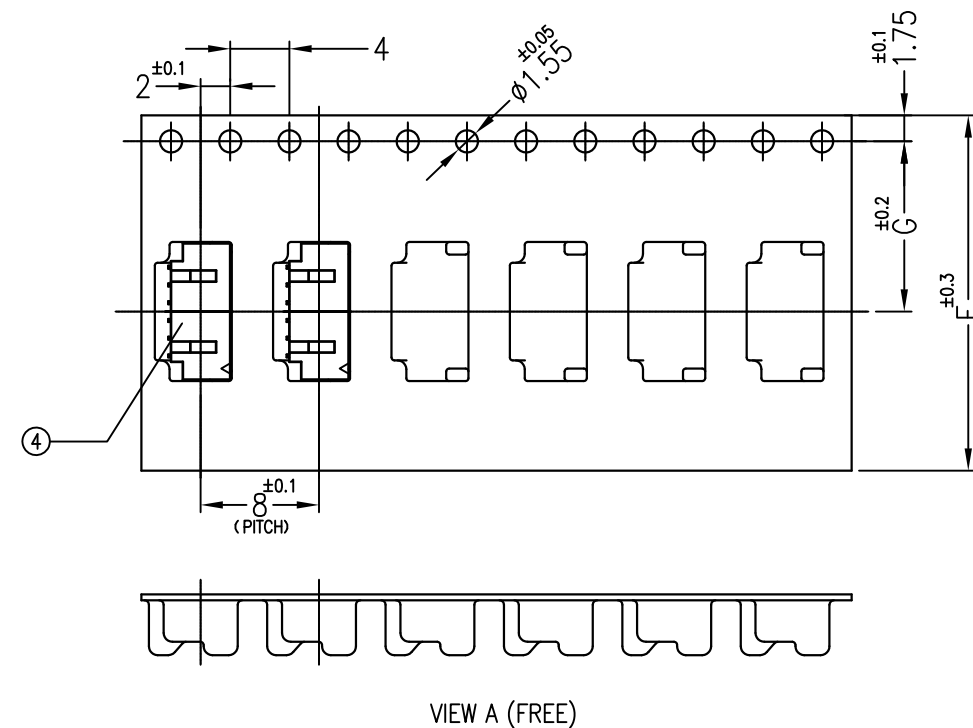
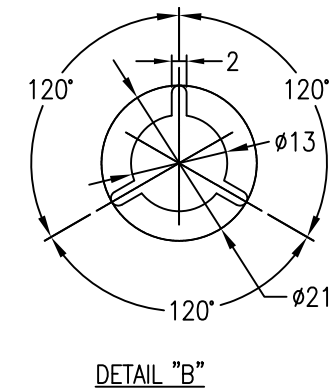
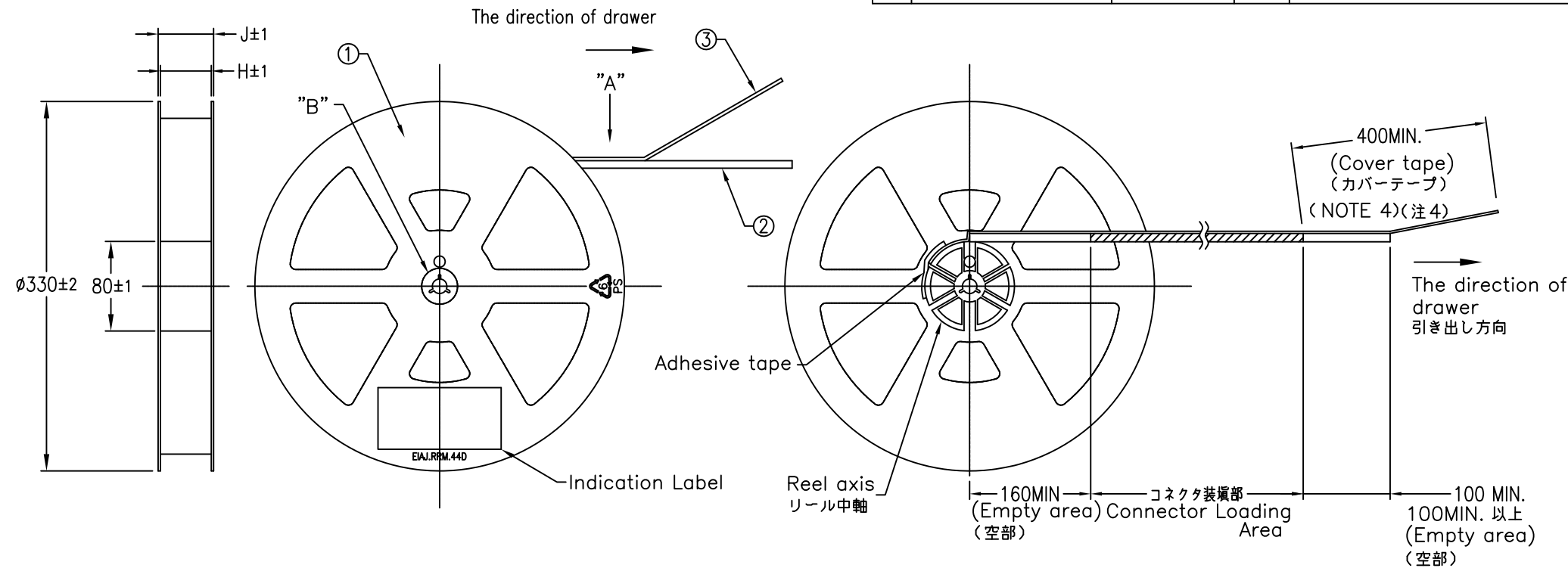


PRODUCT NO.	Finish	No. of Contact	Status
10125839-03RAEHLF	Au	3 pos	
10125839-04RAEHLF	Au	4 pos	
10125839-06RAEHLF	Au	6 pos	

PARTS TABLE 部品表

No.	PART NAME	MATERIAL	QTY.	NOTE
①	THE REEL FOR PACKAGING	POLYSTYRENE	1	Color : WHITE or BLACK ELECTRIFICATION PREVENTION PROCESSING
②	EMBOSS TAPE	PP or PET	1	ELECTRIFICATION PREVENTION PROCESSING
③	COVER TAPE	POLYESTER	1	
④	CONNECTOR	SEE SHEET 2	2,000	

EMBOSS PACKAGE

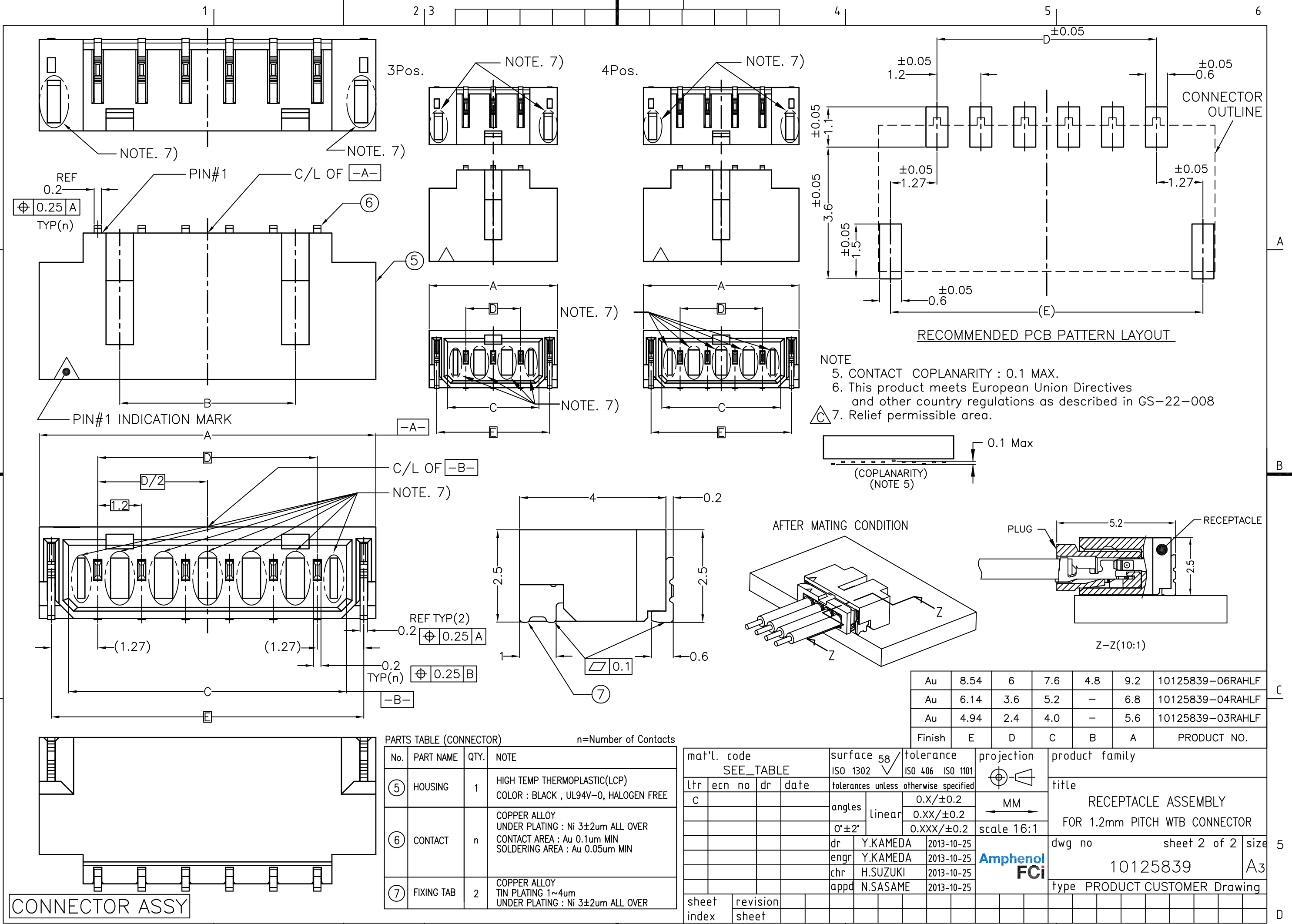


NOTE

- THIS ARTICLE CARRIES OUT THE EMBOSS TAPE PACKAGE OF THE CONNECTOR FOR 1.2mm PITCH WIRE TO BOARD CONNECTOR.
- THE SHAPE AND DIMENSION OF THIS ARTICLE ARE BASED ON JIS C 0806. (TAPING OF ELECTRIC PARTS < SURFACE MOUNTED DEVICE)
- PACKAGING SPEC. : REFER TO GS-14-2360
- PRODUCT SPEC. : REFER TO GS-12-1189

29.5	25.5	11.5	24	10125839-06RAEHLF
21.5	17.5	7.5	16	10125839-04RAEHLF
21.5	17.5	7.5	16	10125839-03RAEHLF
J	H	G	F	PRODUCT NO.

mat'l. code		surface 58		tolerance		projection		product family			
ISO 1302		ISO 406		ISO 1101		MM		title			
ltr	ecn no	dr	date	tolerances unless otherwise specified		MM		RECEPTACLE ASSEMBLY			
A		Y.K	2013-12-17	angles	linear	MM		FOR 1.2mm PITCH WTB CONNECTOR			
B	ELX-J-16637	Y.K	2013-12-17	0°±3'	0.X/±0.2	MM		sheet 1 of 2			
C	ELX-J-31187	Y.K	2018-09-06	0°±3'	0.XX/±0.2	MM		size 5			
		dr	Y.KAMEDA	2013-10-25	scale NA		10125839		A3		
		enr	Y.KAMEDA	2013-10-25	Amphenol FCI		type		PRODUCT CUSTOMER Drawing		
		chr	H.SUZUKI	2013-10-25							
		appd	N.SASAME	2013-10-25							
sheet index	revision sheet	C	C								
		1	2								



CONNECTOR ASSY

PARTS TABLE (CONNECTOR) n=Number of Contacts

No.	PART NAME	QTY.	NOTE
⑤	HOUSING	1	HIGH TEMP THERMOPLASTIC(LCP) COLOR : BLACK , UL94V-0, HALOGEN FREE
⑥	CONTACT	n	COPPER ALLOY UNDER PLATING : Ni 3±2um ALL OVER CONTACT AREA : Au 0.1um MIN SOLDERING AREA : Au 0.05um MIN
⑦	FIXING TAB	2	COPPER ALLOY TIN PLATING 1~4um UNDER PLATING : Ni 3±2um ALL OVER

mat'l. code SEE_TABLE				surface 58 ISO 1302		tolerance ISO 406 ISO 1101		projection MM		product family		
ltr	ecn	no	dr	date	tolerances unless otherwise specified		O.X/±0.2		title RECEPTACLE ASSEMBLY FOR 1.2mm PITCH WTB CONNECTOR dwg no 10125839 sheet 2 of 2 size 5 type PRODUCT CUSTOMER Drawing			
				angles		linear		O.XX/±0.2				
				0°±2'		O.XXX/±0.2		scale 16:1				
				dr	Y.KAMEDA	2013-10-25	Amphenol FCI					
				enr	Y.KAMEDA	2013-10-25						
				chr	H.SUZUKI	2013-10-25						
				appd	N.SASAME	2013-10-25						
sheet index		revision sheet										