

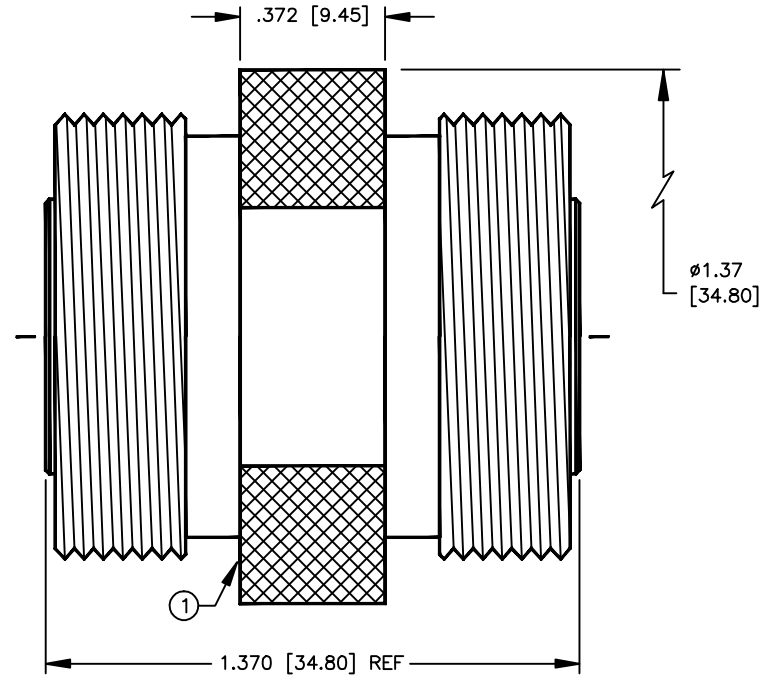
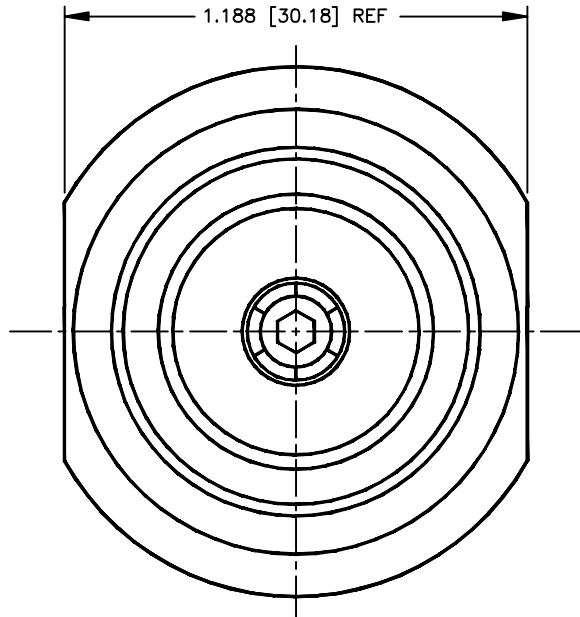
SPECIFICATION CONTROL DRAWING

THIS DRAWING CONTAINS INFORMATION PROPRIETARY TO RF INDUSTRIES, LTD. ANY UNAUTHORIZED USE OF THIS DRAWING IS EXPRESSLY PROHIBITED. ANY VIOLATION IS PUNISHABLE UNDER U.S. COPYRIGHT LAWS.

REV	DESCRIPTION	DWN	DATE	APPROVED
A	ENGINEERING RELEASE	KMM	2/14/97	R. RICE
B	CHANGE DRAWING FORMAT	KMM	3/18/97	R. RICE
C	GRND RING NOW PHOS BRONZE / P/N's NOW REFLECT PLATING	CZS	10/19/98	R. RICE
D	CHANGE GROUND RING FROM SLOTS TO SOLID	CZS	12/12/00	J. D. McR.

ALL DIMENSIONS ARE REFERENCE ONLY

000000



SPECIFICATIONS:

IMPEDANCE: 50 OHMS
 FREQUENCY RANGE: DC-7.5 GHz
 INSERTION LOSS: $-0.01 \text{ dB} \sqrt{\text{FREQUENCY GHz}}$
 VSWR MAX: $<1.10:1$ @ DC-7.5 GHz
 3rd ORDER IM $-d_{Bc}$: $> -150 \text{ dBc}$
 INTERFACE PER ITL-SPEC-CECC-22190

DIMENSIONS ARE IN INCHES AND [MILLIMETERS]

UNLESS OTHERWISE NOTED TOLERANCES ARE:
 DECIMALS DIAMETER

RF connectors
 DIVISION OF RF INDUSTRIES, LTD.

7610 MIRAMAR RD
 SAN DIEGO, CA 92126
 (858) 549-6340
 (858) 549-6345 FAX

RFD-1653-2

7-16 DIN FEMALE TO 7-16 DIN FEMALE BARREL ADAPTER

ITEM	DESCRIPTION	PART NUMBER	QTY	MATERIAL	FINISH
5	GROUND RING	014-16F0003BS	2	BRASS	SILVER
4	DIELECTRIC	010-16X0002TX	1	PTFE	NONE
3	CONTACT SHAFT	013-16X0003BE	1	BRASS	SILVER
2	CONTACT	008-16F0002CE	2	BeCu	SILVER
1	BODY	001-16F0002BE	1	BRASS	SILVER

DRAWN	C. ZUNIGA	12/12/00
CHECKED		
ORJ DRAWN	K. MAXWELL	2/14/97
APPROVALS		DATE

SIZE	CABLE GROUP	DWG NO.	REV
A	N/A	8693	D

SCALE:	2:1	CAD FILE	13ARC B	SHEET	1 OF 1
--------	-----	----------	---------	-------	--------