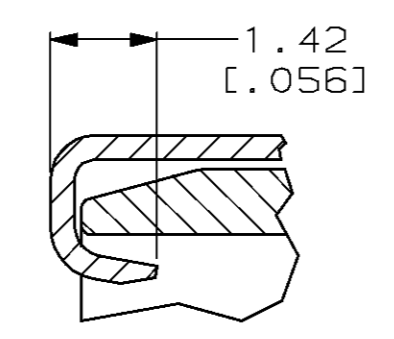
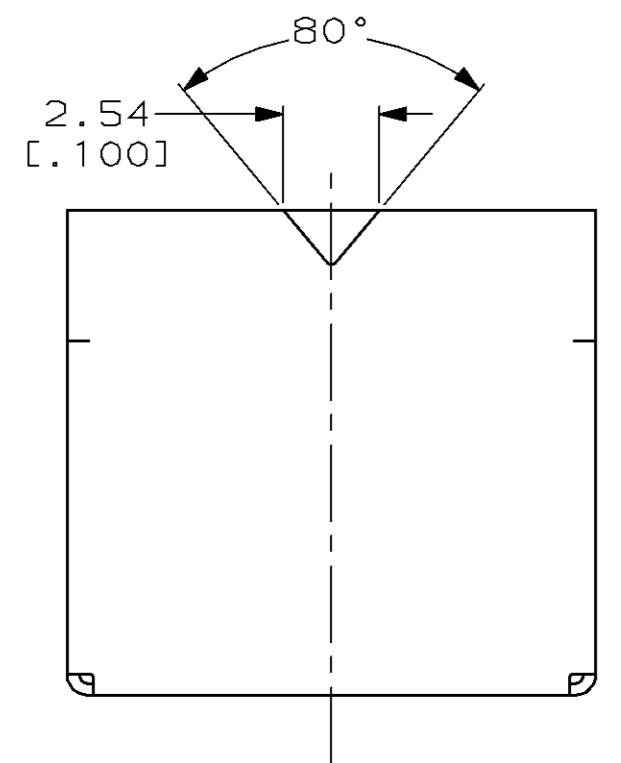
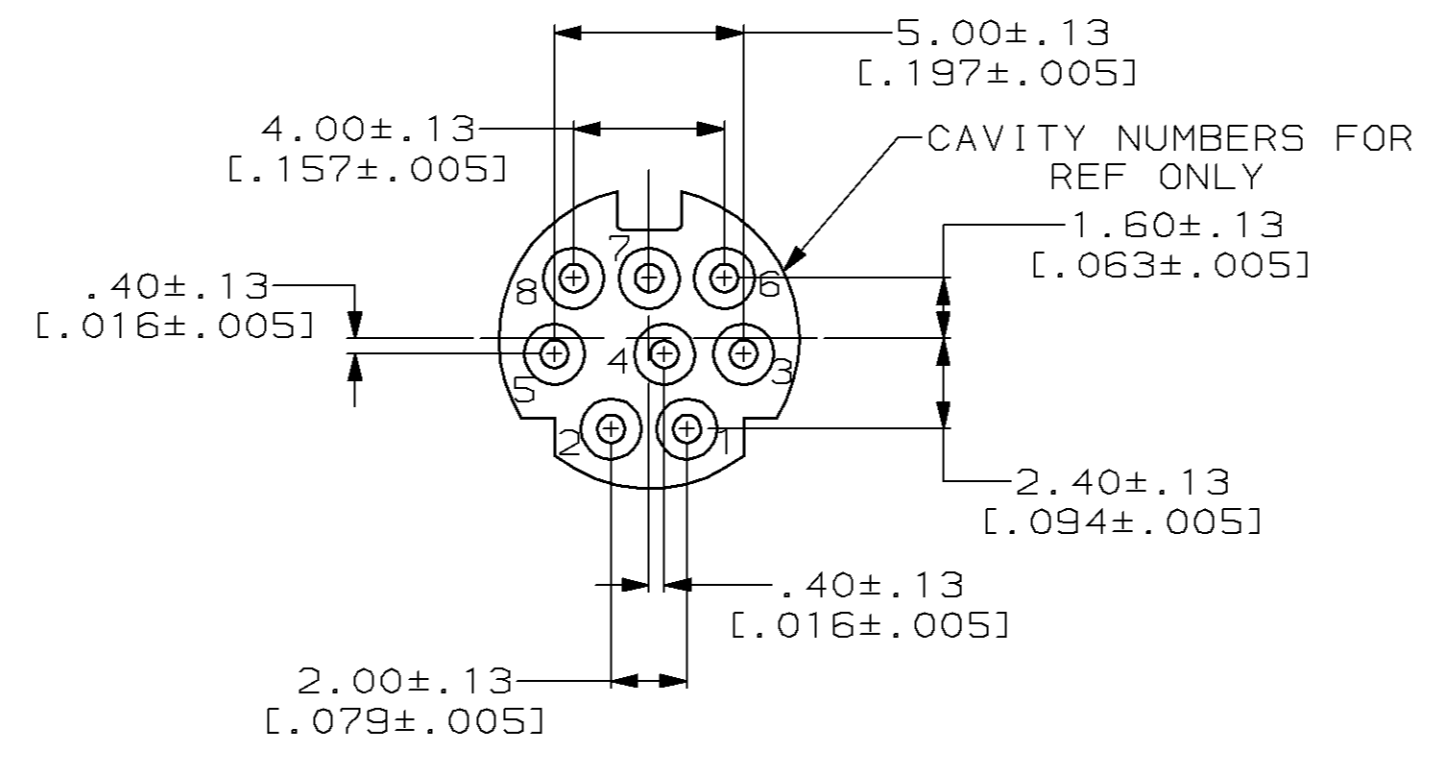


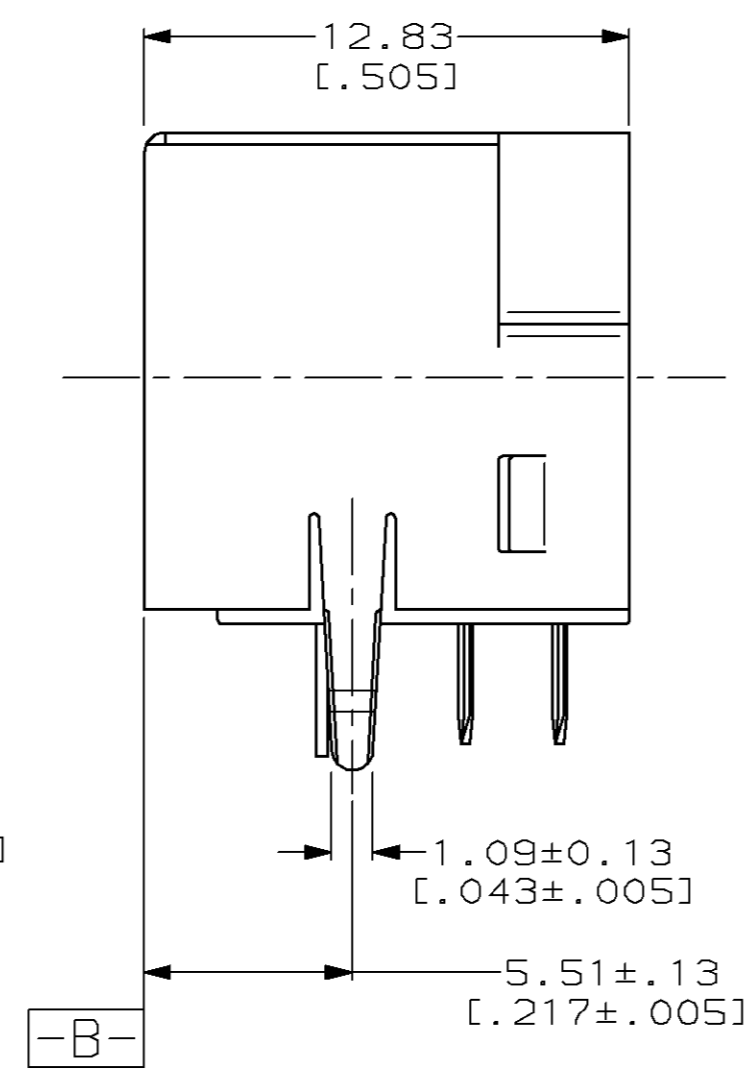
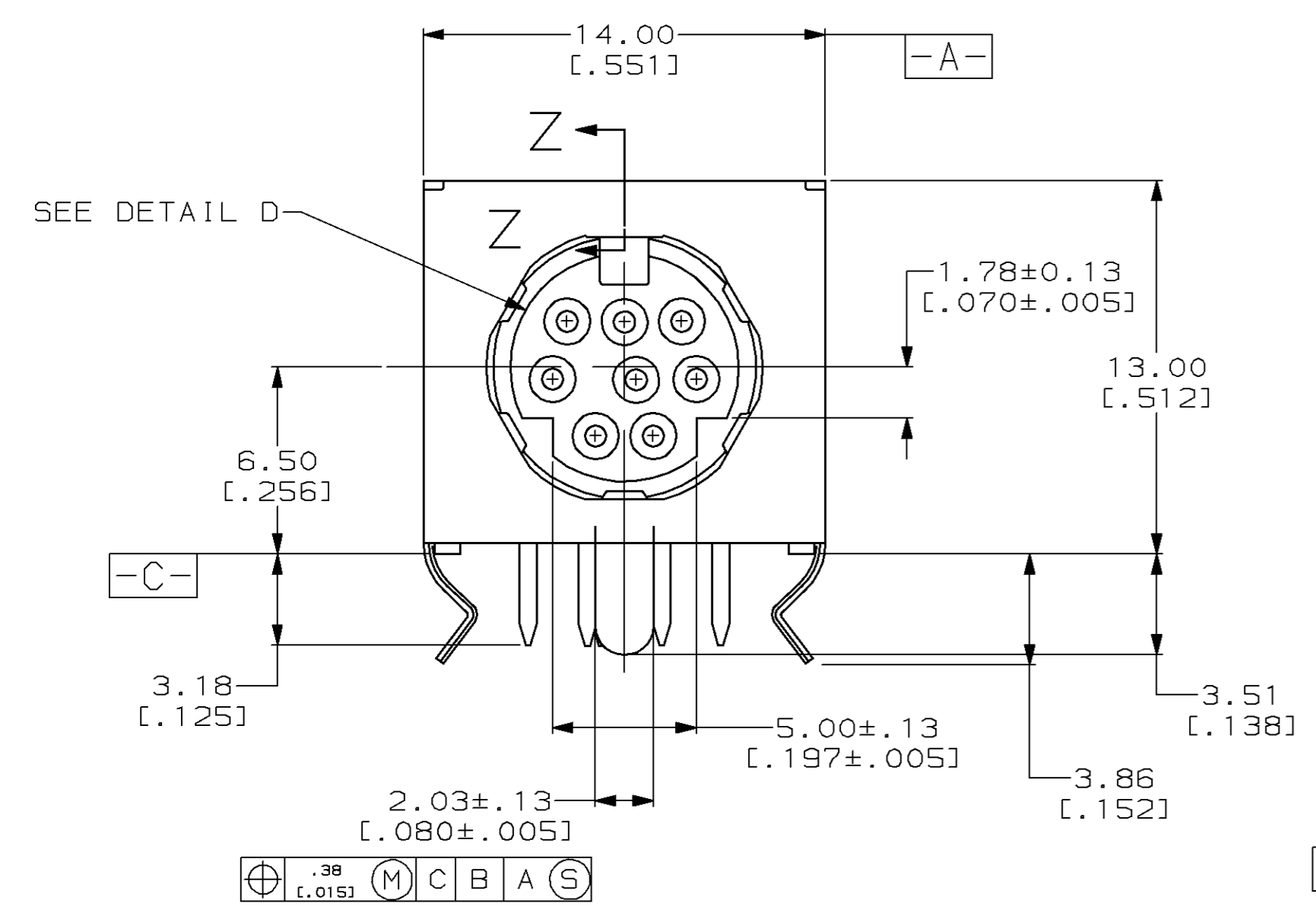
LOC	DIST	P	F	ZONE	LTR	REVISIONS	DATE	APPD
BD	26							
						O	RLSE NPR 2275 WAS 88-4837-21	01/05/89
						A	REVISED ECN-BD2959	05/08/89
						B	REVISED ECN BD3043	06/20/88
						C	REV PER ECN BD5426 & ADD -2 PER NPR 3790	10-28-91
						D	REV PER EC 0020-0045-94	02/08/94
						E	REV PER EC 0020-824-95	12 OCT 95
						F	REV PER EC 0020-9-96	22 JAN 96
						G	REV PER EC 0410-95-96	28 FEB 97
						H	OBSELETE -2 PER EC 0410-194-96	08 SEP 97
						J	REV PER EC 0410-281-97	28 SEP 97
						K	REV PER EC 0410-410-97	05 FEB 98



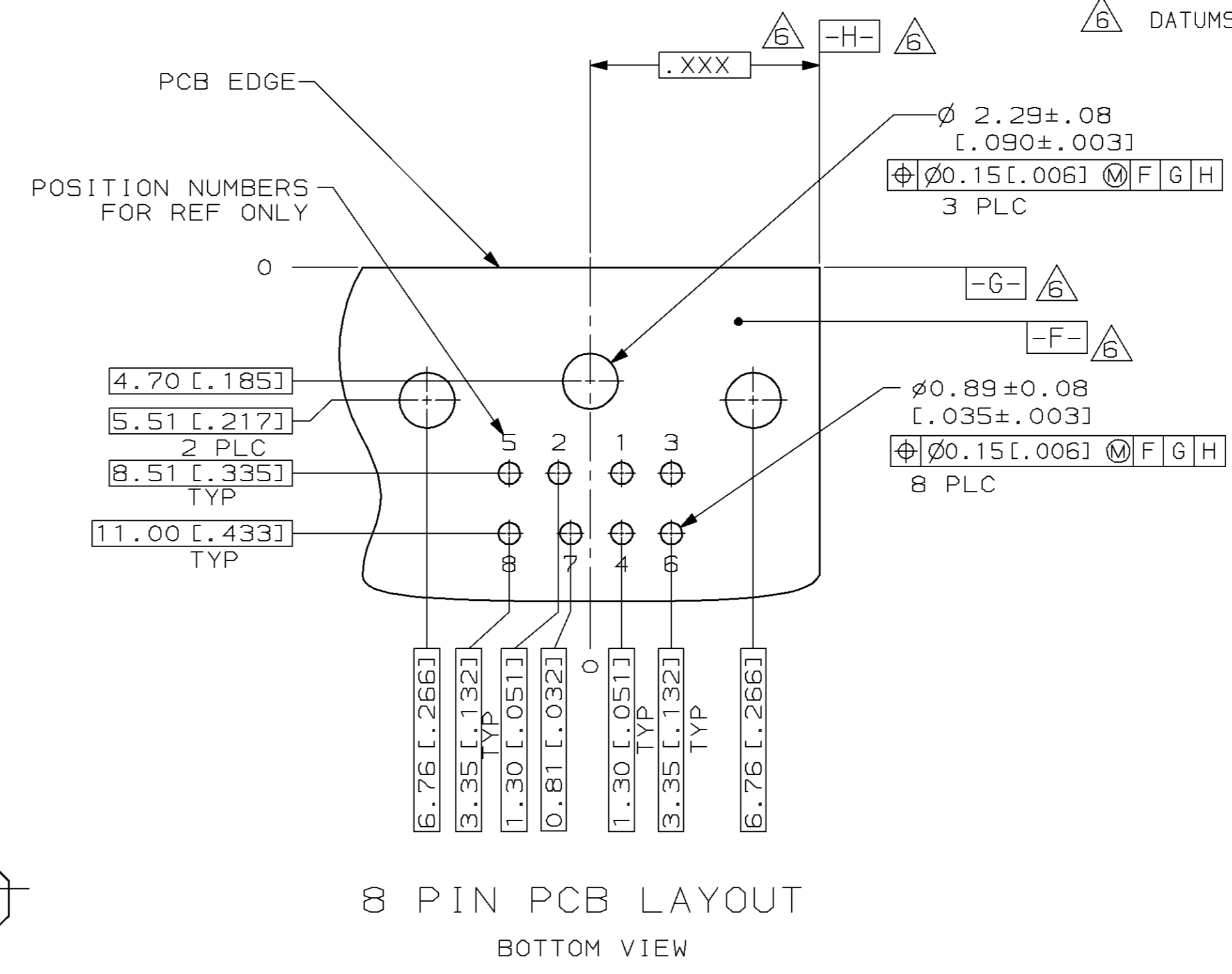
SECTION Z-Z  
SCALE 10:1



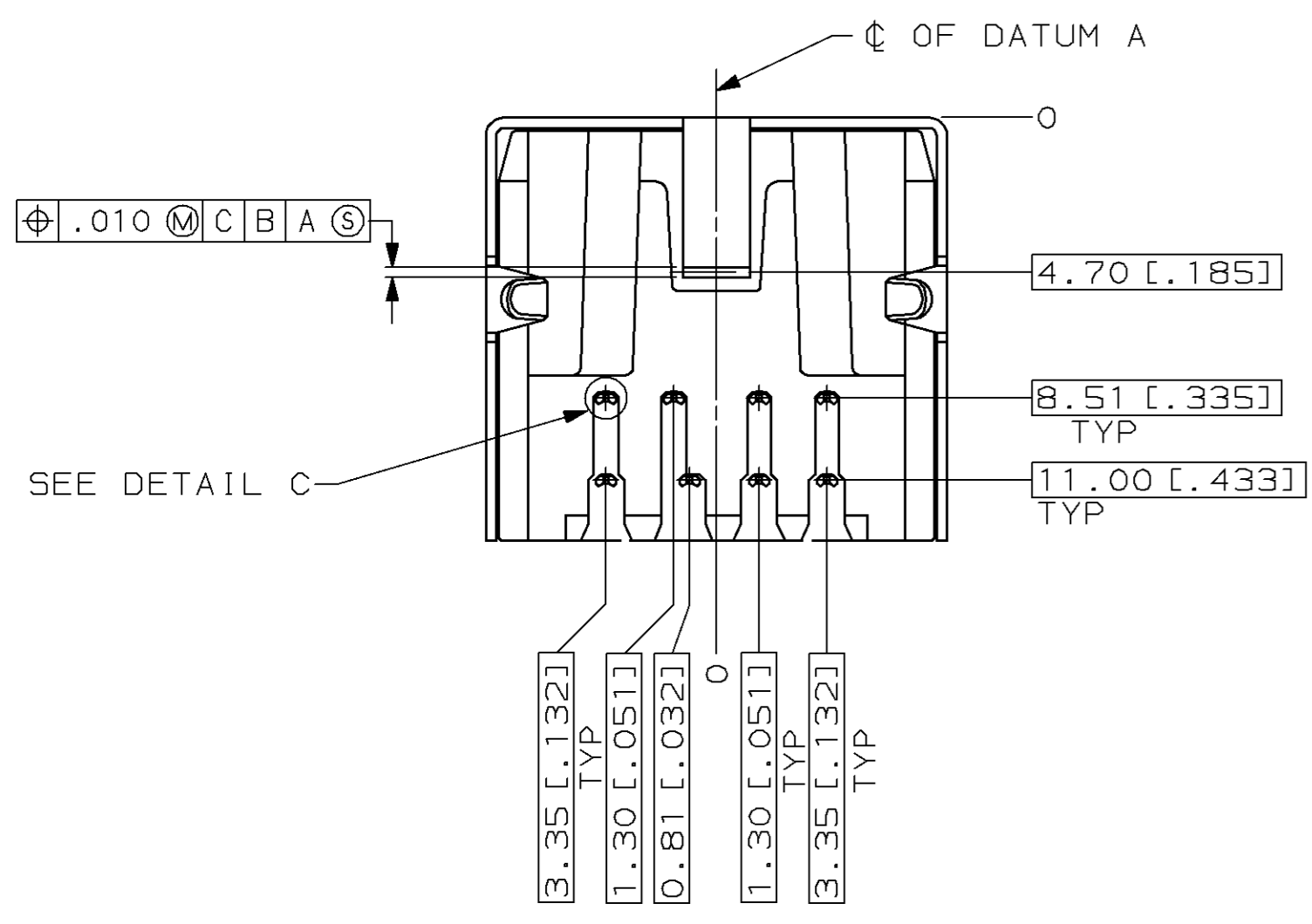
DETAIL D  
8 PIN FACE



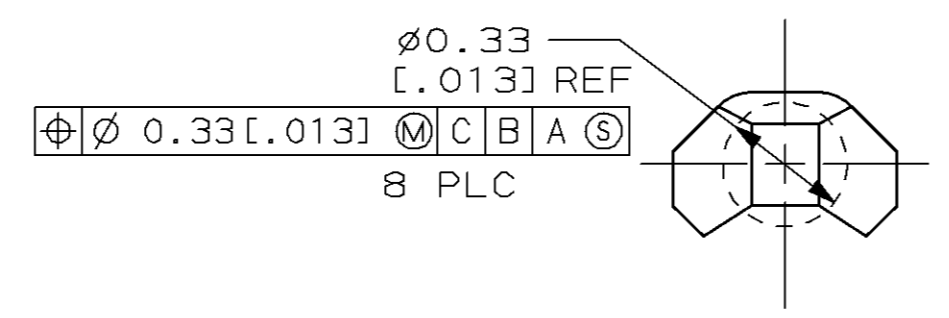
-B-



8 PIN PCB LAYOUT  
BOTTOM VIEW



SEE DETAIL C



DETAIL C  
SCALE 50:1

- ① RECEPTACLE CONTACTS: COPPER ALLOY.  
RECEPTACLE SHIELD: COPPER ALLOY.  
HOUSING: THERMOPLASTIC, COLOR; SEE TABLE, UL 94V-0 RATED.
- ② PLATING:  
RECEPTACLE CONTACTS - GOLD PLATED .00076 MIN [.000030 MIN] THICK  
ON MATING END, TIN-LEAD PLATED .0030 MIN [.000120 MIN] THICK  
ON SOLDER TAIL ALL OVER .0013 MIN [.000050 MIN] THICK NICKEL.
- ③ PLATING:  
SHIELD: 1.50-4.00µm [.000059-.000158] THICK BRIGHT TIN.
- 4. RECEPTACLE ASSEMBLY MATES WITH 8 PIN 9.00±.10 [.354±.004] DIAMETER PLUG.
- ⑤ SEE RESTRICTED CUSTOMER DRAWING 749179-3.
- ⑥ DATUMS AND BASIC DIMENSION SUPPLIED BY CUSTOMER.

	-	⑤
OBSELETE	GRAY	749179-2
	BLACK	749179-1
HOUSING COLOR	PART NO	
	PART NO	

DO NOT SCALE PRINT. UNLESS SPECIFIED DIMENSIONS IN mm [INCHES] TOLERANCES ON: 3 PLC DEC ± 0.381 [.015] ANGLES ± 0°30'	DR 1-23-89 P. COSMOS CHK 1-23-89 C. OHL APPD 1-23-89 B.H. MOSSER APPD 1-23-89 E.C. MYERS	<b>AMP</b>   AMP INCORPORATED Harrisburg, Pa. 17105 NAME RECEPTACLE ASSY W/HOLD DOWN, 8 POS RIGHT ANGLE, MINIATURE CIRCULAR DIN		
MATERIAL	PRODUCT SPEC 108-1225	SIZE <b>D</b>	FSCM NO 00779	DRAWING NO 749179
FINISH	APPLICATION SPEC	SCALE 5:1	SHEET 1 OF 1	
WEIGHT				